

CHAPTER 4

Aluminum

Featured Products in this Chapter



- ▶ Continuous Hinge with Clamps, Type 12 P. 300
- ▶ Continuous Hinge with Clamps, Type 4X P. 302
- ▶ COMPACT®, Type 4X P. 306

CHAPTER CONTENTS

Aluminum Wall-Mount Enclosures

Clamp Cover

Continuous Hinge with Clamps, Type 12	300
Clamp-Cover, Type 4X	302
Continuous Hinge with Clamps, Type 4X	304

COMPACT® Cast Aluminum Type 4X Enclosures & Accessories

COMPACT®, Type 4X

COMPACT®, Type 4X	306
Hinge Kit	308
Mounting Bracket Kits	308
Panels	308
DIN Type Rails	308
Aluminum Type 4X Accessory Selection Matrix	309

Clamp Cover

Continuous Hinge with Clamps, Type 12



Industry Standards

UL 50, 50E Listed; Type 12, 13; File No. E27567
cUL Listed per CSA C22.2 No 94; Type 12, 13; File No. E27567

NEMA/EEMAC Type 12, 13
CSA File No. 42184: Type 12
IEC 60529, IP65
Meets NEMA Type 3RX requirements

Application

Lightweight enclosures protect components and controls in indoor applications.

Specifications

- Type 5052 H-32 aluminum .080-in. (2-mm) thick
- Seams continuously welded and ground smooth
- Stainless steel screws and clamps secure cover
- Cover removed by pulling stainless steel continuous hinge pin
- Oil-resistant gasket
- Weldnuts furnished for mounting optional panels and terminal block kits

Finish

Enclosures are unpainted. Cover and sides of body have smooth brushed finish.

Accessories

Industrial Corrosion Inhibitors, page 1316
Fast-Operating Clamp-Cover Junction Box Clamp, page 1309
Lock Kit for Clamp Cover Junction Boxes, page 1304
Panels for Junction Boxes, page 1266
Junction Box and Wall-Mount Enclosure Swing-Out Panel Kit, page 1268

Modification and Customization

Hoffman excels at modifying and customizing products to your specifications. Contact your local Hoffman sales office or distributor for complete information.

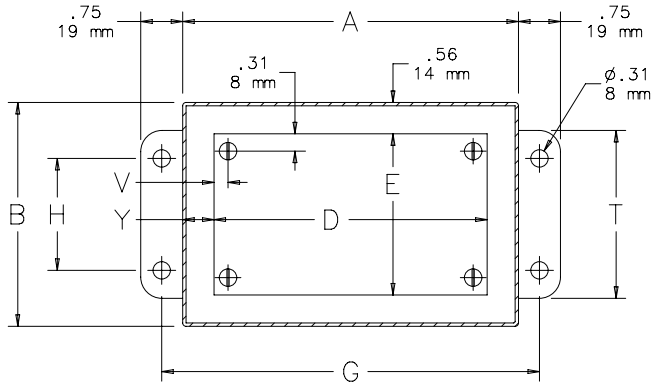
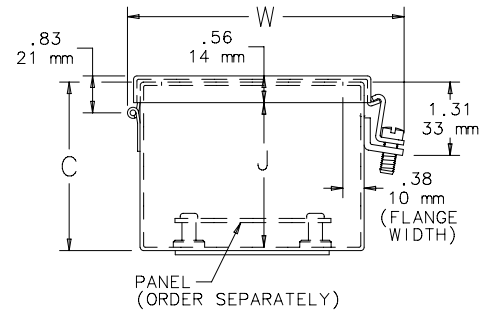
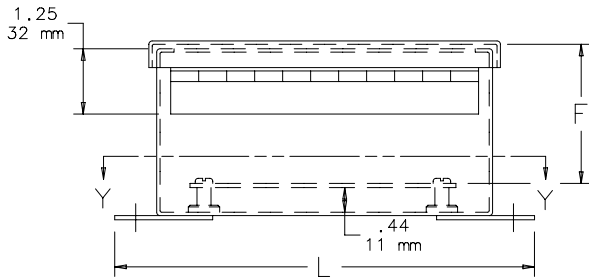
Bulletin: A51A

Standard Product

Catalog Number	AxBxC		Aluminum Panel	Steel Panel	Conductive Panel	Panel Size		Overall							
	in./mm	in./mm				D x E	G x H	L x W	F	J	P	T	V	Y	
A606CHAL	6.00 x 6.00 x 4.00		A6P6AL	A6P6	A6P6G	4.88 x 4.88	6.75 x 4.00	7.50 x 6.94	3.50	3.56	2.38	5.00	0.31	0.56	
	152 x 152 x 102					124 x 124	171 x 102	191 x 176	89	90	60	127	8	14	
A8064CHAL	8.00 x 6.00 x 4.00		A8P6AL	A8P6	A8P6G	6.75 x 4.88	8.75 x 4.00	9.50 x 6.94	3.50	3.56	3.38	5.00	0.25	0.62	
	203 x 152 x 102					171 x 124	222 x 102	241 x 176	89	90	86	127	6	16	
A1008CHAL	10.00 x 8.00 x 4.00		A10P8AL	A10P8	A10P8G	8.75 x 6.88	10.75 x 6.00	11.50 x 8.94	3.50	3.56	1.50	7.00	0.25	0.62	
	254 x 203 x 102					222 x 175	273 x 152	292 x 227	89	90	38	178	6	16	
A12106CHAL	12.00 x 10.00 x 6.00		A12P10AL	A12P10	A12P10G	10.75 x 8.88	12.75 x 8.00	13.50 x 10.94	5.50	5.56	2.00	9.00	0.25	0.62	
	305 x 254 x 152					273 x 225	324 x 203	343 x 278	140	141	51	229	6	16	
A1412CHAL	14.00 x 12.00 x 6.00		A14P12AL	A14P12	A14P12G	12.75 x 10.88	14.75 x 10.00	15.50 x 12.94	5.50	5.56	3.00	11.00	0.25	0.62	
	356 x 305 x 152					324 x 276	375 x 254	394 x 329	140	141	76	279	6	16	
A1614CHAL	16.00 x 14.00 x 6.00		A16P14AL	A16P14	A16P14G	14.75 x 12.88	16.75 x 12.00	17.50 x 14.94	5.50	5.56	1.50	13.00	0.25	0.62	
	406 x 356 x 152					375 x 327	425 x 305	445 x 379	140	141	38	330	6	16	

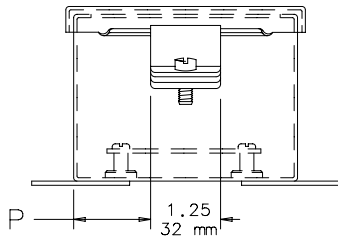
Purchase panels separately. Optional stainless steel, composite and aluminum panels are also available for most sizes.

Clamp Cover

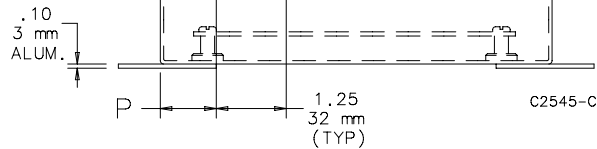


SECTION Y-Y

- NOTES: 1. Aluminum panels are .080 in. (2mm) thick.
2. Steel panels are 14 gauge.
3. Stainless steel panel screws are #10-32 pan head.



View showing clamp end of box when one clamp is used.



View showing clamp end of box when two clamps are used. When A > 8.00 (203 mm), use two clamps.



Clamp Cover

Clamp-Cover, Type 4X



Application

This lightweight enclosure protects components and controls in corrosive indoor or outdoor environments.

Specifications

- Type 5052 H-32 aluminum, 0.080-in. (2-mm) thick
- Seams continuously welded and ground smooth
- Stainless steel screws and clamps on four sides of cover
- Oil-resistant gasket
- Weldnuts provided for mounting optional panels

Finish

Enclosures are unpainted. Cover and sides of body have smooth brushed finish. Optional aluminum panels are unpainted. Optional steel panels are painted white. Optional conductive panels are available.

Accessories

Industrial Corrosion Inhibitors, page 1316
Fast-Operating Clamp-Cover Junction Box Clamp, page 1309
Panels for Junction Boxes, page 1266
Junction Box and Wall-Mount Enclosure Swing-Out Panel Kit, page 1268
Terminal Block Kit Assembly for Junction Boxes Overview, page 1318

Modification and Customization

Hoffman excels at modifying and customizing products to your specifications. Contact your local Hoffman sales office or distributor for complete information.

Bulletin: A51A

Industry Standards

UL 50, 50E Listed; Type 3R, 4, 4X, 12; File No. E27525
cUL Listed per CSA C22.2 No 94; Type 3R, 4, 4X, 12; File No. E27525
UL 508A Listed; Type 3R, 4, 4X, 12; File No. E61997
cUL Listed per CSA C22.2 No 94; Type 3R, 4, 4X, 12; File No. E61997

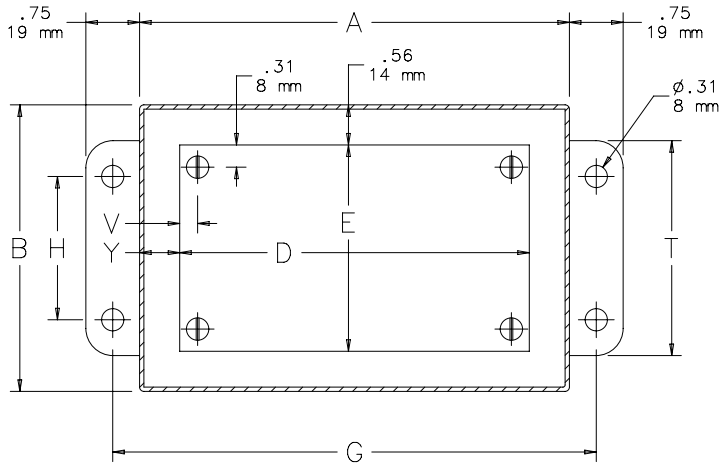
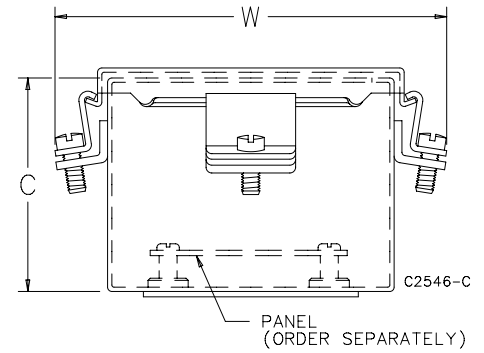
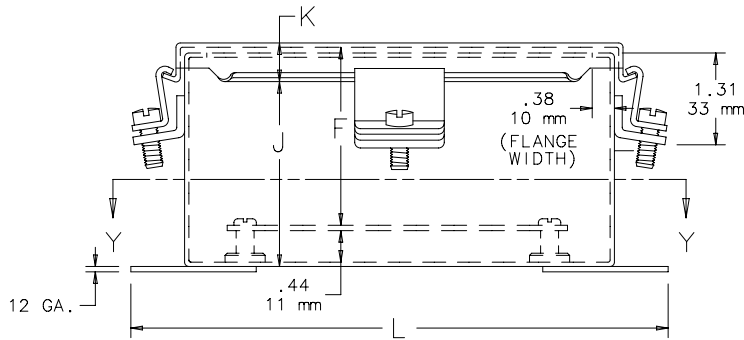
NEMA/EEMAC Type 3R, 4, 4X, 12, 13
CSA File No. 42184: Type 4, 4X, 12
IEC 60529, IP66
Meets NEMA Type 3RX requirements

Standard Product

Catalog Number	AxBxC in./mm	UL Listed	Aluminum Panel	Steel Panel	Conductive Panel	Panel Size D x E in./mm	Mounting G x H in./mm	Overall L x W in./mm	F in./ mm	J in./ mm	M in./ mm	N in./ mm	T in./ mm	V in./ mm	Y in./ mm
A604NFAL	6.00 x 4.00 x 3.00 152 x 102 x 76	508A	A6P4AL	A6P4	A6P4G	4.88 x 2.88 124 x 73	6.75 x 2.00 171 x 51	7.50 x 5.38 191 x 137	2.50 64	2.50 64	1.38 35	2.38 60	3.00 76	0.31 8	0.56 14
A806NFAL	8.00 x 6.00 x 3.50 203 x 152 x 89	50, 50E	A8P6AL	A8P6	A8P6G	6.75 x 4.88 171 x 124	8.75 x 4.00 222 x 102	9.50 x 7.38 241 x 187	3.00 76	3.00 76	2.38 60	3.38 86	5.00 127	0.25 6	0.62 16
A606NFAL	6.00 x 6.00 x 4.00 152 x 152 x 102	50, 50E	A6P6AL	A6P6	A6P6G	4.88 x 4.88 124 x 124	6.75 x 4.00 171 x 102	7.50 x 7.38 191 x 187	3.50 89	3.50 89	2.38 60	2.38 60	5.00 127	0.31 8	0.56 14
A1008NFAL	10.00 x 8.00 x 4.00 254 x 203 x 102	50, 50E	A10P8AL	A10P8	A10P8G	8.75 x 6.88 222 x 175	10.75 x 6.00 273 x 152	11.50 x 9.38 292 x 238	3.50 89	3.50 89	3.38 86	1.00 25	7.00 178	0.25 6	0.62 16
A1210NFAL	12.00 x 10.00 x 5.00 305 x 254 x 127	50, 50E	A12P10AL	A12P10	A12P10G	10.75 x 8.88 273 x 225	12.75 x 8.00 324 x 203	13.50 x 11.38 343 x 289	4.50 114	4.50 114	2.00 51	1.50 38	9.00 229	0.25 6	0.62 16
A1412NFAL	14.00 x 12.00 x 6.00 356 x 305 x 152	50, 50E	A14P12AL	A14P12	A14P12G	12.75 x 10.88 324 x 276	14.75 x 10.00 375 x 254	15.50 x 13.38 394 x 340	5.50 140	5.50 140	2.00 51	3.00 76	11.00 279	0.25 6	0.62 16
A1614NFAL	16.00 x 14.00 x 6.00 406 x 356 x 152	50, 50E	A16P14AL	A16P14	A16P14G	14.75 x 12.88 375 x 327	16.75 x 12.00 425 x 305	17.50 x 15.38 445 x 391	5.50 140	5.50 140	3.00 76	1.50 38	13.00 330	0.25 6	0.62 16

Purchase panels separately. Optional stainless steel, composite and aluminum panels are available for most sizes.

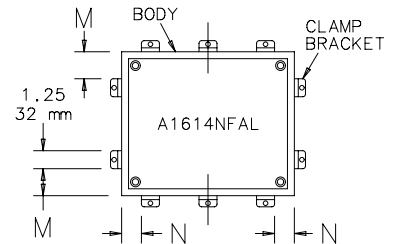
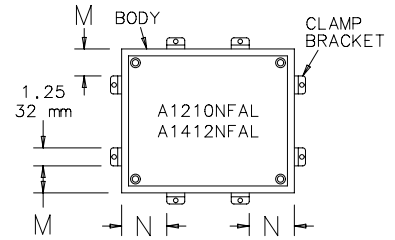
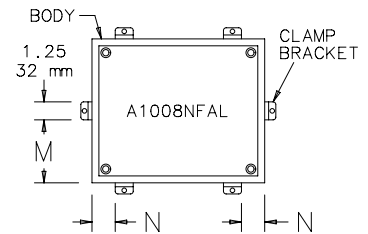
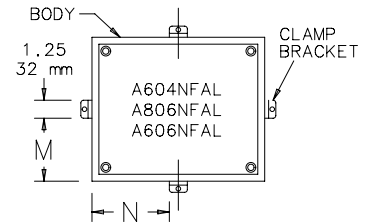
Clamp Cover



SECTION Y-Y

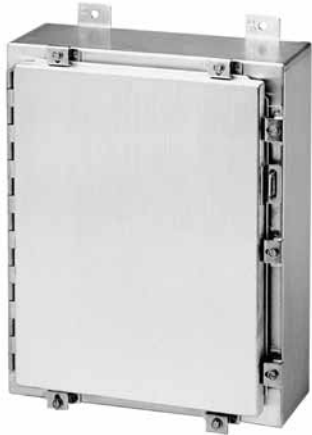
- NOTES: 1. Aluminum panels are .080 (2mm) thick.
2. Steel panels are 14 gauge.
3. Stainless steel panel screws are #10-32 pan head.

CLAMP BRACKET LOCATIONS



Clamp Cover

Continuous Hinge with Clamps, Type 4X



Industry Standards

UL 508A Listed; Type 3R, 4, 4X, 12; File No. E61997
cUL Listed per CSA C22.2 No 94; Type 3R, 4, 4X, 12; File No. E61997

NEMA/EEMAC Type 3R, 4, 4X, 12, 13
CSA File No. 42186: Type 4, 4X, 12
IEC 60529, IP66
Meets NEMA Type 3RX requirements

Application

Lightweight enclosure protects components and controls in corrosive indoor or outdoor environments such as traffic, outside plant, telecommunications and marine environments.

Specifications

- Type 5052 H-32 aluminum
- Seams continuously welded and ground smooth
- Rolled lip around three sides of door and all sides of enclosure opening
- Stainless steel door clamp assemblies
- Door is easily removed by pulling stainless steel continuous hinge pin
- Data pocket is high-impact thermoplastic
- Hasp and staple for padlocking
- Panel screws are plated
- Tapped pads provided for mounting optional panels
- Oil-resistant gasket

Finish

Enclosures are unpainted. Door fronts have smooth brushed finish.

Accessories

Fast-Operating Clamp Assembly, page 1309
Panels for Type 3R, 4, 4X, 12 and 13 Enclosures, page 1270
 Rack Mounting Angle Kit - L Style, page 1354
 Junction Box and Wall-Mount Enclosure Swing-Out Panel Kit, page 1268
 Terminal Block Kit Assembly for Type 4, 12 and 13 Enclosures Overview, page 1320
 Steel and Stainless Steel Window Kits, page 1284

Modification and Customization

Hoffman excels at modifying and customizing products to your specifications. Contact your local Hoffman sales office or distributor for complete information.

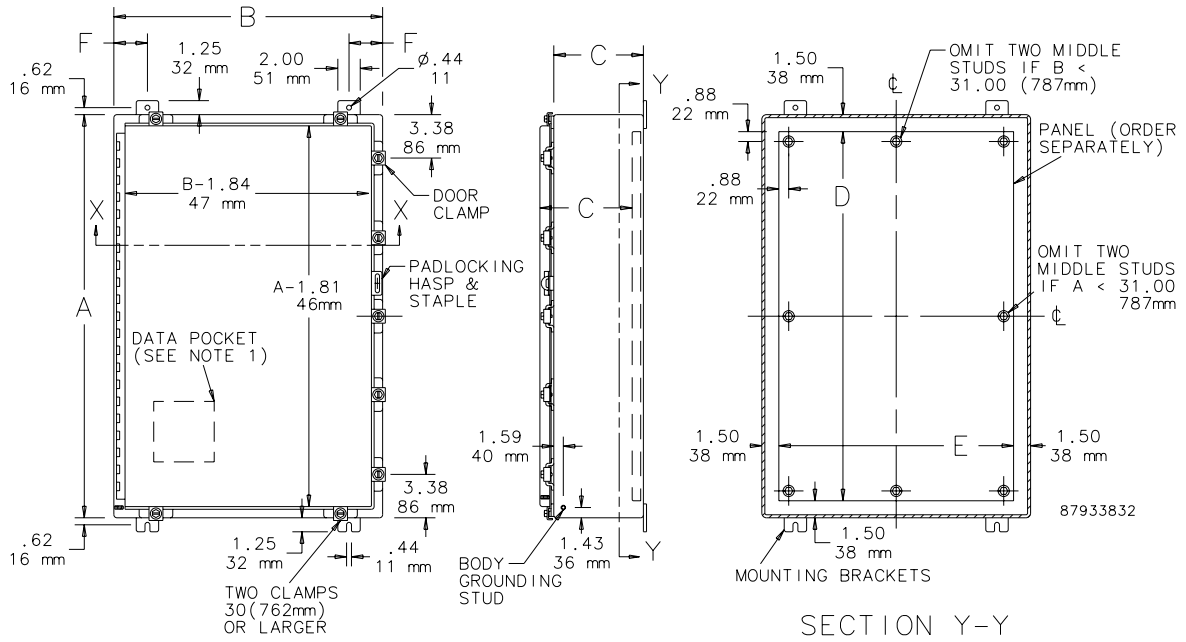
Bulletin: A4A

Standard Product

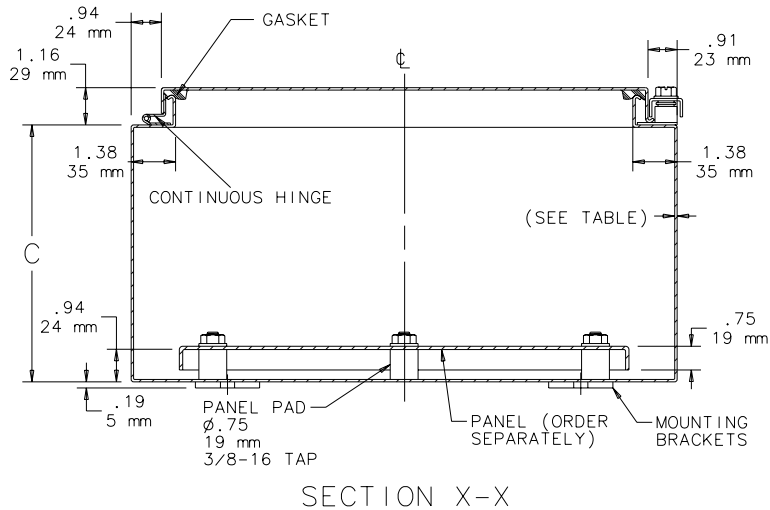
Catalog Number	AxBxC in./mm	Aluminum Panel	Steel Panel	Conductive Panel	Panel Size D x E in./mm	F in./mm	Number of Clamps
A16H1206ALLP	16.00 x 12.00 x 6.00 406 x 305 x 152	A16P12AL	A16P12	A16P12G	13.00 x 9.00 330 x 229	1.25 32	4
A20H1606ALLP	20.00 x 16.00 x 6.00 508 x 406 x 152	A20P16AL	A20P16	A20P16G	17.00 x 13.00 432 x 330	3.00 76	4
A20H2006ALLP	20.00 x 20.00 x 6.00 508 x 508 x 152	A20P20AL	A20P20	A20P20G	17.00 x 17.00 432 x 432	3.00 76	4
A24H2006ALLP	24.00 x 20.00 x 6.00 610 x 508 x 152	A24P20AL	A24P20	A24P20G	21.00 x 17.00 533 x 432	3.00 76	5
A16H1608ALLP	16.00 x 16.00 x 8.00 406 x 406 x 203	A16P16AL	A16P16	A16P16G	13.00 x 13.00 330 x 330	3.00 76	4
A24H2408ALLP	24.00 x 24.00 x 8.00 610 x 610 x 203	A24P24AL	A24P24	A24P24G	21.00 x 21.00 533 x 533	3.00 76	5
A30H2408ALLP	30.00 x 24.00 x 8.00 762 x 610 x 203	A30P24AL	A30P24	A30P24G	27.00 x 21.00 686 x 533	3.00 76	5
A36H2408ALLP	36.00 x 24.00 x 8.00 914 x 610 x 203	A36P24AL	A36P24	A36P24G	33.00 x 21.00 838 x 533	3.00 76	5
A36H3008ALLP	36.00 x 30.00 x 8.00 914 x 762 x 203	A36P30AL	A36P30	A36P30G	33.00 x 27.00 838 x 686	3.00 76	7
A48H3608ALLP	48.00 x 36.00 x 8.00 1219 x 914 x 203	A48P36AL	A48P36	A48P36G	45.00 x 33.00 1143 x 838	3.00 76	8
A20H1610ALLP	20.00 x 16.00 x 10.00 508 x 406 x 254	A20P16AL	A20P16	A20P16G	17.00 x 13.00 432 x 330	3.00 76	4
A24H2010ALLP	24.00 x 20.00 x 10.00 610 x 508 x 254	A24P20AL	A24P20	A24P20G	21.00 x 17.00 533 x 432	3.00 76	5
A30H2412ALLP	30.00 x 24.00 x 12.00 762 x 610 x 305	A30P24AL	A30P24	A30P24G	27.00 x 21.00 686 x 533	3.00 76	5
A36H3012ALLP	36.00 x 30.00 x 12.00 914 x 762 x 305	A36P30AL	A36P30	A36P30G	33.00 x 27.00 838 x 686	3.00 76	7
A60H3612ALLP	60.00 x 36.00 x 12.00 1524 x 914 x 305	A60P36AL	A60P36	A60P36G	57.00 x 33.00 1448 x 838	3.00 76	9

Purchase panels separately.

Clamp Cover



- NOTES: 1. Removable data pocket included.
 Large data pocket 12.00 x 12.00 (305mm x 305m) when A > 30 (762mm)
 small data pocket 6.00 x 6.00 (152mm x 152mm) when A < 30 (762mm)
 2. Maximum spacing between door clamps is 15.00 (382mm).



COMPACT®, Type 4X



Industry Standards

UL 508A Listed; Type 4, 4X, 12, 13; File No. E61997

NEMA/EEMAC Type 4, 4X, 12, 13
CSA File No. 42186: Type 4, 4X, 12, 13
IEC 60529, IP66

Application

For use in indoor or outdoor applications, these stylized enclosures protect components and controls in corrosive environments.

Specifications

- Cast aluminum; no welded seams or sharp corners
- Stainless steel captivated cover screws placed outside sealed area
- Two to four grounding screws located on enclosure back wall
- Oil-resistant O-ring gasket
- Tongue-and-groove sealing construction
- Threaded internal bosses provided for mounting optional panels, rails and other components
- Mounting holes provided in corners outside of gasketed area

Finish

RAL 7042 gray finish inside and out.

Accessories

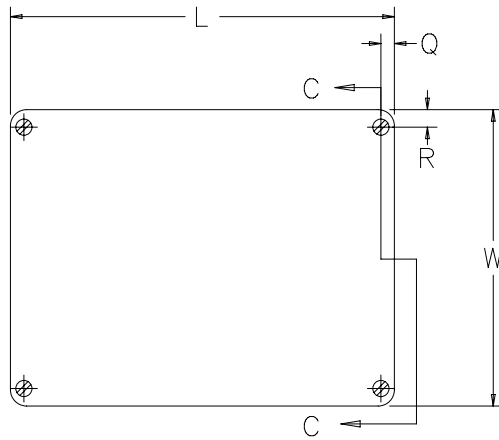
Hinge Kit, page 308
Mounting Bracket Kits, page 308
Panels, page 308
DIN Type Rails, page 308
Bulletin: CA1

Standard Product

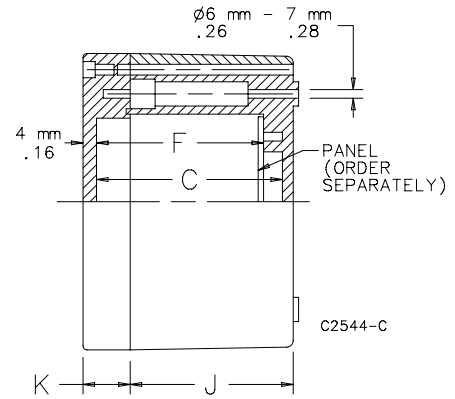
Catalog Number	AxBxC mm/in.	External Dimensions		Conductive Panel	Panel Size D x E mm/in.	Mounting						
		L x W mm/in.				G x H mm/in.	F mm/in.	J mm/in.	K mm/in.	M mm/in.	N mm/in.	T mm/in.
CCA886	67 x 72 x 47	75 x 80		CCAP88	64 x 69	52 x 63	41	41	13	30	48	4
	2.64 x 2.83 x 1.85	2.95 x 3.15			2.52 x 2.72	2.05 x 2.48	1.61	1.61	0.51	1.18	1.89	0.16
CCA1286	116 x 71 x 51	125 x 80		CCAP128	114 x 69	52 x 113	45	42	15	30	48	4
	4.57 x 2.80 x 2.01	4.92 x 3.15			4.49 x 2.72	2.05 x 4.45	1.77	1.65	0.59	1.18	1.89	0.16
CCA1886	167 x 72 x 47	175 x 80		CCAP188	164 x 69	52 x 163	41	41	13	30	48	4
	6.57 x 2.83 x 1.85	6.89 x 3.15			6.46 x 2.72	2.05 x 6.42	1.61	1.61	0.51	1.18	1.89	0.16
CCA12128	122 x 122 x 80	122 x 122		CCAP1212	109 x 108	82 x 106	63	60	20	52	—	4
	4.80 x 4.80 x 3.10	4.80 x 4.80			4.29 x 4.26	3.23 x 4.17	2.48	2.36	0.79	2.05	—	0.16
CCA22128	220 x 120 x 80	220 x 122		CCAP2212	204 x 108	82 x 204	63	60	20	52	—	4
	8.70 x 4.70 x 3.10	8.66 x 4.80			8.04 x 4.26	3.23 x 8.03	2.48	2.36	0.79	2.05	—	0.16
CCA16169	160 x 160 x 90	160 x 160		CCAP1616	146 x 146	110 x 140	73	70	20	76	—	4
	6.30 x 6.30 x 3.50	6.30 x 6.30			5.75 x 5.75	4.33 x 5.51	2.87	2.76	0.79	2.99	—	0.16
CCA26169	260 x 160 x 90	260 x 160		CCAP2616	246 x 146	110 x 240	73	70	20	76	—	4
	10.20 x 6.30 x 3.50	10.23 x 6.30			9.69 x 5.75	4.33 x 9.45	2.87	2.76	0.79	2.99	—	0.16
CCA36169	360 x 160 x 90	360 x 160		CCAP3616	346 x 146	110 x 340	73	70	20	76	—	4
	14.20 x 6.30 x 3.50	14.17 x 6.30			13.63 x 5.75	4.33 x 13.39	2.87	2.76	0.79	2.99	—	0.16
CCA202311	200 x 230 x 110	200 x 230		CCAP2023	185 x 215	180 x 180	93	90	20	80	144	4
	7.90 x 9.10 x 4.30	7.87 x 9.06			7.29 x 8.47	7.09 x 7.09	3.66	3.54	0.79	3.15	5.67	0.16
CCA332311	330 x 230 x 110	330 x 230		CCAP3323	315 x 215	180 x 310	93	90	20	80	144	4
	13.00 x 9.10 x 4.30	12.99 x 9.06			12.41 x 8.47	7.09 x 12.21	3.66	3.54	0.79	3.15	5.67	0.16
CCA332318	330 x 230 x 180	330 x 230		CCAP3323	315 x 215	180 x 310	162	160	20	100	144	4
	13.00 x 9.10 x 7.10	12.99 x 9.06			12.41 x 8.47	7.09 x 12.21	6.38	6.30	0.79	3.94	5.67	0.16

A x B x C are internal dimensions.
Purchase panels separately.
CCA886, CCA1286 and CCA1886 enclosures have only two mounting holes.

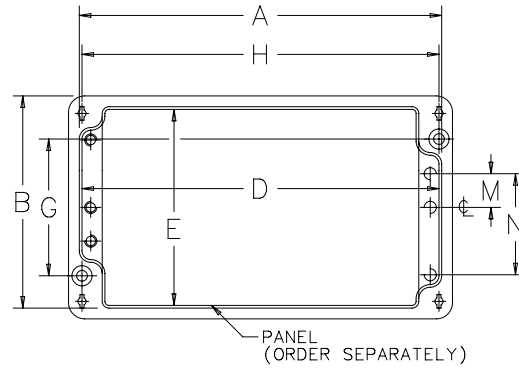
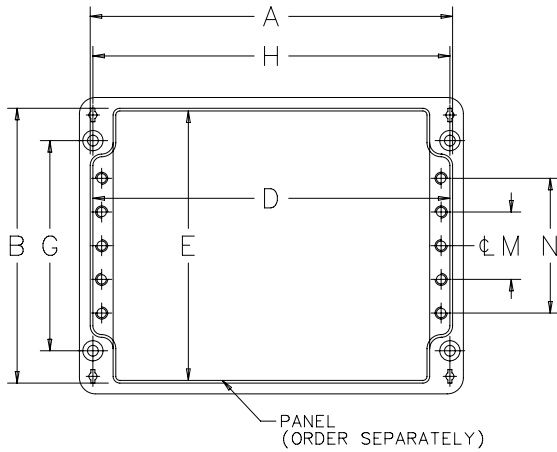




TOP VIEW



SECTION C-C



(CCA86, CCA1286, CCA1886 ONLY)

TOP VIEW WITH COVER REMOVED



COMPACT®, Type 4X

Hinge Kit



Made of die-cast aluminum. Angle rotation approximately 170 degrees. Mounting template and stainless steel hardware included. Two hinges per kit.

Hinge kit not available for CCA886, CCA1286 or CCA1886.

Bulletin: CC1

Catalog Number	Product Weight (lb.)
CCAHK	0.1

Mounting Bracket Kits



Mounting brackets are made of non-corrosive 12 gauge steel alloy. Two or four brackets per kit. Stainless steel mounting screws and installation instructions are included.

Bulletin: CA1

Catalog Number	Description	Fits
CCAMF12	Two brackets	Enclosures CCA12128 and CCA22128
CCAMF16	Two brackets	Enclosures CCA16169 and CCA36169
CCAMF31	Four brackets	Enclosures CCA202311, CCA332311 and CCA332318

Panels



Made of plated steel. Permits electro-mechanical components to be mounted inside the enclosure.

Bulletin: CA1P

Catalog Number	Panel Size D x E (mm)	Panel Size D x E (in.)
CCAP88	64 x 69	2.52 x 2.72
CCAP128	114 x 69	4.49 x 2.72
CCAP188	164 x 69	6.46 x 2.72
CCAP1212	109 x 108	4.29 x 4.26
CCAP2212	204 x 108	8.04 x 4.26
CCAP1616	146 x 146	5.75 x 5.75
CCAP2616	246 x 146	9.69 x 5.75
CCAP3616	346 x 146	13.63 x 5.75
CCAP2023	185 x 215	7.29 x 8.47
CCAP3323	315 x 215	12.41 x 8.47
CCAP4031	387 x 294	15.25 x 11.58
CCAP6031	585 x 294	23.05 x 11.58

DIN Type Rails



DIN Type Rails receive terminal blocks, relays, switches, filters, timers and various other electrical and electronic components. Lengths fit size of enclosure. All DIN rails made of plated steel.

Bulletin: CA1

Catalog Number	Description	Fits
CCADR851	Plated DIN rail Type TS-15	A = 67mm
CCADR1251	Plated DIN rail Type TS-15	A = 116mm
CCADR1851	Plated DIN rail Type TS-15	A = 167mm
CCADR1252	Plated DIN rail Type TS-35	A = 116mm
CCADR2252	Plated DIN rail Type TS-35	A = 210mm
CCADR1652	Plated DIN rail Type TS-35	A = 149mm
CCADR2652	Plated DIN rail Type TS-35	A = 249mm
CCADR3652	Plated DIN rail Type TS-35	A = 349mm
CCADR2052	Plated DIN rail Type TS-35	A = 189mm
CCADR3352	Plated DIN rail Type TS-35	A = 313mm

Aluminum Type 4X Accessory Selection Matrix

Catalog Number	CCA886	CCA1286	CCA1886	CCA12128	CCA22128	CCA16169	CCA26169	CCA36169	CCA202311	CCA332311	CCA332318
Hinge Kit											
CCAHK				•	•	•	•	•	•	•	•
Mounting Bracket Kit											
CCAMF12				•	•						
CCAMF16						•		•			
CCAMF31									•	•	•
Panels											
CCAP88	•										
CCAP128		•									
CCAP188			•								
CCAP1212				•							
CCAP2212					•						
CCA01616						•					
CCAP2616							•				
CCAP3616								•			
CCAP2023									•		
CCAP3323										•	•
DIN Type Rails											
CCADR851	•										
CCADR1251		•									
CCADR1851			•								
CCADR1252				•							
CCADR2252					•						
CCADR1652						•					
CCADR2652							•				
CCADR3652								•			
CCADR2052									•		
CCADR3352										•	•

