

GENESIS® Indoor Air Conditioners



M28 Model

M17 Model

**M52 460 Volt
3-Phase Model**

The specifier's choice for cooling industrial process controls



GENESIS® Indoor Air Conditioners

PRODUCT OVERVIEW

The Type 12 air conditioner of choice for light-duty manufacturing process control applications. Compact, narrow and 460 volt 3-phase models available.

APPLICATIONS

- Industrial drive enclosures
- Automotive assembly systems
- Material handling applications
- Other process control systems

GENESIS Indoor Air Conditioners Chapter Contents

Indoor Air Conditioners	76
M13 Models 1000 BTU	77
M17 Models 1800 BTU	79
M28 Models 2200 BTU	81
M28 Models 4000 BTU	82
M28 Models 6000 BTU	83
M33 Models 4000 BTU	85
M36 Models 6000 BTU	87
M52-3 3-Phase Models 4100-10000 BTU.....	89

Indoor Air Conditioners



M17
1800 BTU/Hr.
527 Watts



M28
2200-6000 BTU/Hr.
645-1758 Watts



M36
6000 BTU/Hr.
1760 Watts



M52 3-Phase
4100-10000 BTU/Hr.
1201-2930 Watts

Industry Standards

UL/cUL Listed

- CE
- Type 12

Application

- Industrial automation
- Package handling equipment
- Security and defense systems
- And more

Features

- Robust reciprocating compressor
- R134a or R407c earth-friendly refrigerant and RoHS compliant
- Models for 115, 230 and 460 single phase AC volt power input
- UL Listed or Recognized to save customers time and money with agency approvals
- Operating temperature range from 50 F/10 C to 125 F/52 C
- Attractive industrial design with minimal use of visible fasteners
- Reliable mechanical thermostat located behind the filter of the unit. Indoor Air Conditioner models include digital display on ambient side.
- Low-carbon mild-steel sheet-metal cover for rugged factory and outdoor environments
- Easy-mount flanges for simple installation
- Cleanable, reusable aluminum mesh filter to protect coils for maximum cooling performance
- Mounting hardware, gaskets and user manual furnished with the unit
- Every unit functionally tested before shipping

- Standard Indoor Air Conditioner models also include:
 - Electro-Mechanical Thermostat
 - Surge Suppressor
 - Condensate Management System

Finish

- RAL 7042 gray, semi-gloss powder-coat paint standard
- Other colors and textures available

Options

- Thermostat Malfunction Package
- Special Voltage Package
- Active Condensate Evaporator Package
- Outdoor Package*
- Harsh Environment Package*
- Stainless Steel Package*
- Heater Package*
 - * T-Series or PROAIR™ may be more appropriate. Refer to T-Series A/C and PROAIR A/C Chapters. Consult the Factory for availability and catalog number.

Notes

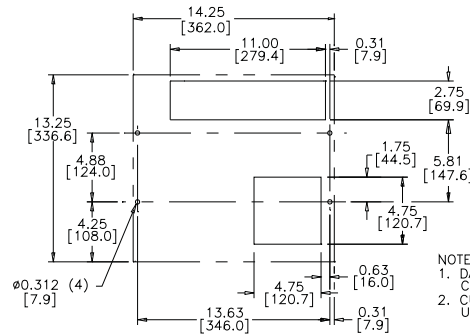
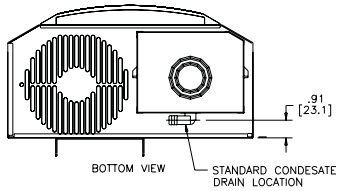
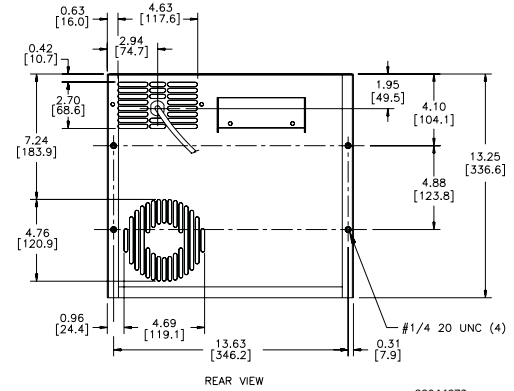
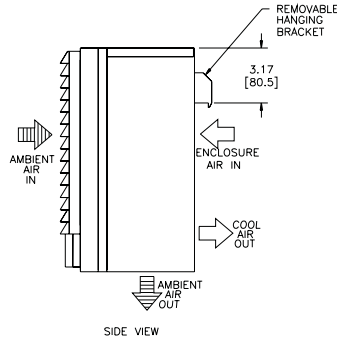
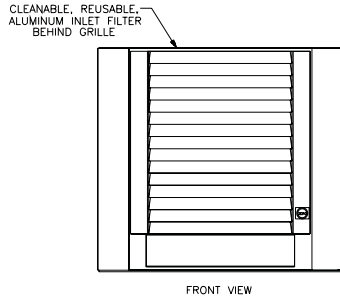
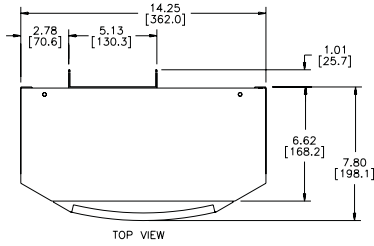
NOTE: M28 4000 and 6000 BTU/Hr. units are scheduled to be made obsolete June 30, 2011. Please refer to the SPECTRACOOL™ G28 at the front of this catalog.

Visit www.McLeanCoolingTech.com to download 2D and 3D CAD drawings into the overall design of your electronic system.

Performance Data **M13 Models 1000 BTU/Hr. (293 W)**

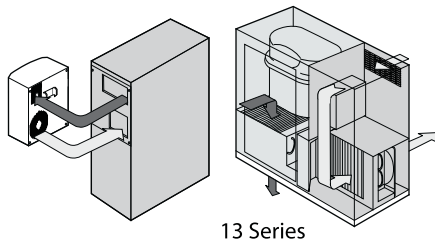
CATALOG NUMBER	M130116G1014	M130126G1008	M130146G400
COOLING PERFORMANCE			
Nominal:			
BTUs/Hr.	800/1000	800/1000	800/1000
Watts	234/293	234/293	234/293
Refrigerant	R-134A	R-134A	R-134A
Refrigerant Charge (ounces/grams)	5.5/156	5.5/156	5.5/156
Operating Temperature Range:			
Maximum (°F/°C)	125/52	125/52	125/52
Minimum (°F/°C)	50/10	50/10	50/10
Airflow at 0 Static Pressure:			
Internal loop 50 Hz (CFM / m ³ /hr.)	71/121	75/127	75/127
External loop 50 Hz (CFM / m ³ /hr.)	75/127	71/121	71/121
	74/126	78/132	78/132
External loop 60 Hz (CFM / m ³ /hr.)	78/132	74/126	74/126
ELECTRICAL DATA			
Rated Voltage	115	230	460V 1PH
Frequency (Hz)	50/60	50/60	50/60
Operating Range	+/- 10%	+/- 10%	+/- 10%
Max. Power Consumption (W at 50/60 Hz)	460	483	552
Max. Nominal Current (A at 50/60 Hz)	4	2.2/2.1	1.2
Starting Current (A)	18	8.5	5
Agency Approvals	cUL Listed CE		cUR Recognized CE
	Others available upon request		
Power Input Description	6-ft. cord with NEMA 5-15 plug	6-ft. cord with NEMA 6-15 plug	6-ft. cord with wire leads
ENCLOSURE PROTECTION			
UL Type	Type 12 standard		
CONTROLLER			
Description	Basic mechanical thermostat		
Thermostat Location	Behind filter		
Factory Thermostat Setting (°F/°C)	80/27		
SOUND LEVEL			
At 1.5 Meters	56 dB(A)		
UNIT CONSTRUCTION			
Material	Mild steel sheet metal standard Stainless steel optional		
Finish	RAL 7042 gray, semi-gloss powder-coat paint standard		
UNIT DIMENSIONS			
Height (in./mm)	13.25/337	13.25/337	17.75/450.9
Width (in./mm)	14.25/362	14.25/362	14.25/362
Depth (in./mm)	7.8/198	7.8/198	7.8/198
Weight (lb./kg)	48/22	48/22	58/26

M13 Models 1000 BTU/Hr. (293 Watt)



NOTES:
1. DASHED LINES REPRESENT AIR CONDITIONER.
2. CUT-OUT DIMENSIONS FOR STANDARD UNITS ONLY.

Cutout Instructions



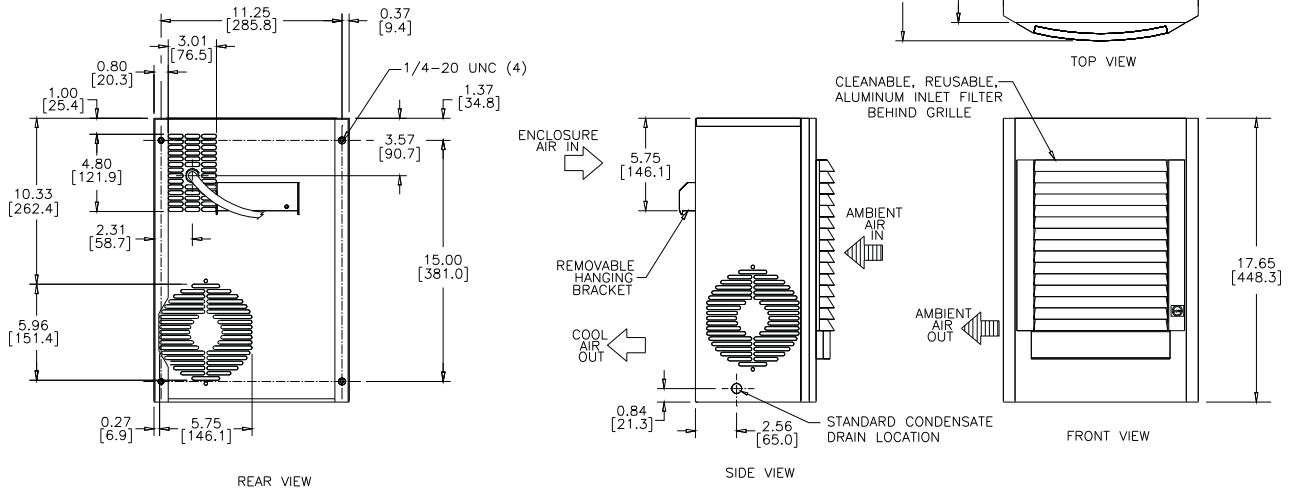
13 Series

Visit www.McLeanCoolingTech.com to download 2D and 3D CAD drawings into the overall design of your electronic system.

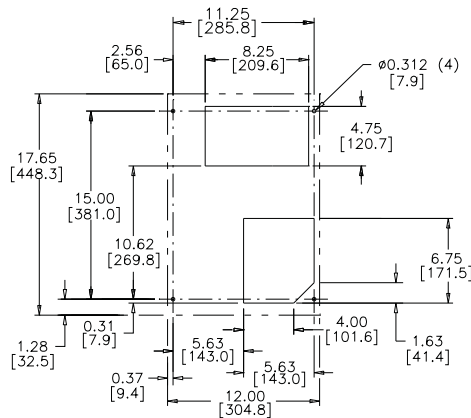
Performance Data **M17 Models 1800 BTU/Hr. (527 W)**

CATALOG NUMBER	M170216G009	M170226G004	M170246G400
COOLING PERFORMANCE			
Nominal:			
BTUs/Hr.	1500/1800	1500/1800	1500/1800
Watts	440/527	440/527	440/527
Refrigerant	R-134A	R-134A	R-134A
Refrigerant Charge (ounces/grams)	6/170	6/170	6/170
Operating Temperature Range:			
Maximum (°F/°C)	125/52	125/52	125/52
Minimum (°F/°C)	50/10	50/10	50/10
Airflow at 0 Static Pressure:			
Internal loop 50 Hz (CFM / m ³ /hr.)	67/114	125/212	125/212
External loop 50 Hz (CFM / m ³ /hr.)	112/190	144/245	144/245
Internal loop 60 Hz (CFM / m ³ /hr.)	79/134	125/212	125/212
External loop 60 Hz (CFM / m ³ /hr.)	130/221	161/274	161/274
ELECTRICAL DATA			
Rated Voltage	110/115	220/230	460V 1PH
Frequency (Hz)	50/60	50/60	50/60
Operating Range	+/- 10%	+/- 10%	+/- 10%
Max. Power Consumption (W at 50/60 Hz)	726/770.5	924/851	1058/920
Max. Nominal Current (A at 50/60 Hz)	6.6/6.7	4.2/3.7	2.3/2.0
Starting Current (A)	28	14.4	7.4
Agency Approvals	cUL Listed CE	Others available upon request	cUR Recognized CE
Power Input Description	6-ft. cord with NEMA 5-15 plug	6-ft. cord with NEMA 6-15 plug	6-ft. cord with wire leads
ENCLOSURE PROTECTION			
UL Type	Type 12 standard		
CONTROLLER			
Description	Basic mechanical thermostat		
Thermostat Location	Behind filter		
Factory Thermostat Setting (°F/°C)	80/27		
SOUND LEVEL			
At 1.5 Meters	60 dB(A)		
UNIT CONSTRUCTION			
Material	Mild steel sheet metal standard Stainless steel optional		
Finish	RAL 7042 gray, semi-gloss powder-coat paint standard		
UNIT DIMENSIONS			
Height (in./mm)	17.65/448	17.65/448	22.15/562.6
Width (in./mm)	12/305	12/305	12/305
Depth (in./mm)	8.68/220	8.68/220	8.68/220
Weight (lb./kg)	56/25	56/25	66/30

M17 Models 1800 BTU/Hr. (527 Watt)

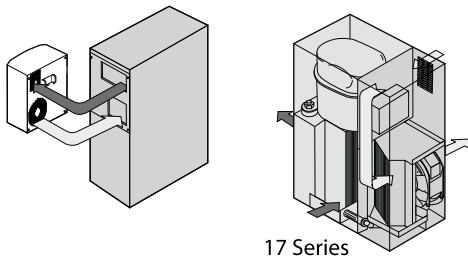


89044974



- NOTES:
 1. DASHED LINES REPRESENT AIR CONDITIONER.
 2. CUT-OUT DIMENSIONS FOR STANDARD UNITS ONLY

Cutout Instructions



Visit www.McLeanCoolingTech.com to download 2D and 3D CAD drawings into the overall design of your electronic system.

Performance Data **M28 Models 2200 BTU/Hr. (645 W)**

CATALOG NUMBER	M280216G013	M280226G004	M280246G400
COOLING PERFORMANCE			
Nominal:			
BTUs/Hr.	2200/2200	2200/2200	2200/2200
Watts	645/645	645/645	645/645
Refrigerant	R-134A	R-134A	R-134A
Refrigerant Charge (ounces/grams)	11/312	10/284	10/284
Operating Temperature Range:			
Maximum (°F/°C)	125/52	125/52	125/52
Minimum (°F/°C)	50/10	50/10	50/10
Airflow at 0 Static Pressure:			
Internal loop 50 Hz (CFM / m ³ /hr.)	146/248	175/297	175/297
External loop 50 Hz (CFM / m ³ /hr.)	230/391	225/382	225/382
Internal loop 60 Hz (CFM / m ³ /hr.)	170/289	210/357	210/357
External loop 60 Hz (CFM / m ³ /hr.)	260/442	255/433	255/433
ELECTRICAL DATA			
Rated Voltage	115	230	460V 1PH
Frequency (Hz)	50/60	50/60	50/60
Operating Range	+/- 10%	+/- 10%	+/- 10%
Max. Power Consumption (W at 50/60 Hz)	1127/1035	1150/1035	1288/1150
Max. Nominal Current (A at 50/60 Hz)	9.8/9.0	5.0/4.5	2.8/2.5
Starting Current (A)	28	14.4	7.4
Agency Approvals	cUL Listed CE		cUR Recognized CE
	Others available upon request		
Power Input Description	6-ft. cord with NEMA 5-15 plug	6-ft. cord with NEMA 6-15 plug	6-ft. cord with wire leads
ENCLOSURE PROTECTION			
UL Type	Type 12 standard		
CONTROLLER			
Description	Basic mechanical thermostat		
Thermostat Location	Behind filter		
Factory Thermostat Setting (°F/°C)	80/27		
SOUND LEVEL			
At 1.5 Meters	55 dB(A)		
UNIT CONSTRUCTION			
Material	Mild steel sheet metal standard Stainless steel optional		
Finish	RAL 7042 gray, semi-gloss powder-coat paint standard		
UNIT DIMENSIONS			
Height (in./mm)	28.5/724	28.5/724	28.5/724
Width (in./mm)	17/432	17/432	17/432
Depth (in./mm)	11.3/288	11.3/288	11.3/288
Weight (lb./kg)	98/45	98/45	108/49

Performance Data **M28 Models 4000 BTU/Hr. (1172 W)**

CATALOG NUMBER			
	M280416G007	M280426G032	M280446G400
COOLING PERFORMANCE			
Nominal:			
BTUs/Hr.	3800/4000	3800/4000	3800/4000
Watts	1114/1172	1114/1172	1114/1172
Refrigerant	R-134A	R-134A	R-134A
Refrigerant Charge (ounces/grams)	11/312	11/312	11/312
Operating Temperature Range:			
Maximum (°F/°C)	125/52	125/52	125/52
Minimum (°F/°C)	50/10	50/10	50/10
Airflow at 0 Static Pressure:			
Internal loop 50 Hz (CFM / m ³ /hr.)	153/260	146/248	146/248
External loop 50 Hz (CFM / m ³ /hr.)	230/391	225/382	225/382
Internal loop 60 Hz (CFM / m ³ /hr.)	174/296	166/282	166/282
External loop 60 Hz (CFM / m ³ /hr.)	260/442	255/433	255/433
ELECTRICAL DATA			
Rated Voltage	115	230	460V 1PH
Frequency (Hz)	50/60	50/60	50/60
Operating Range	+/- 10%	+/- 10%	+/- 10%
Max. Power Consumption (W at 50/60 Hz)	1679/1610	1702/1587	1886/1748
Max. Nominal Current (A at 50/60 Hz)	14.6/14.0	7.4/6.9	4.1/3.8
Starting Current (A)	48	23	12
Agency Approvals	cUL Listed CE		cUR Recognized CE
	Others available upon request		
Power Input Description	NEMA 5-20 plug on 6-ft. cord	NEMA 6-15 plug on 6-ft. cord	6-ft. cord with wire terminations
ENCLOSURE PROTECTION			
UL Type	Type 12 standard		
CONTROLLER			
Description	Basic mechanical thermostat		
Thermostat Location	Behind filter		
Factory Thermostat Setting (°F/°C)	80/27		
SOUND LEVEL			
At 1.5 Meters	62 dB(A)		
UNIT CONSTRUCTION			
Material	Mild steel sheet metal standard Stainless steel optional		
Finish	RAL 7042 gray, semi-gloss powder-coat paint standard		
UNIT DIMENSIONS			
Height (in./mm)	28.5/724	28.5/724	28.5/724
Width (in./mm)	17/432	17/432	17/432
Depth (in./mm)	11.3/288	11.3/288	11.3/288
Weight (lb./kg)	116/53	116/53	136/62

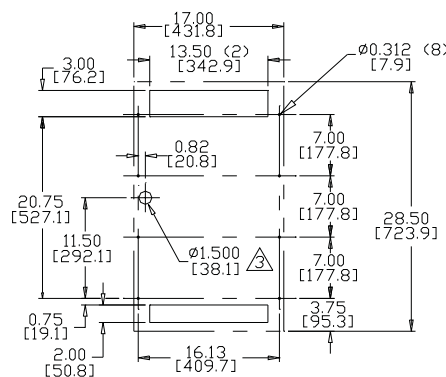
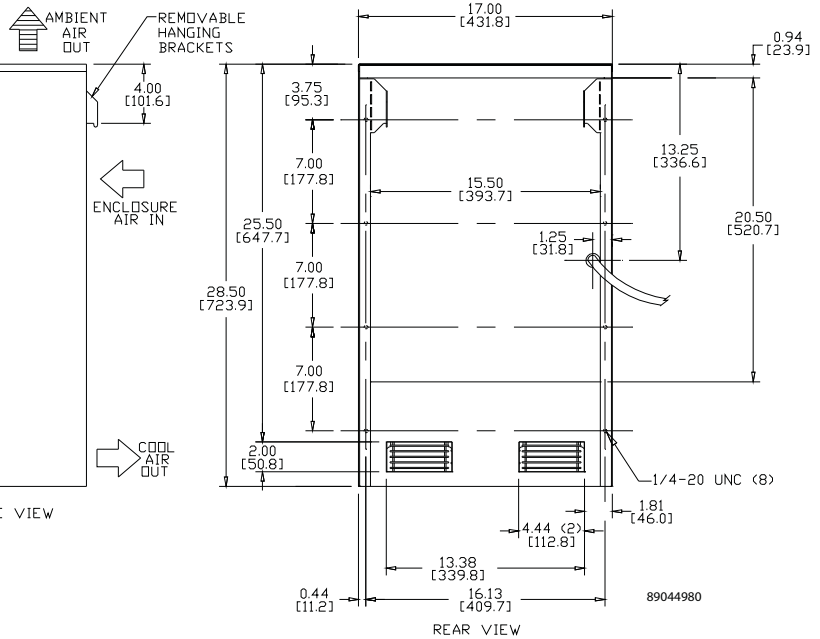
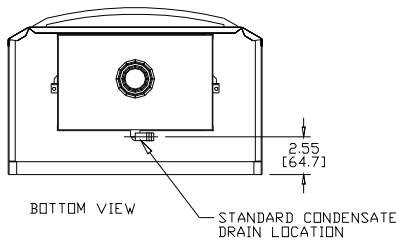
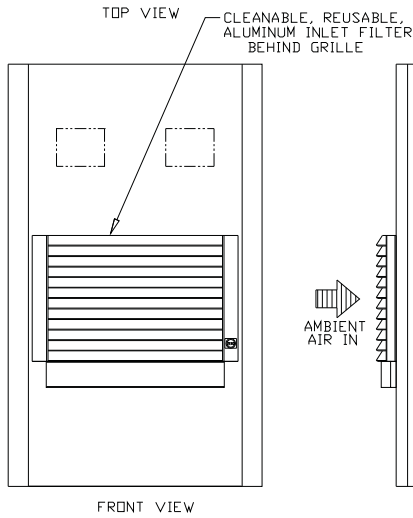
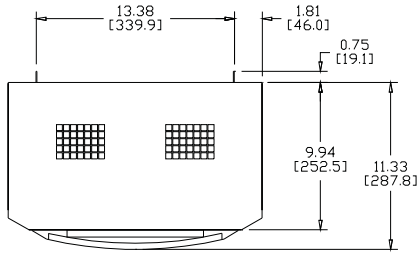
NOTE: These units are scheduled to be made obsolete June 30, 2011. Please refer to the SPECTRACOOL™ G28 at the front of this catalog.

Technical Data **M28 Models 6000 BTU/Hr. (1758 W)**

CATALOG NUMBER	M280616G005	M280626G005	M280646G400
COOLING PERFORMANCE			
Nominal:			
BTUs/Hr.	5400/6000	5400/6000	5400/6000
Watts	1582/1758	1582/1758	1582/1758
Refrigerant	R-134A	R-134A	R-134A
Refrigerant Charge (ounces/grams)	15/425	15/425	15/425
Operating Temperature Range:			
Maximum (°F/°C)	125/52	125/52	125/52
Minimum (°F/°C)	50/10	50/10	50/10
Airflow at 0 Static Pressure:			
Internal loop 50 Hz (CFM / m ³ /hr.)	153/260	146/248	146/248
External loop 50 Hz (CFM / m ³ /hr.)	325/552	325/552	325/552
Internal loop 60 Hz (CFM / m ³ /hr.)	174/296	166/282	166/282
External loop 60 Hz (CFM / m ³ /hr.)	373/634	373/634	373/634
ELECTRICAL DATA			
Rated Voltage	115	230	460V 1PH
Frequency (Hz)	50/60	50/60	50/60
Operating Range	+/- 10%	+/- 10%	+/- 10%
Max. Power Consumption (W at 50/60 Hz)	1886/1978	1840	2024
Max. Nominal Current (A at 50/60 Hz)	16.4/17.2	8	4.4
Starting Current (A)	58.8	27.4	14
Agency Approvals	cUR Recognized CE	cUL Listed CE	cUR Recognized CE
Power Input Description	6-ft. cord with wire leads	6-ft. cord with NEMA 6-15 plug	6-ft. cord with wire leads
ENCLOSURE PROTECTION			
UL Type	Type 12 standard		
CONTROLLER			
Description	Basic mechanical thermostat		
Thermostat Location	Behind filter		
Factory Thermostat Setting (°F/°C)	80/27		
SOUND LEVEL			
At 1.5 Meters	62 dB(A)		
UNIT CONSTRUCTION			
Material	Mild steel sheet metal standard Stainless steel optional		
Finish	RAL 7042 gray, semi-gloss powder-coat paint standard		
UNIT DIMENSIONS			
Height (in./mm)	28.5/724		
Width (in./mm)	17/432		
Depth (in./mm)	11.3/288		
Weight (lb./kg)	120/55	120/55	150/68

NOTE: These units are scheduled to be made obsolete June 30, 2011. Please refer to the SPECTRACOOL™ G28 at the front of this catalog.

M28 Models 2200-6000 BTU/Hr. (645-1758 Watt)



- NOTES:
 1. DASHED LINES REPRESENT AIR CONDITIONER.
 2. CUT-OUT DIMENSIONS FOR STANDARD UNITS ONLY.
 3. THIS HOLE MAY BE DELETED IF THE SERVICE CORD IS ROUTED THROUGH THE 3" x 13-1/2" OPENING. (EXCEPT UNITS WITH ELECTRIC HEAT)

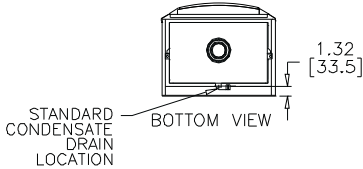
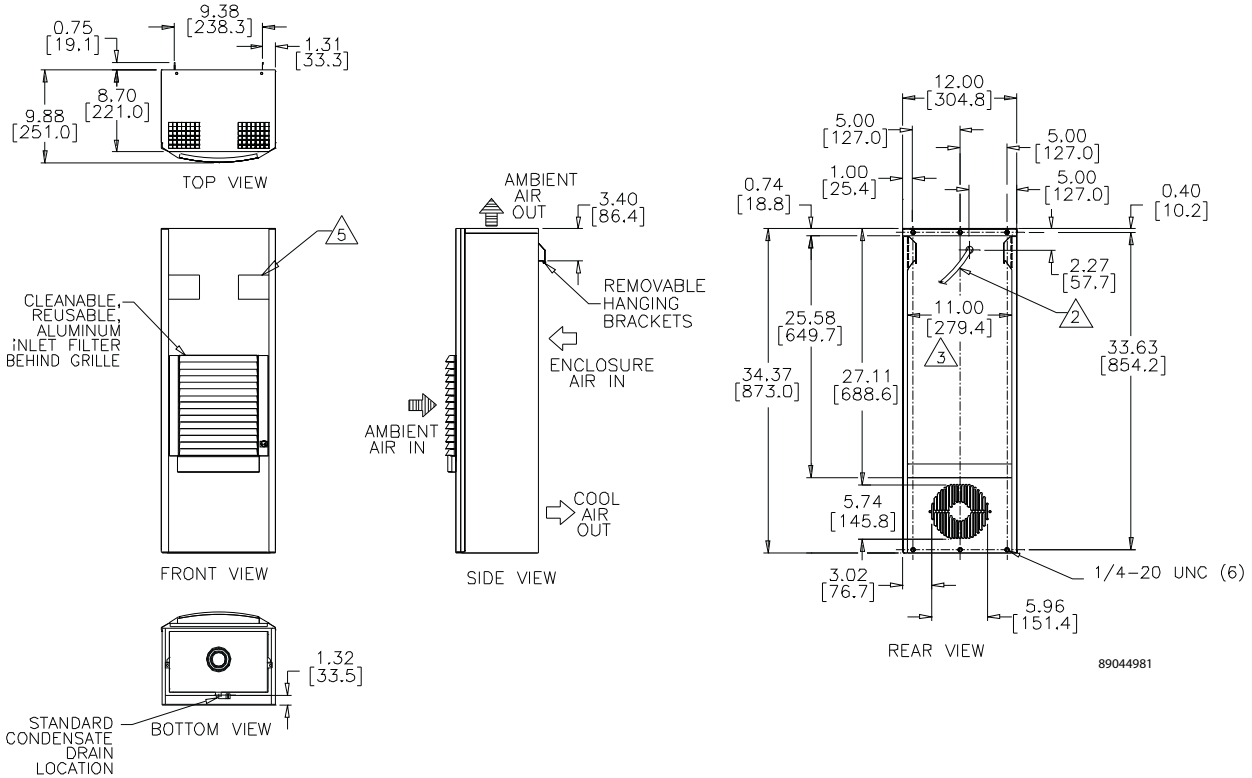
Cutout Instructions

Visit www.McLeanCoolingTech.com to download 2D and 3D CAD drawings into the overall design of your electronic system.

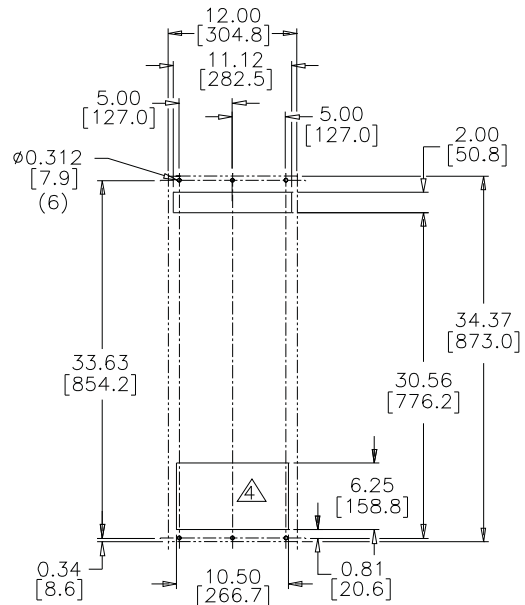
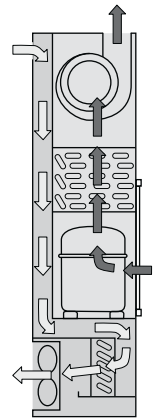
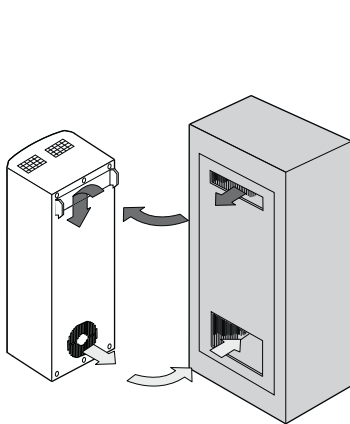
Performance Data **M33 Models 4000 BTU/Hr. (1172 W)**

CATALOG NUMBER			
	M330416G010	M330426G009	M330446G400
COOLING PERFORMANCE			
Nominal:			
BTUs/Hr.	3700/4000	3700/4000	3700/4000
Watts	1084/1172	1084/1172	1084/1172
Refrigerant	R-134A	R-134A	R-134A
Refrigerant Charge (ounces/grams)	14/398	14/398	14/398
Operating Temperature Range:			
Maximum (°F/°C)	125/52	125/52	125/52
Minimum (°F/°C)	50/10	50/10	50/10
Airflow at 0 Static Pressure:			
Internal loop 50 Hz (CFM / m ³ /hr.)	135/229	100/170	100/170
External loop 50 Hz (CFM / m ³ /hr.)	300/510	296/503	296/503
Internal loop 60 Hz (CFM / m ³ /hr.)	145/246	110/187	110/187
External loop 60 Hz (CFM / m ³ /hr.)	355/603	349/593	349/593
ELECTRICAL DATA			
Rated Voltage	115	230	460V 1PH
Frequency (Hz)	50/60	50/60	50/60
Operating Range	+/- 10%	+/- 10%	+/- 10%
Max. Power Consumption (W at 50/60 Hz)	1495/1518	1656/1679	1840
Max. Nominal Current (A at 50/60 Hz)	13.0/13.2	7.2/7.3	4
Starting Current (A)	48	23	12
Agency Approvals	cUL Listed CE		cUR Recognized CE
Power Input Description	6-ft. cord with NEMA 5-20 plug	6-ft. cord with NEMA 6-15 plug	6-ft. cord with wire leads
ENCLOSURE PROTECTION			
UL Type	Type 12 standard		
CONTROLLER			
Description	Basic mechanical thermostat		
Thermostat Location	Behind filter		
Factory Thermostat Setting (°F/°C)	80/27		
SOUND LEVEL			
At 1.5 Meters	61 dB(A)		
UNIT CONSTRUCTION			
Material	Mild steel sheet metal standard Stainless steel optional		
Finish	RAL 7042 gray, semi-gloss powder-coat paint standard		
UNIT DIMENSIONS			
Height (in./mm)	34.37/873	34.37/873	34.37/873
Width (in./mm)	12/305	12/305	12/305
Depth (in./mm)	9.88/251	9.88/251	9.88/251
Weight (lb./kg)	105/48	105/48	125/57

M33 Models 4000 BTU/Hr. (1172 Watt)



GENESIS A/C

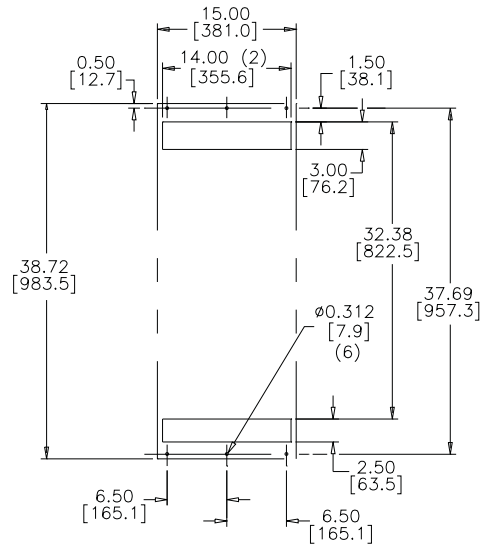
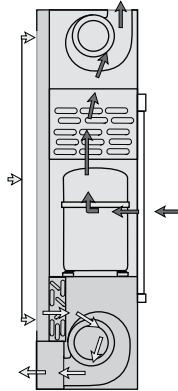
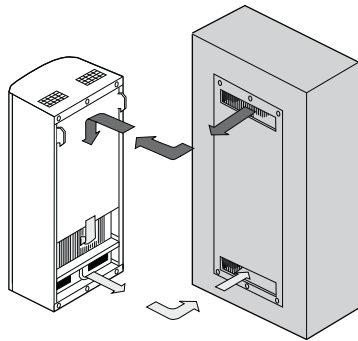
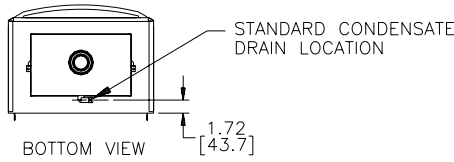
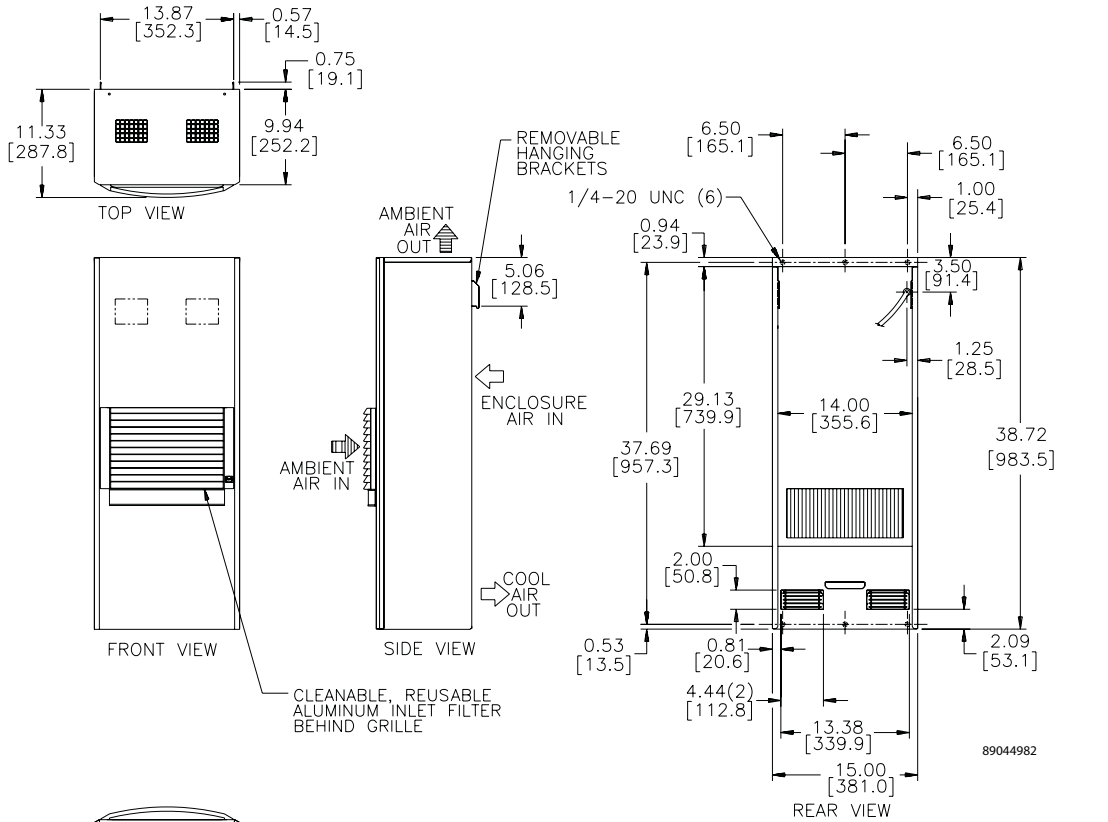


Visit www.McLeanCoolingTech.com to download 2D and 3D CAD drawings into the overall design of your electronic system.

Performance Data **M36 Models 6000 BTU/Hr. (1760 W)**

CATALOG NUMBER			
	M360616G307	M360626G306	M360646G400
COOLING PERFORMANCE			
Nominal:			
BTUs/Hr.	5000/6000	5000/6000	5000/6000
Watts	1465/1760	1465/1760	1465/1760
Refrigerant	R-407C	R-407C	R-407C
Refrigerant Charge (ounces/grams)	18/510	18/510	18/510
Operating Temperature Range:			
Maximum (°F/°C)	125/52	125/52	125/52
Minimum (°F/°C)	50/10	50/10	50/10
Airflow at 0 Static Pressure:			
Internal loop 50 Hz (CFM / m ³ /hr.)	230/391	230/391	230/391
External loop 50 Hz (CFM / m ³ /hr.)	218/370	218/370	218/370
Internal loop 60 Hz (CFM / m ³ /hr.)	260/442	260/442	260/442
External loop 60 Hz (CFM / m ³ /hr.)	245/416	245/416	245/416
ELECTRICAL DATA			
Rated Voltage	115	230	460V 1PH
Frequency (Hz)	50/60	50/60	50/60
Operating Range	+/- 10%	+/- 10%	+/- 10%
Max. Power Consumption (W at 50/60 Hz)	1150	1150	1288
Max. Nominal Current (A at 50/60 Hz)	10	5	2.8
Starting Current (A)	36.2	17.7	9
Agency Approvals	cUL Listed CE		cUR Recognized CE
	Others available upon request		
Power Input Description	6-ft. cord with NEMA 5-20 plug	6-ft. cord with NEMA 6-15 plug	6-ft. cord with wire leads
ENCLOSURE PROTECTION			
UL Type	Type 12 standard		
CONTROLLER			
Description	Basic mechanical thermostat		
Thermostat Location	Behind filter		
Factory Thermostat Setting (°F/°C)	80/27		
SOUND LEVEL			
At 1.5 Meters	60 dB(A)		
UNIT CONSTRUCTION			
Material	Mild steel sheet metal standard Stainless steel optional		
Finish	RAL 7042 gray, semi-gloss powder-coat paint standard		
UNIT DIMENSIONS			
Height (in./mm)	38.72/984	38.72/984	38.72/984
Width (in./mm)	15/381	15/381	15/381
Depth (in./mm)	11.33/288	11.33/288	11.33/288
Weight (lb./kg)	120/54	120/54	140/64

M36 Models 6000 BTU/Hr. (1760 Watt)



NOTES:

1. SERVICE CORD IS ROUTED THROUGH 3.00 X 14.00 RETURN AIR OPENING.
2. DASHED LINES REPRESENT AIR CONDITIONER.
3. CUT-OUT DIMENSIONS FOR STANDARD UNITS ONLY.

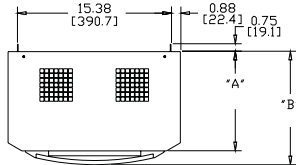
Visit www.McLeanCoolingTech.com to download 2D and 3D CAD drawings into the overall design of your electronic system.

GENESIS®

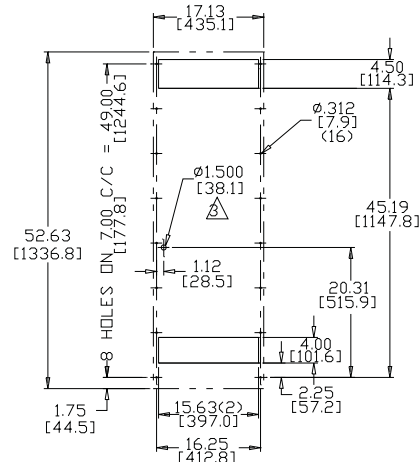
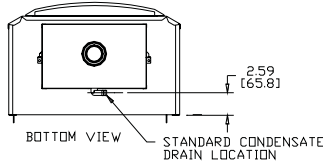
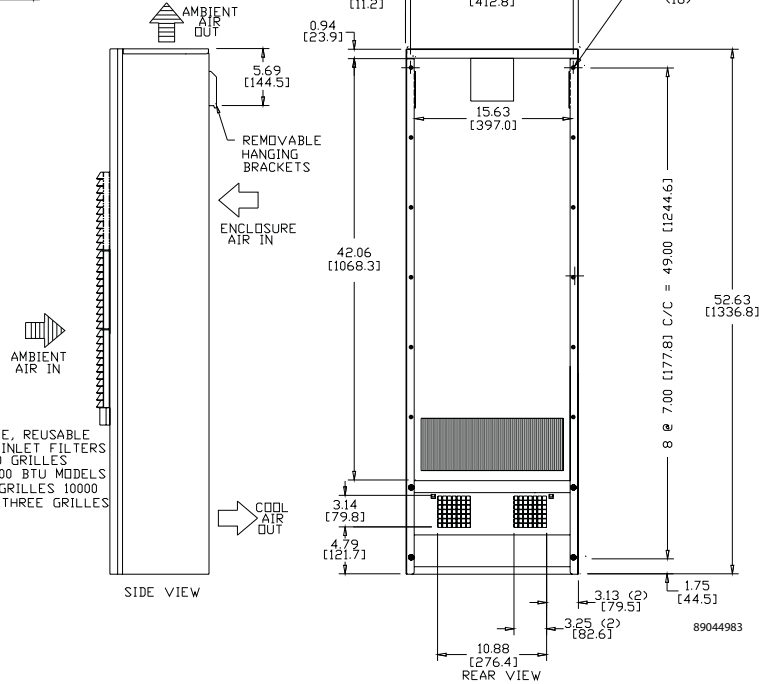
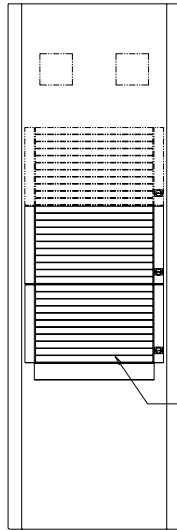
 Performance Data **M52-3 Phase Models 4100-10000 BTU/Hr. (1113-2930 W)**

CATALOG NUMBER	M520446G002	M520646G002	M520846G002	M521046G002
COOLING PERFORMANCE				
Nominal:				
BTUs/Hr.	3800/4100	5000/6000	6500/7500	8000/10000
Watts	1113/1201	1465/1760	1905/2198	2345/2930
Refrigerant	R-134A	R-134A	R-134A	R-134A
Refrigerant Charge (ounces/grams)	14/397	17/482	13.5/382	29/824
Operating Temperature Range:				
Maximum (°F/°C)	131/55	125/52	131/55	131/55
Minimum (°F/°C)	50/10	50/10	50/10	50/10
Airflow at 0 Static Pressure:				
Internal loop 50 Hz (CFM / m ³ /hr.)	225/382	225/382	225/382	225/382
External loop 50 Hz (CFM / m ³ /hr.)	500/850	500/850	500/850	500/850
Internal loop 60 Hz (CFM / m ³ /hr.)	270/459	270/459	248/421	266/452
External loop 60 Hz (CFM / m ³ /hr.)	578/982	578/982	578/982	578/982
ELECTRICAL DATA				
Rated Voltage	*400/440/460 3~	400/440/460/3~	*400/440/460 3~	*400/440/460 3~
Frequency (Hz)	50/60	50/60	50/60	50/60
Operating Range	* Min./Max. +/- 10%	* Min./Max. +/- 10%	* Min./Max. +/- 10%	* Min./Max. +/- 10%
Max. Power Consumption (W at 50/60 Hz)	705.5/782	830/828	1453/1472	1536/1564
Max. Nominal Current (A at 50/60 Hz)	1.7	2.0/1.8	3.5/3.2	3.7/3.4
Starting Current (A)	15.4	15.4	20	26
Agency Approvals	cUL Listed CE Others available upon request		cUL Listed CE Others available upon request	
Power Input Description	Terminal block		Terminal block	
ENCLOSURE PROTECTION				
UL Type	Type 12 standard			
CONTROLLER				
Description	Basic mechanical thermostat			
Thermostat Location	Behind filter			
Factory Thermostat Setting (°F/°C)	80/27			
SOUND LEVEL				
At 1.5 Meters	67 dB(A)			
UNIT CONSTRUCTION				
Material	Mild steel sheet metal standard Stainless steel optional			
Finish	RAL 7042 gray, semi-gloss powder-coat paint standard			
UNIT DIMENSIONS				
Height (in./mm)	52.63/1337	52.63/1337	52.63/1337	52.63/1337
Width (in./mm)	17.13/435	17.13/435	17.13/435	17.13/435
Depth (in./mm)	11.33/288	11.33/288	11.33/288	13.33/339
Weight (lb./kg)	162/74	162/74	162/74	165/75

M52-3 Phase Models 4100-10000 BTU/Hr. (1201-2930 Watt)

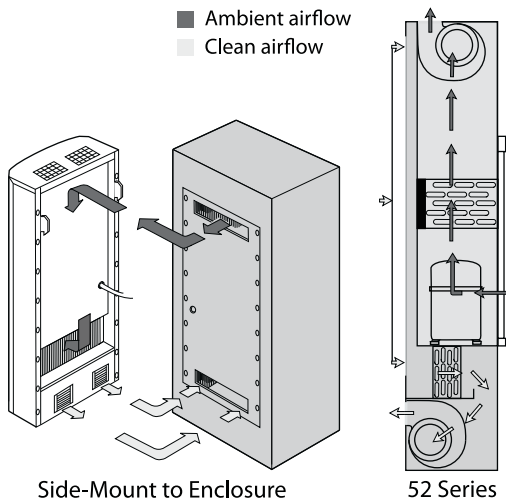


MODEL NO.	DIM."A"	DIM."B"
M52-0446 M52-0646 & 0846-GXXX	9.94"	11.33"
M52-1046-GXXX	11.94"	13.33"



Cutout Instructions

- NOTES:
1. DASHED LINES REPRESENT AIR CONDITIONER.
 2. CUT-OUT DIMENSIONS FOR STANDARD UNITS ONLY.
 3. THIS HOLE MAY BE DELETED IF THE SERVICE CORD IS ROUTED THROUGH THE 4.50" X 15.63" OPENING. (EXCEPT UNITS WITH ELECTRIC HEAT)



Visit www.McLeanCoolingTech.com to download 2D and 3D CAD drawings into the overall design of your electronic system.

Notes