

# **PROAIR Harsh Environment / Wash Down Air Conditioners**



**CR23**



**CR23st**



**CR29**



**CR43st**

*The ultimate in protective cooling for food & beverage, waste water & other applications*



***PROAIR Harsh Environment / Wash Down Air Conditioners***

**PRODUCT OVERVIEW**

Available in stainless steel and painted galvanized sheet metal options, the PROAIR Air Conditioner is engineered tough to seal out high-pressure hose water and withstand corrosive atmospheres.

**APPLICATIONS**

- Food and beverage process controls
- Wastewater treatment systems
- Other harsh environment applications

***PROAIR Harsh Environment / Wash Down Chapter Contents***

Harsh Environment/Wash Down Air Conditioners .....	104
CR23 Model 1600 BTU.....	105
CR29 Model 2200/4000 BTU .....	108
CR43 Model 6000/8000 BTU .....	111

**PROAIR**

**Harsh Environment/Wash Down Air Conditioners**



**CR23**  
1600 BTU/Hr.  
469 Watts



**CR29**  
2200 and 4000 BTU/Hr.  
645 and 1172 Watts



**CR43**  
6000 & 8000 BTU/Hr.  
1758 and 2344 Watts

**Industry Standards**

UL/cUL Listed or UR/cUR Recognized

- CE
- Type 12/3R/4
- Type 4X stainless steel option

**Application**

- Industrial automation
- Package handling equipment
- Food and beverage
- Wastewater treatment
- Security and defense systems
- And more

**Features**

- Robust reciprocating compressor
- Maintenance made easy by front cover hinging open for quick access to all components; condenser coil can be cleaned while unit is still mounted to the cabinet
- R134a or R407c earth-friendly refrigerant and RoHS compliant
- Models for 115, 230 and 460 single phase AC volt power input
- UL Listed or Recognized to save customers time and money with agency approvals
- Operating temperature range from -40 F/-40 C to 131 F/55 C (with optional low-ambient package)
- Attractive industrial design with minimal use of visible fasteners
- Reliable mechanical thermostat located behind the filter of the unit. Indoor Air Conditioner models include digital display on ambient side.
- Low-carbon mild-steel sheet-metal cover for rugged factory and outdoor environments

- Easy-mount flanges for simple installation
- Cleanable reusable aluminum mesh filter to protect coils for maximum cooling performance
- Mounting hardware, gaskets and user manual furnished with the unit
- Every unit functionally tested before shipping
- High-performance fans and blowers designed for densely packed enclosures
- Standard Indoor Air Conditioner models also include:
  - Electro-Mechanical Thermostat
  - Surge Suppressor

**Finish**

- ANSI 70 gray, semi-gloss powder-coat paint standard
- Stainless steel Type 304 or 316 finishes available on Type 4X models
- Other colors and textures available

**Options**

- Thermostat Malfunction Package
  - Special Voltage Package
  - Outdoor Package\*
  - Harsh Environment Package\*
  - Stainless Steel Package\*
  - Heater Package\*
- \* T-Series may be more appropriate. Refer to T-Series A/C chapter. Consult the factory for availability and catalog number.

**Notes**

Visit [www.McLeanCoolingTech.com](http://www.McLeanCoolingTech.com) to download 2D and 3D CAD drawings into the overall design of your electronic system.

PROAIR A/C

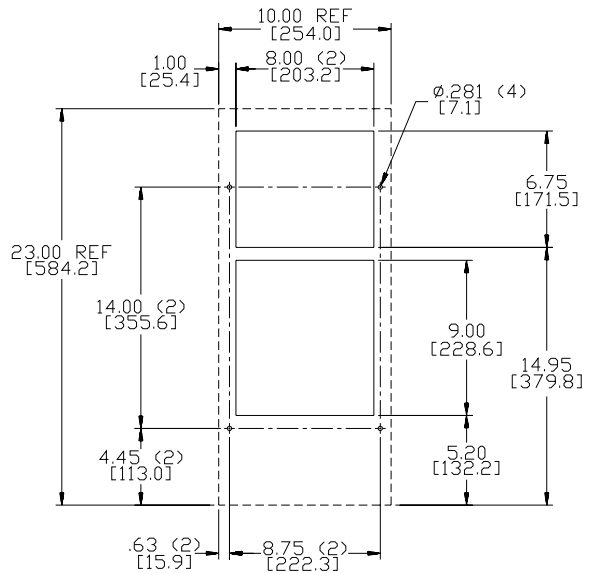
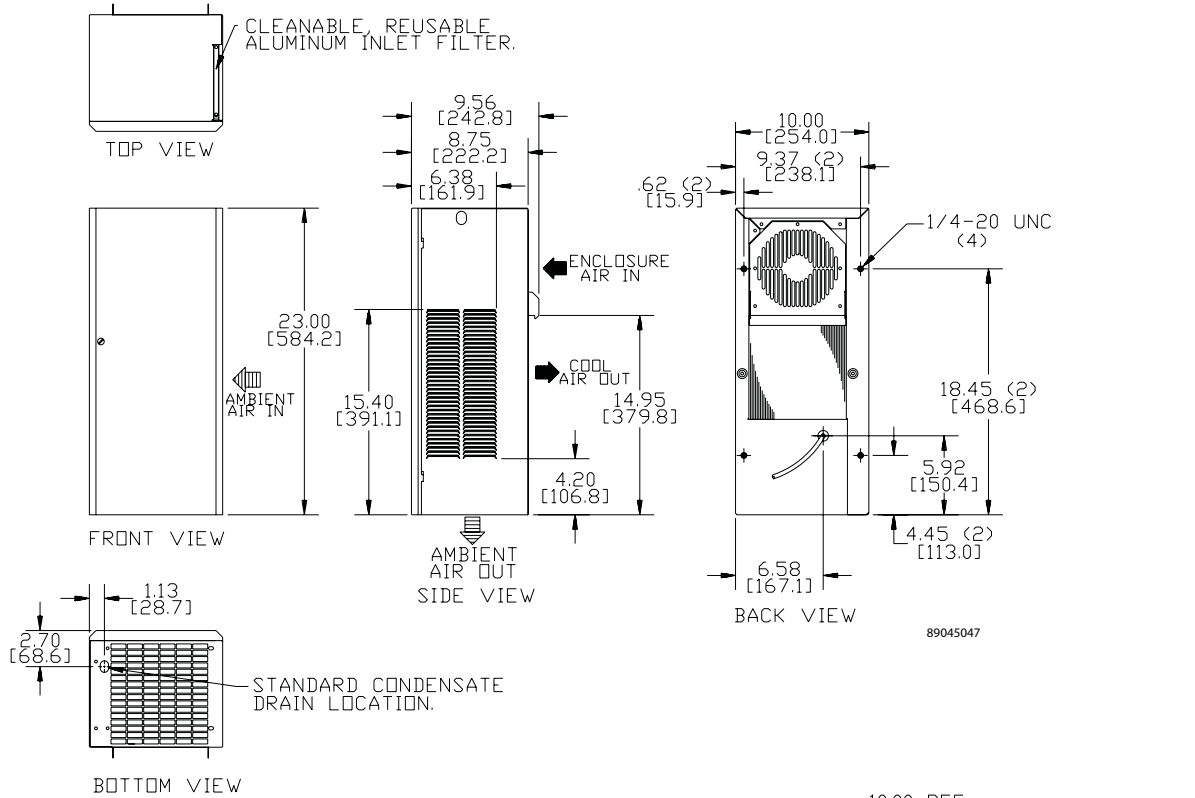
**PROAIR**

 Performance Data **CR23 Models 1600 BTU/Hr. (469 W)**

CATALOG NUMBER	CR230216G002	CR230226G002	CR230246G400
<b>COOLING PERFORMANCE</b>			
<b>Nominal:</b>			
<b>BTUs/Hr.</b>	<b>1400/1600</b>	<b>1400/1600</b>	<b>1400/1600</b>
<b>Watts</b>	<b>410/469</b>	<b>410/469</b>	<b>410/469</b>
Refrigerant	R-134A	R-134A	R-134A
Refrigerant Charge (ounces/grams)	10/284	10/284	10/284
Operating Temperature Range:			
Maximum (°F/°C)	131/55	131/55	131/55
Minimum (°F/°C) (Low Ambient Pkg)	-40/-40	-40/-40	-40/-40
Airflow at 0 Static Pressure:			
Internal loop 50 Hz (CFM / m <sup>3</sup> /hr.)	117/199	117/199	117/199
External loop 50 Hz (CFM / m <sup>3</sup> /hr.)	86/146	86/146	86/146
Internal loop 60 Hz (CFM / m <sup>3</sup> /hr.)	130/221	130/221	130/221
External loop 60 Hz (CFM / m <sup>3</sup> /hr.)	95/161	95/161	95/161
<b>ELECTRICAL DATA</b>			
<b>Rated Voltage</b>	<b>115</b>	<b>230</b>	<b>460V 1PH</b>
Frequency (Hz)	50/60	50/60	50/60
Operating Range	+/- 10%	+/- 10%	+/- 10%
Max. Power Consumption (W at 50/60 Hz)	471.5/517.5	506	552
Max. Nominal Current (A at 50/60 Hz)	4.1/4.5	2.2	1.2
Starting Current (A)	18	8.5	5
Agency Approvals		cUL Listed CE	cUR Recognized CE
Power Input Description	6-ft. cord with NEMA 5-15 plug	6-ft. cord with NEMA 6-15 plug	6-ft. cord with wire leads
<b>ENCLOSURE PROTECTION</b>			
UL Type		Type 12/3R standard 4/4X Stainless steel optional	
<b>CONTROLLER</b>			
Description		Basic mechanical thermostat	
Thermostat Location		Behind cover	
Factory Thermostat Setting (°F/°C)		80/27	
<b>SOUND LEVEL</b>			
At 1.5 Meters		62 dB(A)	
<b>UNIT CONSTRUCTION</b>			
Material		Mild steel sheet metal standard Stainless steel optional	
Finish		ANSI 70 gray, semi-gloss powder-coat paint standard	
<b>UNIT DIMENSIONS</b>			
Height (in./mm)	23/584	23/584	23/584
Width (in./mm)	10/254	10/254	10/254
Depth (in./mm)	8.75/222	8.75/222	8.75/222
Weight (lb./kg)	57/26	57/26	67/30

**PROAIR**

CR23 Models 1600 BTU/Hr. (469 Watt)



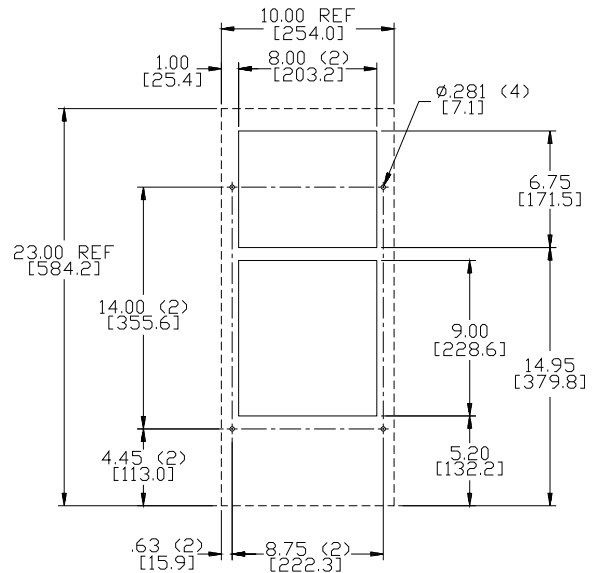
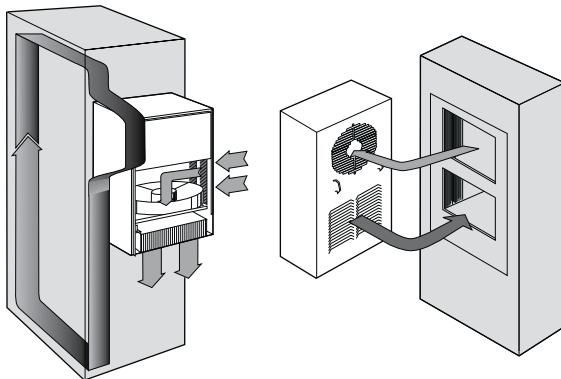
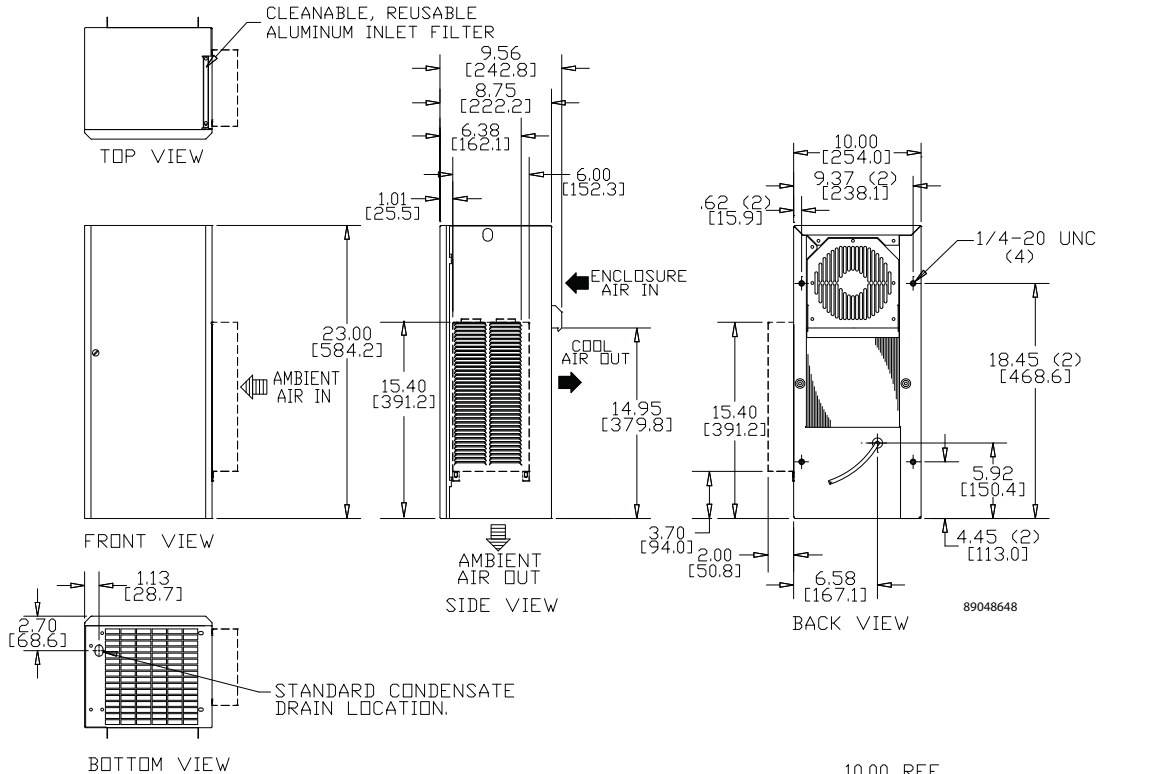
NOTE:  
1. DASHED LINES REPRESENT OUTSIDE OF AIR CONDITIONER.

Visit [www.McLeanCoolingTech.com](http://www.McLeanCoolingTech.com) to download 2D and 3D CAD drawings into the overall design of your electronic system.

PROAIR A/C

**PROAIR**

CR23 Models 1600 BTU/Hr. (469 Watt) With 4X Hood



**Cutout Instructions**

- NOTE:
1. DASHED LINES REPRESENT OUTSIDE OF AIR CONDITIONER.

Visit [www.McLeanCoolingTech.com](http://www.McLeanCoolingTech.com) to download 2D and 3D CAD drawings into the overall design of your electronic system.

PROAIR/C

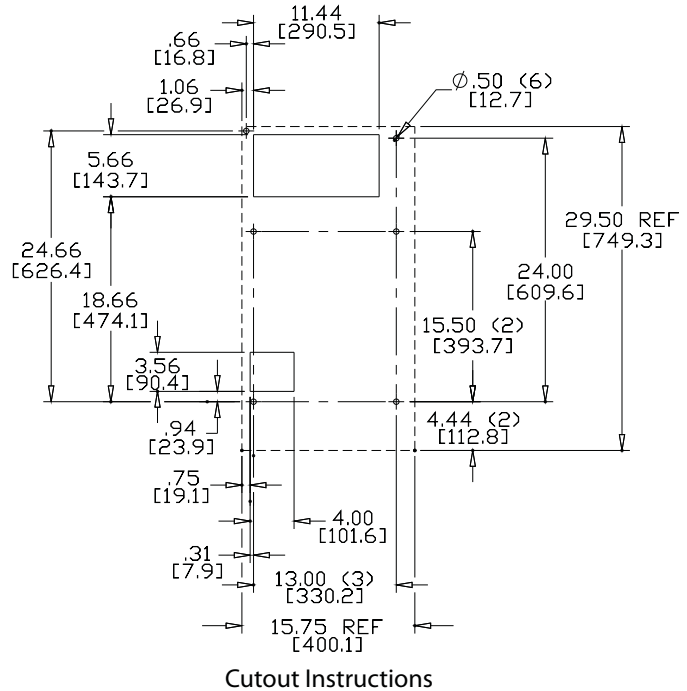
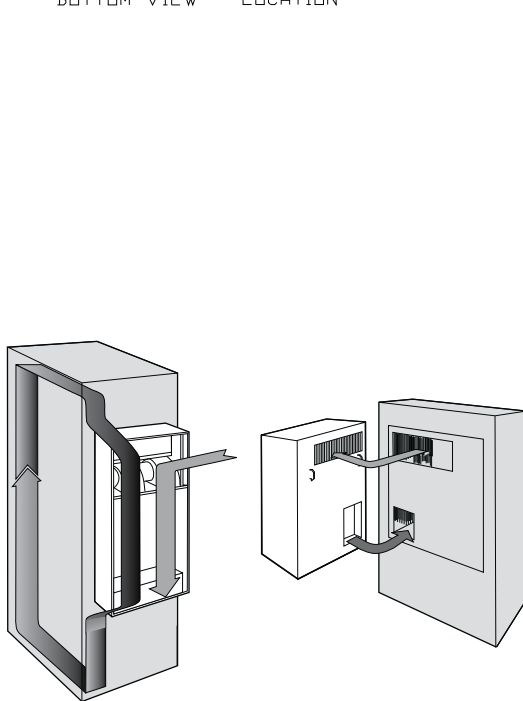
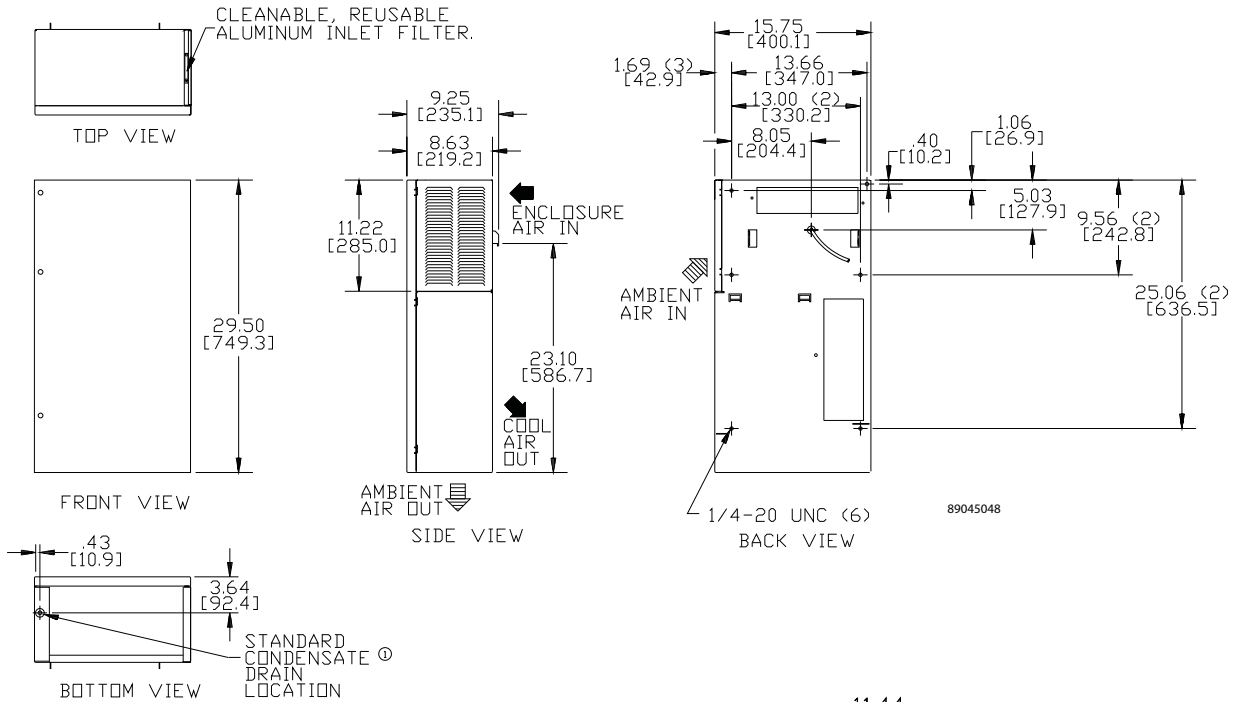
**PROAIR**

 Performance Data **CR29 Models 2200/4000 BTU/Hr. (645/1172 W)**

<b>CATALOG NUMBER</b>						
	CR290216G002	CR290226G002	CR290246G400	CR290416G002	CR290426G002	CR290446G400
<b>COOLING PERFORMANCE</b>						
<b>Nominal:</b>						
<b>BTUs/Hr.</b>	<b>2000/2200</b>	<b>2500/2700</b>	<b>2500/2700</b>	<b>3500/4000</b>	<b>3500/4000</b>	<b>3500/4000</b>
<b>Watts</b>	<b>586/645</b>	<b>732/791</b>	<b>732/791</b>	<b>1025/1172</b>	<b>1025/1172</b>	<b>1026/1172</b>
Refrigerant	R-134A	R-134A	R-134A	R-134A	R-134A	R-134A
Refrigerant Charge (ounces/grams)	11/312	11/312	11/312	12/341	12/341	12/341
<b>Operating Temperature Range:</b>						
Maximum (°F/°C)	131/55	131/55	131/55	131/55	131/55	131/55
Minimum (°F/°C) (Low Ambient Pkg)	-40/-40	-40/-40	-40/-40	-40/-40	-40/-40	-40/-40
<b>Airflow at 0 Static Pressure:</b>						
Internal loop 50 Hz (CFM / m <sup>3</sup> /hr.)	141/239	141/239	141/239	141/239	141/239	141/239
External loop 50 Hz (CFM / m <sup>3</sup> /hr.)	235/399	235/399	235/399	235/399	235/399	235/399
Internal loop 60 Hz (CFM / m <sup>3</sup> /hr.)	157/266	157/266	157/266	157/266	157/266	157/266
External loop 60 Hz (CFM / m <sup>3</sup> /hr.)	261/443	261/443	261/443	261/443	261/443	261/443
<b>ELECTRICAL DATA</b>						
<b>Rated Voltage</b>	<b>115</b>	<b>230</b>	<b>460V 1PH</b>	<b>115</b>	<b>230</b>	<b>460V 1PH</b>
Frequency (Hz)	50/60	50/60	50/60	50/60	50/60	50/60
Operating Range	+/- 10%	+/- 10%	+/- 10%	+/- 10%	+/- 10%	+/- 10%
Max. Power Consumption (W at 50/60 Hz)	851/517.5	1058/877	1150/996	1552.5	1541/1518	1702/1656
Max. Nominal Current (A at 50/60 Hz)	7.4	4.6/3.9	2.5/2.1	13.5/13.5	6.7/6.6	3.7/3.6
Starting Current (A)	28	14.4	7.4	48	23	12
Agency Approvals	cUL Listed CE		cUR Recognized CE	cUL Listed CE		cUR Recognized CE
Power Input Description	6-ft. cord with NEMA 5-15 plug	6-ft. cord with NEMA 6-15 plug	6-ft. cord with wire leads	6-ft. cord with NEMA 5-20 plug	6-ft. cord with NEMA 6-15 plug	6-ft. cord with wire leads
<b>ENCLOSURE PROTECTION</b>						
UL Type	Type 12/3R standard 4/4X Stainless steel optional			Type 12/3R standard 4/4X Stainless steel optional		
<b>CONTROLLER</b>						
Description	Basic mechanical thermostat			Basic mechanical thermostat		
Thermostat Location	Behind cover			Behind cover		
Factory Thermostat Setting (°F/°C)	80/27			80/27		
<b>SOUND LEVEL</b>						
At 1.5 Meters	68 dB(A)			68 dB(A)		
<b>UNIT CONSTRUCTION</b>						
Material	Mild steel sheet metal standard Stainless steel optional			Mild steel sheet metal standard Stainless steel optional		
Finish	ANSI 70 gray, semi-gloss powder-coat paint standard			ANSI 70 gray, semi-gloss powder-coat paint standard		
<b>UNIT DIMENSIONS</b>						
Height (in./mm)	29.5/749	29.5/749	29.5/749	29.5/749	29.5/749	29.5/749
Width (in./mm)	15.75/400	15.75/400	15.75/400	15.75/400	15.75/400	15.75/400
Depth (in./mm)	8.63/219	8.63/219	8.63/219	8.63/219	8.63/219	8.63/219
Weight (lb./kg)	98/44	98/44	108/49	118/54	118/54	128/58

**PROAIR**

CR29 Models 2200/4000 BTU/Hr. (645/1172 Watt)



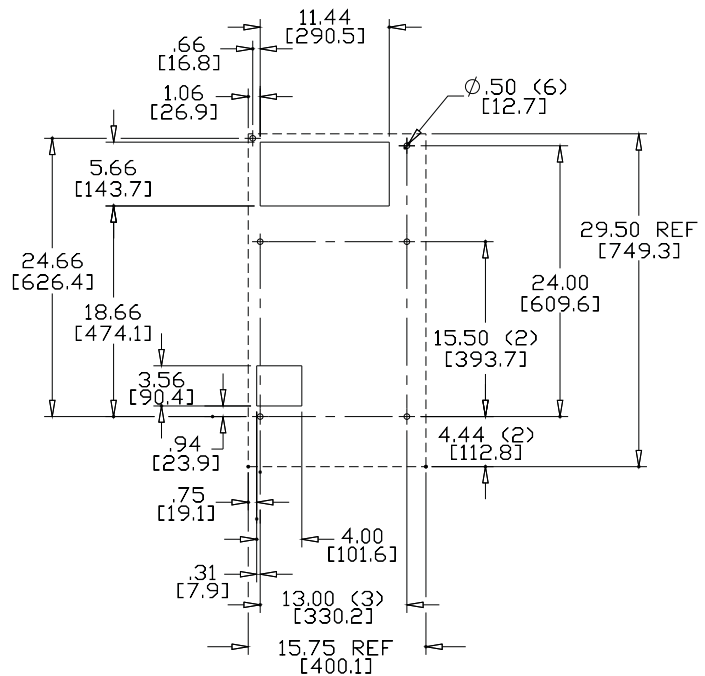
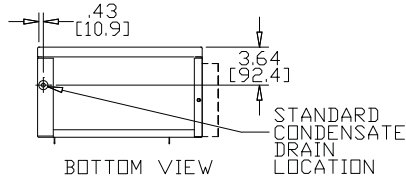
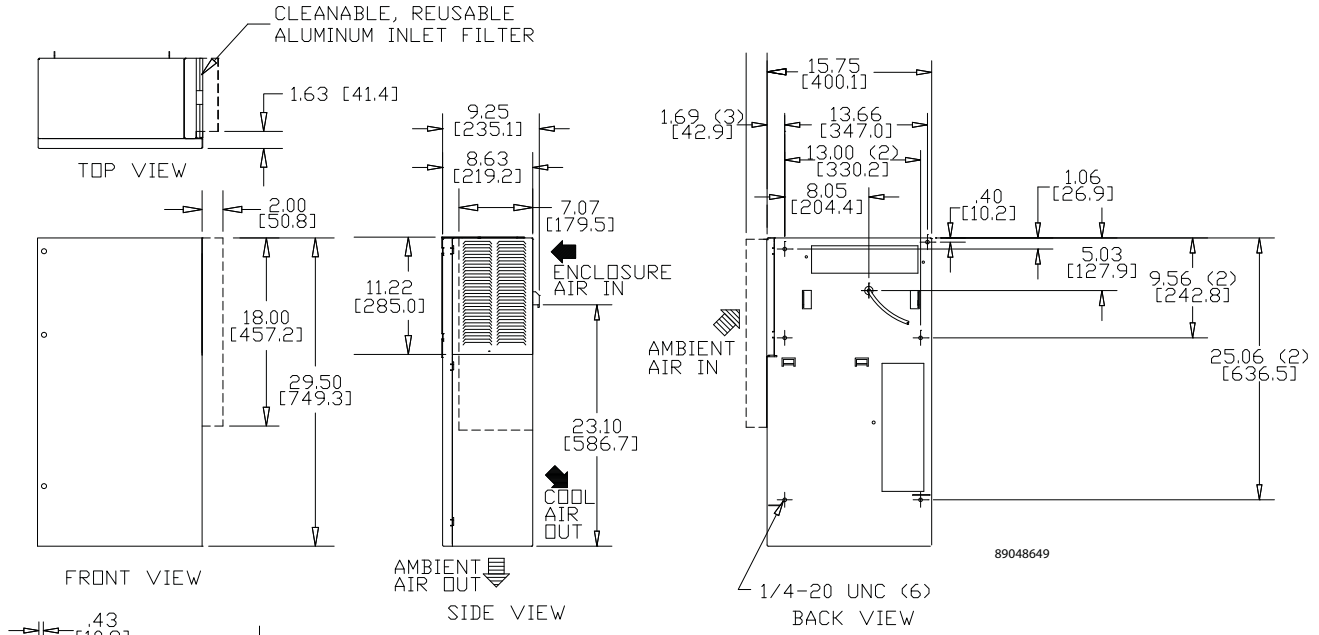
NOTE:  
1. DASHED LINES REPRESENT OUTSIDE OF AIR CONDITIONER.

Visit [www.McLeanCoolingTech.com](http://www.McLeanCoolingTech.com) to download 2D and 3D CAD drawings into the overall design of your electronic system.

PROAIR/C

**PROAIR**

CR29 Models 2200/4000 BTU/Hr. (645/1172 Watt) With 4X Hood



**Cutout Instructions**

NOTE:

1. DASHED LINES REPRESENT OUTSIDE OF AIR CONDITIONER.

Visit [www.McLeanCoolingTech.com](http://www.McLeanCoolingTech.com) to download 2D and 3D CAD drawings into the overall design of your electronic system.

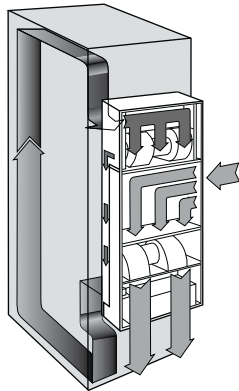
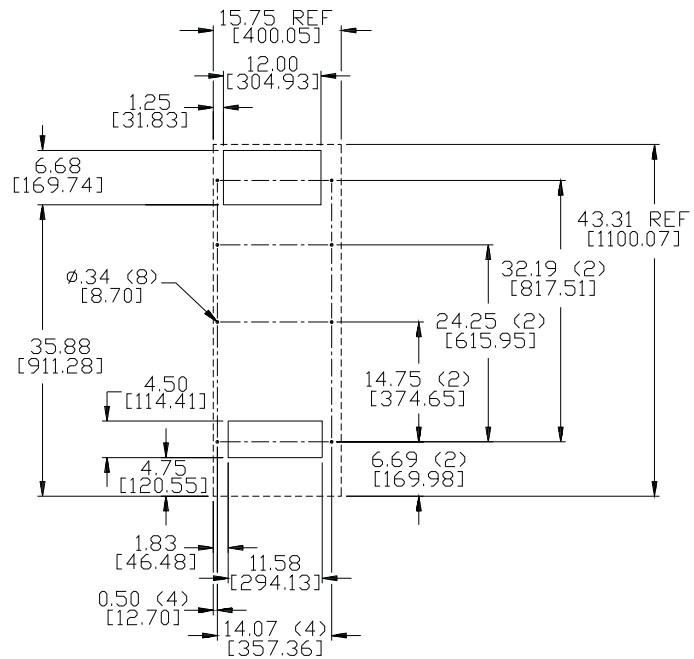
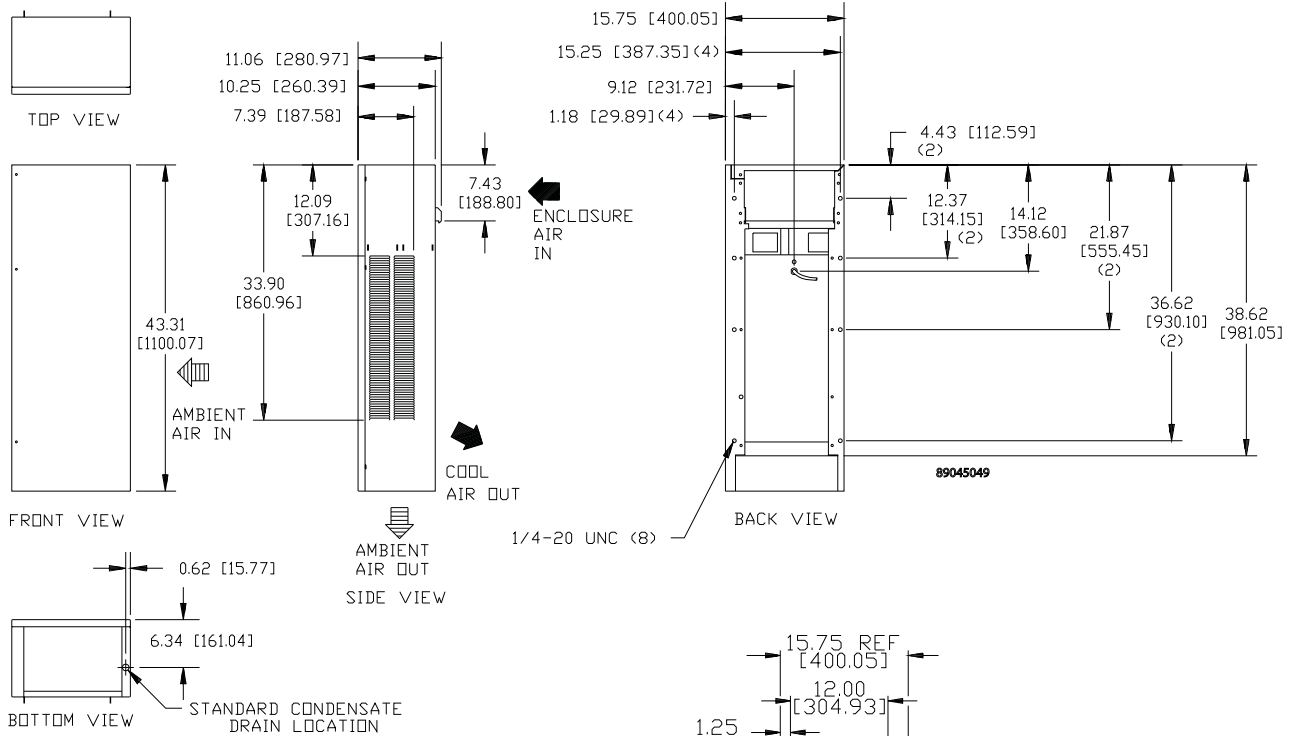
**PROAIR**

 Performance Data **CR43 Models 6000/8000 BTU/Hr. (1758/2344 W)**

<b>CATALOG NUMBER</b>						
	CR430616G002	CR430626G002	CR430646G400	CR430816-G002	CR430826G002	CR430846G400
<b>COOLING PERFORMANCE</b>						
<b>Nominal:</b>						
<b>BTUs/Hr.</b>	<b>5500/6000</b>	<b>5500/6000</b>	<b>5500/6000</b>	<b>7100/8000</b>	<b>7100/8000</b>	<b>7100/8000</b>
<b>Watts</b>	1611/1758	<b>1611/1758</b>	<b>1611/1758</b>	<b>2080/2344</b>	<b>2080/2344</b>	<b>2080/2344</b>
Refrigerant	R-134A	R-134A	R-134A	R-134A	R-134A	R-134A
Refrigerant Charge (ounces/grams)	19/538	19/538	19/538	19/538	19/538	19/538
Operating Temperature Range:						
Maximum (°F/°C)	131/55	131/55	131/55	131/55	131/55	131/55
Minimum (°F/°C) (Low Ambient Pkg.)	-40/-40	-40/-40	-40/-40	-40/-40	-40/-40	-40/-40
Airflow at 0 Static Pressure:						
Internal loop 50 Hz (CFM / m <sup>3</sup> /hr.)	320/543	226/384	226/384	320/543	226/384	226/384
External loop 50 Hz (CFM / m <sup>3</sup> /hr.)	480/815	470/798	470/798	480/815	470/798	470/798
Internal loop 60 Hz (CFM / m <sup>3</sup> /hr.)	368/625	255/433	255/433	368/625	255/433	255/433
External loop 60 Hz (CFM / m <sup>3</sup> /hr.)	544/924	540/917	540/917	544/924	540/917	540/917
<b>ELECTRICAL DATA</b>						
<b>Rated Voltage</b>	<b>115</b>	<b>230</b>	<b>460V 1PH</b>	<b>115</b>	<b>230</b>	<b>460V 1PH</b>
Frequency (Hz)	50/60	50/60	50/60	50/60	50/60	50/60
Operating Range	+/- 10%	+/- 10%	+/- 10%	+/- 10%	+/- 10%	+/- 10%
Max. Power Consumption (W at 50/60 Hz)	1460	1403/1518	1564/1656	1460	1403/1518	1564/1656
Max. Nominal Current (A at 50/60 Hz)	12.7	6.1/6.6	3.4/3.6	12.7	6.1/6.6	3.4/3.6
Starting Current (A)	48.3	27	14	48.3	27	14
Agency Approvals	cUL Listed CE		cUR Recognized CE	cUL Listed CE		cUR Recognized CE
	Others available upon request			Others available upon request		
Power Input Description	6-ft. cord with NEMA 5-20 plug	6-ft. cord with NEMA 6-15 plug	6-ft. cord with wire leads	6-ft. cord with NEMA 5-20 plug	6-ft. cord with NEMA 6-15 plug	6-ft. cord with wire leads
<b>ENCLOSURE PROTECTION</b>						
UL Type	Type 12/3R standard 4/4X Stainless steel optional			Type 12/3R standard 4/4X Stainless steel optional		
<b>CONTROLLER</b>						
Description	Basic mechanical thermostat			Basic mechanical thermostat		
Thermostat Location	Enclosure side on all base models			Enclosure side on all base models		
Factory Thermostat Setting (°F/°C)	80/27			80/27		
<b>SOUND LEVEL</b>						
At 1.5 Meters	71 dB(A)			71 dB(A)		
<b>UNIT CONSTRUCTION</b>						
Material	Galvanized sheet metal standard Stainless steel optional			Galvanized sheet metal standard Stainless steel optional		
Finish	ANSI 70 gray, semi-gloss powder-coat paint standard			ANSI 70 gray, semi-gloss powder-coat paint standard		
<b>UNIT DIMENSIONS</b>						
Height (in./mm)	43/1092			43.31/1100		
Width (in./mm)	15.75/400			15.75/400		
Depth (in./mm)	10.9/279			10.25/260		
Weight (lb./kg)	125/57	125/57	155/70	125/57	125/57	155/70

**PROAIR**

CR43 Models 6000/8000 BTU/Hr. (1758/2344 Watt)

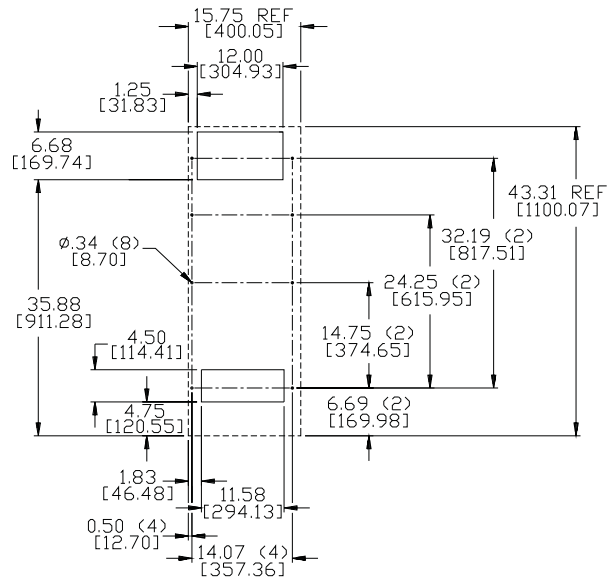
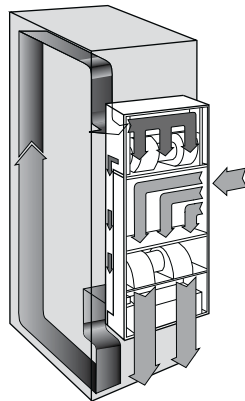
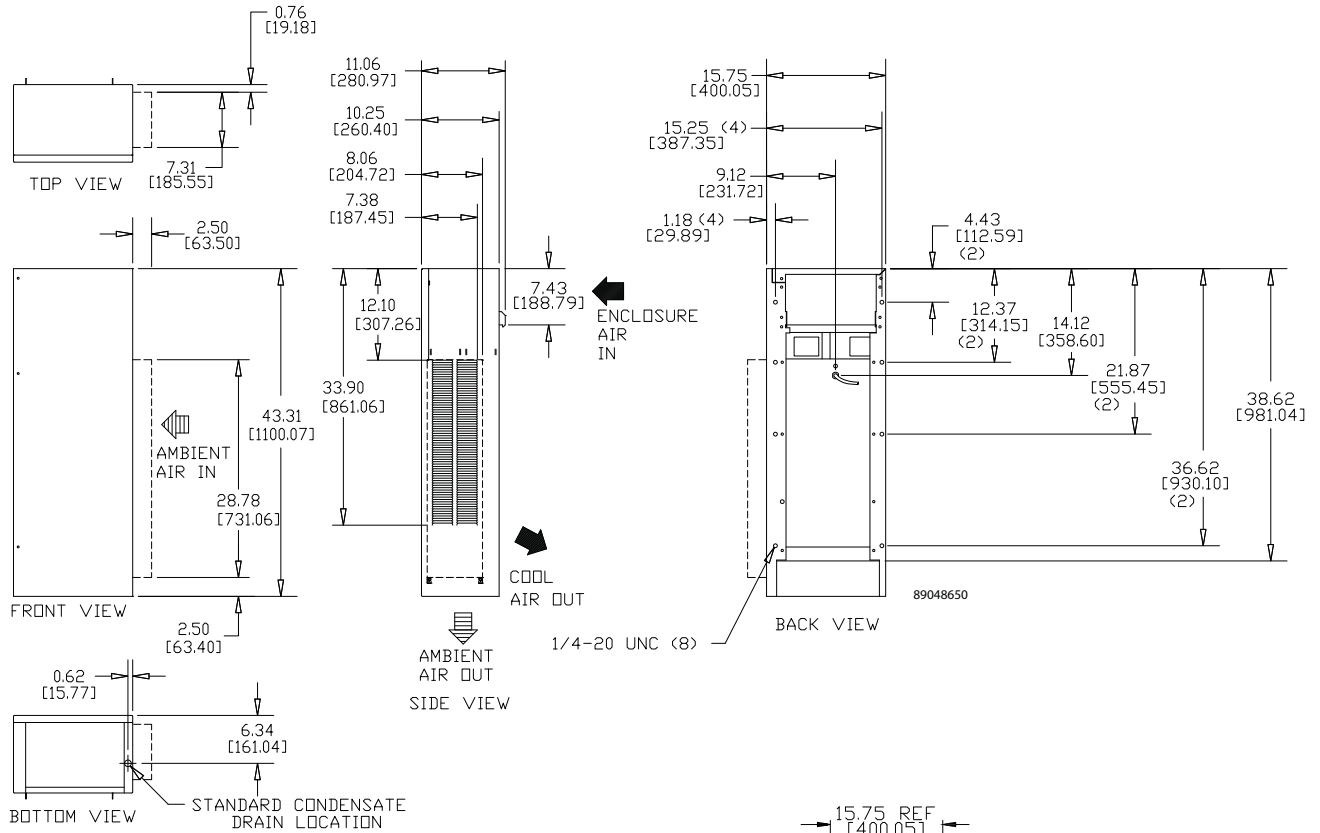


PROAIR A/C

Visit [www.McLeanCoolingTech.com](http://www.McLeanCoolingTech.com) to download 2D and 3D CAD drawings into the overall design of your electronic system.

**PROAIR**

CR43 Models 6000/8000 BTU/Hr. (1758/2344 Watt) With 4X Hood



**Cutout Instructions**

NOTE: DASHED LINES REPRESENT OUTSIDE OF AIR CONDITIONER.

Visit [www.McLeanCoolingTech.com](http://www.McLeanCoolingTech.com) to download 2D and 3D CAD drawings into the overall design of your electronic system.

PROAIR/C