



NQ Panelboard with Door-in-Door (Hinged) Trim



MH38 Enclosure with 12-inch Wireway and Mono-Flat™ Trim with 12-inch Wireway Cover

Factory Assembled Panelboard Special Features

General Instructions	4-2
Pricing Instructions	4-2
Metric Conversion	4-2
I-Line Panelboards Factory Assembled Pricing	4-2
Metering	4-3
Current Transformers	4-3
Customer Equipment Space	4-3
Keyed Interlocks	4-3
Motor Operators	4-3
Increased Enclosure Depth	4-4
Increased Side Gutters	4-4
Extended Top and Bottom End Gutters	4-4
Drip Hoods	4-4
Special Finishes (non-standard paint color, painted enclosures, etc.)	4-4
Free Standing Enclosures	4-4
Special Trims (hinged, stainless steel, etc.)	4-4
Padlock Hasp	4-5
Special Locks	4-5
Multi-section Panels (equal-height enclosures, common trims, etc.)	4-5
Panel Skirts	4-6
Wireway	4-6
Panels to Fit Existing Enclosures	4-7
Space Heater	4-7
Special Enclosures (Type 1, 3R-12, 4, 4X, etc.)	4-8

NQ Merchandised Panelboards

NQ Main Lug and Main Circuit Breaker Panelboard with SPD	4-9
--	-----

Ready-to-Install (RTI) Merchandise

Copper Equipment Ground Bars	4-10
Field Installable I-Line™ Door Kits	4-10
Type 1 Door-in-Door (Hinged) Trim Fronts	4-10

Replacement Parts for Standard Panelboards

Trim Clamps and Screws	4-11
Locks and Keys	4-12

CTC Cabinets

Datasheet for the Retrofit of an Existing Enclosure	4-14
---	------



by Schneider Electric

© 2012 Schneider Electric
All Rights Reserved



General Instructions

The special feature options covered in this Panelboard estimating procedure are applicable to factory-assembled panelboards only. Do not apply this pricing to ready-to-assemble panelboards.

Special features are listed in three major categories:

- Mains
- Branches
- Cabinets

Pricing Instructions

All special feature entry prices are list prices.

Price the panelboard in the standard manner, then add for any special features required to obtain the total price.

Certain features already appear in the Q2C or EQM panelboard quotation system. For those features not listed in the quotation system, enter the information as it appears in this publication with the appropriate price in the "Other Special Features" screen in Q2C or EQM. Follow the example below:

Quantity	Description	\$ Price
1	Corbin Locks	704.00

Metric Conversion

Inches (in.) x 25.4 = millimeters (mm).

I-Line™ Panelboards Factory Assembled Pricing

Table 4.1: Basic \$ Price – Main Circuit Breaker

Panel Type	No. Poles	Main Circuit Breaker ▲					
		400 A			600 A		
		LX ■	LE ■	LXI ■	LX ■	LE ■	LXI ■
HCP, HCP-SU	2	10976.00	15232.00	19944.00	14312.00	17078.00	29878.00
	3	12132.00	17944.00	22734.00	17822.00	20590.00	33390.

- ▲ When required, add the \$ Price of a solid neutral from Digest Table 9.125.
- Std. construction back-fed main.

Table 4.2: Micrologic LE, LX and LXI Branch Circuit Breakers (See Digest pages 7-7 for interrupting rating, voltage rating, Fed. Specs. etc.)

Circuit Breaker Ampere	Circuit Breaker	3 pole					2 pole					1 pole				
		240 V	480 Vac 250 Vdc	600 V	Space only	H	240 V	480 Vac 250 Vdc	480 Vac 250 Vdc	Space only	H	120 V	277 V	277 Vac 125 Vdc	Space only	H
Micrologic™ Circuit Breakers (% Rated)																
100–250 A	LX (80%) ♦	—	—	10100.00	456.00	7.5	—	—	7580.00	456.00	7.5	—	—	—	—	—
300–400 A		—	—	10400.00			—	—	9240.00			—	—	—	—	
450–600 A		—	—	15566.00			—	—	12056.00			—	—	—	—	
100–250 A	LXI (80%) ♦	—	—	16556.00	456.00	7.5	—	—	13666.00	456.00	7.5	—	—	—	—	—
300–400 A		—	—	21002.00			—	—	18212.00			—	—	—		
450–600 A		—	—	31134.00			—	—	27622.00			—	—	—	—	
100–250 A	LE (100%) ♦	—	—	14544.00	456.00	7.5	—	—	10740.00	456.00	7.5	—	—	—	—	—
300–400 A		—	—	16212.00			—	—	13500.00			—	—	—		
450–600 A		—	—	18334.00			456.00	7.5	—			—	14820.00	456.00	7.5	—

♦ Refer to Table 4.3 for LE, LX and LXI Micrologic Trip Unit price adders.

Table 4.3: LE, LX & LXI Micrologic Trip Units

LE	LX and LXI
LI - Std	—
LSI - \$4670.00	Standard
LIG - \$4670.00	—
LSIG - \$9340.00	\$12,880.00

Table 4.4: D-Frame (600 A 480 Vac) 3P 50/60 Hz circuit Breaker with Electronic Trip Units

Electronic Trip Unit Type	Trip Function	Trip Unit	Continuous Current▲	G Interrupting		J Interrupting		L Interrupting		Terminal Wire Ratings
				Catalog No.	\$ Price	Catalog No.	\$ Price	Catalog No.	\$ Price	
Standard	LS	STR23SP	150 A	DGA34150E20	5631.00	DJA34150E20	9028.00	DLA34150E20	10468.00	(1) 2–600 Cu or (1) 2–500 Al
			250 A	DGA34250E20		DJA34250E20		DLA34250E20		
			400 A	DGA34400E20		DJA34400E20		DLA34400E20		
			600 A	DGA34600E20		DJA34600E20		DLA34600E20		
Standard	LSI	STR53UP-■	150 A	DGA34150E53	6750.00	DJA34150E53	10147.00	DLA34150E53	11587.00	(1) 2–600 Cu or (1) 2–500 Al
			250 A	DGA34250E53		DJA34250E53		DLA34250E53		
			400 A	DGA34400E53		DJA34400E53		DLA34400E53		
			600 A	DGA34600E53		DJA34600E53		DLA34600E53		
Ammeter	LSI	STR53-UPFI■	150 A	DGA34150E58	8211.00	DJA34150E58	11608.00	DLA34150E58	13048.00	(1) 2–600 Cu or (1) 2–500 Al
			250 A	DGA34250E58		DJA34250E58		DLA34250E58		
			400 A	DGA34400E58		DJA34400E58		DLA34400E58		
			600 A	DGA34600E58		DJA34600E58		DLA34600E58		

- ▲ D-frame circuit breakers 400 A and below are 100% rated, 600 A is standard (80%) rated only
- F = Fault Indicator, I = Ammeter

Table 4.5: DG, DJ, DL Electronic Trip Units

	Standard	Ammeter
LS	Standard	—
LSI	1130.00	1476.00
LSIG	—	—



Mains

Metering—Type 1 Enclosures Only (1200 A Maximum)

Enclosures and Interiors are shipped fully assembled.

NQ, NF and Powerlink™ require a 7-inch left side gutter extension and a 6-inch main end extension for PowerLogic Power Meter applications.

7-inch side gutter extension, add \$960.00
6-inch main end extension, add 428.00

I-Line™ and QMB require a 14-inch side gutter extension for PowerLogic Circuit Monitor and Power Meter applications.

Current Transformers In Mains (ac only and line side only)▲

Prices listed are based on transformers having a 5 A secondary and mounted under a separate cover. Apply appropriate charge from the table below

Table 4.6: Current Transformers

Primary Amperes (5 A—Secondary)	\$ Price Per C/T	Additional Enclosure Height Required ■
100–1200	1804.00	6 inches

Customer Equipment Space▲

NOTE: End user must specify end use equipment to be installed.

Available with NQ, and NF lighting panelboards only. Must be opposite the mains end, both main breaker and main lug, to prevent interference with incoming cables. Customer equipment space is not available with thru-feed lugs or sub-feed breakers.

18-inch space only with separate door, add. 992.00

A barrier exists between the equipment space and the panelboard compartment; a separate door is provided as standard (requires 18-inch additional enclosure height).

NOTE: A separate door is not supplied in NEMA 3R/12 construction.

- ▲ Feature supported by product selectors in Q2C and EQM.
- For NQ, and NF panelboards.

Branches

Keyed Interlocks

NOTE: Not available for use in NQ, NF or I-Line™ HCN panelboards with door. Not available on I-Line™ with door when key interlocked MG/MJ/P/R frame branch-mounted circuit breakers are installed. Must use 4-piece trim or NEMA 3R/12.

Keyed mechanical interlocking of two or more circuits is available on request. Individual locks are furnished for each circuit. All locks operate by one key, which can be removed only when the circuit is locked in the desired position.

I-Line Circuit Breakers—A 3-inch filler adjacent to the circuit is necessary for mounting the interlock; contact your nearest Schneider Electric sales office for assistance with power distribution panelboards with doors. Feature not available on vertically mounted main circuit breaker.

To the standard panelboard pricing, per interlock, add \$1940.00

QMB Fusible Switches—Available on 100 A singles (100 A single QMB requires 9 inches of mounting space) through 800 A switches plus LA circuit breaker adapters. Requires 3 inches of branch mounting space per switch for interlock installation.

Per interlock, add. 1940.00

Motor Operators—I-Line Circuit Breakers Only

Motor operators provide remote *open*, *close*, and *reset* control of molded case circuit breakers. Price panelboard from the latest Digest, and, for each motor operator, add per table below. In I-Line panelboards, motor operators require 4.5 inches of circuit breaker mounting space. This can be provided on I-Line main circuit breaker only when the main is branch-mounted and back-fed.

NOTE: Not available in I-Line HCN Panelboards

Table 4.7: Motor Operators

Circuit Breaker Type	Motor Operator Voltage	\$ Price Each
F-frame	120 Vac	1198.00
H-frame (3P modules only)	48/60, 110/130, 208/277, 380/480 Vac; 24/30, 48/60, 110/130, 250 Vdc	1198.00
J-frame	48/60, 110/130, 208/277, 380/480 Vac; 24/30, 48/60, 110/130, 250 Vdc	2975.00
LA, LH	120 Vac	3908.00
PG, PJ, PL	48, 110/130, 220/240, 380/480 Vac; 24/30, 48/60, 110/130, 200/250 Vdc	4450.00

NOTE: If the customer is not supplying the motor operator voltage, a control transformer can be supplied (priced separately)

Increased Enclosure Depth

Type 1 Enclosure ▲

For 8-inch depth (HC26), add\$640.00
For 12-inch depth (HC32, 42, 44—12-inch only), add 640.00

Type 3R, 5, or 12 Enclosure ▲

For 8-inch or 12-inch depth, add 690.00

NOTE: No other depths are available.

**Increased Side Gutters
(Type 1 Enclosures Only)**

NOTE: Available on MH enclosures (right or left) in 3, 6 and 12-inch added widths, 26-inch wide HC enclosures up to a maximum of 14 additional inches and 32-inch wide HC enclosures up to a maximum of 10 additional inches. Not available on 42-inch wide HC enclosures. No barrier will be supplied unless specified. Includes one-piece trim.

Provide extended side gutters.
Add per panelboard 1508.00

Steel Barrier in Enclosure

Add 410.00

NOTE: The enclosure will be extended on one side only. If extension is required on both sides, contact your nearest Schneider Electric sales office for assistance.

Extended Top and Bottom End Gutters

NOTE: Available for Type 1 enclosures only

Type MH Enclosures

6-inch, 12-inch, 18-inch or 24-inch extension. Includes one-piece trim.
Add per panelboard 1214.00

Type HCN, HCM Enclosures

9-inch extension. Includes standard panel trim and enclosure extension cover.
Add per panelboard 1214.00

Type HCP, HCR-U Enclosures

12-inch extension. Includes standard panel trim and enclosure extension cover.
Add per panelboard 1214.00

Type QMB Enclosures

38-inch W x 11.5-inch D may have a 6-inch maximum increased end gutter. This is the only QMB enclosure with an increased end gutter option. Available only with a four-piece trim.
Add per panelboard 1214.00

For lengths other than those listed above, refer to the Wireway section on page 4-8.



MH38 Enclosure with 6-inch Increased Left-side Gutter



MH38 Enclosure with 12-inch Extended Bottom End Gutter and One-Piece Trim



Hinged Trim

Drip Hoods ▲

For each surface-mounted-only panelboard, add \$294.00

Special Finishes

NOTE: The standard finish of the enclosure fronts is ANSI 49. The enclosures are galvanized steel.

ANSI 49 Enclosure ▲

Add 584.00

ANSI 61 Front or Enclosure ▲

Add 700.00

Front and Enclosure with Polyester Acrylic Powder Paint Finish

Provides increased salt spray performance in coastal areas and increased resistance to UV fading.
Add 1350.00

Special or Custom Paint for Trim and/or Enclosure

Add 4400.00

Free-standing Enclosures (welded base channels) ◆

Supports extending out front and back, welded to bottom of enclosure
Add 876.00

Special Trims

Hinged Trim ▲

Add 646.00

Hinged Trim with Outer Door Lock

Add 846.00 ■

NOTE: Outer door lock, must be priced with hinged trim.

For door-in-door trim, use hinged trim with outer door lock.

Stainless Steel Trim Fronts ▲

NQ 20-inch-wide flush and surface, add 4200.00
NF flush and surface, add 4200.00
I-Line™ HCN—Standard trim with door, add 14800.00
I-Line HCM—Standard trim with door, add 14800.00
I-Line HCP—Standard trim with door, add 15400.00

- ▲ Feature supported by Product Selectors in Q2C and EQM.
- \$846.00 price includes a hinged trim with an integrated outer door lock.
- ◆ Not available on NEMA 3R/12 I-Line™ and QMB.



NC38S with Padlock Hasp

Padlock Hasp

For hasp, staple and standard lock (padlock not included)
Add \$600.00



Corbin 15767 Lock



NC38S with Yale Lock Installed

Special Locks

On trim with a 3-point latch, special locks will be installed as a secondary latch. Special locks include Corbin 60, Corbin 15767, GE 75, Yale® 511S and Best 5L7RL2-626. For all other locks, contact your nearest Schneider Electric sales office for assistance.

Standard key change, Corbin 60, Corbin 15767 or GE 75, add▲ 704.00
Standard key change, Yale 511S, add▲ 1700.00
Standard key change, Best 5L7RL2-626, add▲ 1500.00

Quarter turn fasteners

Add 584.00

NOTE: Special locks for all HC trims and NF panelboards with three-point latches, will be installed as secondary locks. Special locks are not available on I-Line™ 42-inch and 44-inch wide panelboards or QMB type panelboards.

NOTE: Many key configurations can be accommodated with our standard Square D™ brand lock. Contact your nearest Schneider Electric sales office for assistance.

▲ Feature supported by Product Selectors in Q2C and EQM.

Multi-Section Panels

Equal-Height Enclosures▲

NQ, and NF, add per panel 1688.00
I-Line or QMB, add per panel 2198.00

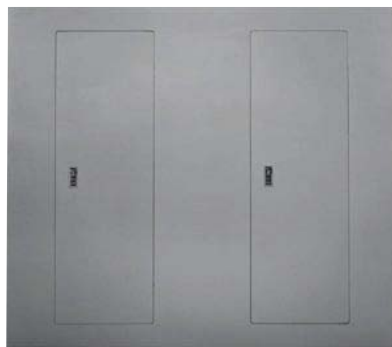
Common Trim in Place of Two Individual Fronts▲

Used to cover two equal-height enclosures mounted side-by-side.
Add 2334.00

Sheared on Inside Edges

Allows enclosures to be butted together.
Add per panel 1644.00

▲ Feature supported by Product Selectors in Q2C and EQM.



Common Trim Front for Use with Multiple-Section Panelboards Mounted Side-By-Side

Panel Skirt for Standard Width Panelboards ▲

Panel skirts are intended for cosmetic purposes only; they are meant to hide cables which are enclosed in conduit. Do not use a panel skirt as a wireway; see the Wireway section below.

NOTE: Panel skirts are for Type 1 surface-mounted applications with standard depth and width, Square D™ brand enclosures only.

▲ Feature supported by Product Selectors in Q2C and EQM.

Table 4.8: Panel Skirts

Skirt Length	\$ Price	
	NQ, NF	I-Line™, QMB
4–60 inches	912.00	1298.00
61–92 inches	1142.00	1908.00



Panel skirt framework to be bolted to the wall.



Panel skirt bolted in place below an MH26 enclosure.



Panel skirt completely installed.

Wireway ▲

Allows for terminating conduit in the wireway endwall. Only the cable passes through the wireway into the panelboard enclosure. Includes trim and wireway cover.

NOTE: Wireway is for Type 1, surface-mounted applications with standard depth and width, Square D™ brand enclosures only.

▲ Feature supported by Product Selectors in Q2C and EQM.

Table 4.9: Wireway

Wireway Length	\$ Price	
	NQ, NF	I-Line™, QMB
4–60 inches	1014.00	1482.00
61–92 inches	1264.00	2160.00



MH38 enclosure with 12-inch wireway and Mono-Flat™ trim with 12-inch wireway cover.

Panels to Fit Existing Enclosures

Panelboard interiors and special fronts can be furnished to fit existing enclosures. First, price the complete panel along with the appropriate price adder from below. Next, photocopy the Retrofit Existing Enclosure data sheet found on page 4-14, record the required dimensions on the photocopy and forward it with your order to the nearest Schneider Electric sales office. For interiors requiring vented enclosures, contact your nearest Schneider Electric sales office for assistance.

NOTE: Existing enclosure depth on flush installations must be measured from inside surface of enclosure to outer wall or plaster surface.

Special Fronts

Existing enclosure the same depth as or deeper than our standard.

Add. **\$1040.00**

NOTE: Elevating brackets to be supplied by customer for existing enclosures deeper than our standard.

Existing enclosure shallower than our standard. Requires an enclosure extension (surface applications) or a formed front (flush applications). A hinged trim front option is not available for these applications.

Add. **2080.00**

NOTE: A formed front is available on NQ (225 A max.) and, NF (250 A max.). When a flush front is required for an existing enclosure that is shallower than our standard, be sure to indicate the position of the enclosure with respect to the wall in which it is mounted. This is required in order to determine whether an enclosure extension with a flat front should be supplied, or whether a flush formed front is more applicable. The interior must be centered in the enclosure and, if the enclosure is deeper than our standard, the interior must be leveled within the enclosure. The existing enclosure for NQ and, NF panels cannot be more than 3.0 inches shorter than the standard enclosure. Minimum width is 17 inches. Special trims that are manufactured to fit an existing enclosure will be within ± 0.25 inches of the specification. Refer to the table below for standard enclosure depths and for the maximum depth for which no special mounting brackets are required.

Table 4.10: Panelboard Enclosure Depths

Panelboard Type	Standard Enclosure Depth	Maximum Enclosure Depth for which No Special Mounting Brackets Required
NQ standard width—main lugs only	5.75 inches	5.75 inches
NQ standard width—main circuit breaker	5.75 inches	5.75 inches
NF	5.75 inches	5.75 inches
I-Line™—Maximum F, H or Q-frame branch circuit breaker	6.5 inches	7.25 inches
I-Line—Maximum J-frame branch circuit breaker	8.25 inches	9.0 inches
I-Line—Maximum P or R-frame branch circuit breaker	9.25 inches	10.25 inches

Space Heater

NOTE: Enclosure, interior and trim ship fully assembled. 120 V is standard. Top feed applications only. NQ and NF require 18 inches equipment space in NEMA 3R/12 constructions. NQ and NF require 6 inch bottom end gutter in NEMA 1 construction.

Unwired (provisions for wiring to external source), add. **800.00**
Wired (with overcurrent device, thermostat), add. **1570.00**

Special Enclosures ▲

Type 1 Gasketed Enclosure (gasketing between front and enclosure)

20-inch maximum panel width..... \$494.00
Over 20-inch panel width..... 716.00

NOTE: For 250 A and below enclosures only.

▲ Feature supported by Product Selectors in Q2C and EQM.



I-Line Door-in-Door Enclosure

Stainless Steel Enclosure (Type 3R, 4, 4X, 5 and 12; UL Listed)

NOTE: For #316 stainless steel, add 15% to the prices shown below.

NQ, and NF

For panelboard heights up to 41 inches, add..... 13564.00
For panelboard heights of 44–56 inches, add..... 17564.00
For panelboard heights of 59–80 inches, add..... 21076.00

I-Line™

HCN and HCM, add..... 36190.00
HCP, add 42482.00
NOTE: 304 stainless, standard

QMB ■

Add..... 47978.00

■ Not available for QMB interiors over 800 A.



Access to Circuit Breaker Handles

Fiberglass Enclosures (Type 4X, Non-Vented; UL Listed)

NQ, and NF

28-inch height, add 6780.00
33-inch, 40-inch and 50-inch height, add 11482.00

I-Line and QMB

Add..... **Not Available**



Access to Wiring Gutters

Type 12 Door-In-Door Enclosures

Table 4.11: Available Enclosures

Interior Type	Enclosure Size			\$ Price Adder
	Height	Width	Depth	
NQ ▲	56 inches	20 inches	6.5 inches	3826.00
NF ■	56 inches	20 inches	6.5 inches	3826.00
I-Line (HCN)	92 inches	26 inches	9.5 inches	7278.00
I-Line (HCM)	91 inches	32 inches	11.5 inches	7854.00
I-Line (HCP)	68 inches	42 inches	12.7 inches	9788.00
I-Line (HCP)	86 inches	42 inches	12.7 inches	9788.00

▲ Not available for NQ interiors over 225 A.
■ Not available for NF interiors over 250 A.

Table 4.12: Main Lug Interiors with SPD

Mains Rating	Pole Spaces	Voltage	Surge Rating	Total Price Interior, Front, Box and Adapter Kit		Interior Only (Order Branch Circuit Breakers Separately)		Type 1 Enclosure						Type 3R/5/12 Enclosure ▼	
								Box 20 in. W x 5.75 in. D ■		Mono-Flat™ Front		Hinged Fronts		20 in. W x 6.5 in. D	
				Type 1	Type 3R, 5, 12	Catalog Number ▲	\$ Price	Cat. No.	\$ Price	Cat. No. ♦	\$ Price	Cat. No.	\$ Price	Cat. No.	\$ Price
225 A	30	208Y/120 Vac	120,000 A	19269.	20686.	NQ430L2TVS212	18594.	MH50	113.	NC50()	729.	NC50()HR	912.	MH50WP	2609.
				19331.	20748.	NQ430L2TVS212C	18655.								
			160,000 A	20909.	22222.	NQ430L2TVS216	20283.								
				20966.	22278.	NQ430L2TVS216C	20340.								
225 A	42	208Y/120 Vac	120,000 A	19524.	20930.	NQ442L2TVS212	18803.	MH56	113.	NC56()	786.	NC56()HR	983.	MH56WP	2652.
				19584.	20990.	NQ442L2TVS212C	18863.								
			160,000 A	21145.	22448.	NQ442L2TVS216	20477.								
				21201.	22503.	NQ442L2TVS216C	20533.								
225 A	72★	208Y/120 Vac	120,000 A	20451.	21802.	NQ472L2TVS212	19649.	MH62	113.	NC62()	887.	NC62()HR	1109.	MH62WP	2685.
				20554.	21906.	NQ472L2TVS212C	19752.								
			160,000 A	20084.	21432.	NQ442L4TVS212	19233.								
				20181.	21529.	NQ442L4TVS212C	19330.								
400 A	42	208Y/120 Vac	120,000 A	21663.	22912.	NQ442L4TVS216	20875.	MH68	113.	NC68V()	948.	NC68V()HR	1185.	MH68WP	2742.
				21754.	23003.	NQ442L4TVS216C	20965.								
			160,000 A	21279.	22659.	NQ472L4TVS212	20385.								
				21445.	22826.	NQ472L4TVS212C	20552.								
400 A	72★	208Y/120 Vac	120,000 A	21279.	22659.	NQ472L4TVS212	20385.	MH80	113.	NC80V()	1001.	NC80V()HR	1245.	MH80WP	2835.
				21445.	22826.	NQ472L4TVS212C	20552.								

- ▲ "C" suffix indicates copper bussing.
- Embossed mounting holes add a .25 inch standoff to back of MH box.
- ♦ Add "F" for flush, "S" for surface.
- ★ Use only if the Local Jurisdiction where this panelboard interior is being applied has adopted the 2008 NEC, which allows single panelboard interiors greater than 42 circuits.
- ▼ Enclosure includes trim kit.

Table 4.13: Main Circuit Breaker Interiors with SPD

Mains Rating	Pole Spaces	Voltage	Surge Rating	Total Price Interior, Front, Box and Adapter Kit ▲		Interior Only (Order Main Circuit Breaker, Kit and Branches Separately)		Main Circuit Breaker Adapter Kit			Type 1 Enclosure						Type 3R/5/12 Enclosure ▼	
								Kit Catalog No. ▲	\$ Price	Main Circuit Breaker Frame	Box 20 in. W x 5.75 in. D ♦		Mono-Flat™ Front ★		Hinged Fronts		20 in. W x 6.5 in. D	
				Type 1	Type 3R, 5, 12	Catalog Number ■	\$ Price				Cat. No.	\$ Price	Cat. No.	\$ Price	Cat. No.	\$ Price	Cat. No.	\$ Price
225 A	30	208Y/120 Vac	120,000 A	18548.	19800.	NQ430L2TVS212	17226.	NQMB2HJ or NQMB2Q or NQMB2KI	780.	HD/HG/HJ/HL or QB/QD/QG/QJ or KI	MH62	113.	NC62()	887.	NC62()HR	1109.	MH62WP	2685.
				18605.	19857.	NQ430L2TVS212C	17283.											
			160,000 A	23321.	24668.	NQ430L2TVS216	21894.											
				23382.	24734.	NQ430L2TVS216C	21955.											
225 A	42	208Y/120 Vac	120,000 A	18787.	20036.	NQ442L2TVS212	17420.	780.	MH68	113.	NC68()	948.	NC68()HR	1185.	MH68WP	2742.		
				18843.	20092.	NQ442L2TVS212C	17475.											
			160,000 A	23580.	24928.	NQ442L2TVS216	22103.											
				23640.	24988.	NQ442L2TVS216C	22163.											
225 A	72△	208Y/120 Vac	120,000 A	19589.	20831.	NQ472L2TVS212	18204.	780.	MH74	113.	NC74()	972.	NC74()HR	1215.	MH74WP	2757.		
				19685.	20927.	NQ472L2TVS212C	18299.											
			160,000 A	19225.	20504.	NQ442L4TVS212	17818.											
				19315.	20594.	NQ442L4TVS212C	17908.											
400 A	42	208Y/120 Vac	120,000 A	24051.	25431.	NQ442L4TVS216	22532.	NQMB4LA	780.	LA/LH (LC is F/A only)	MH80	113.	NC80V()	1001.	NC80V()HR	1245.	MH80WP	2835.
				24149.	25529.	NQ442L4TVS216C	22630.											

- ▲ Select the appropriate main circuit breaker from tables starting on page 7-22 and add the circuit breaker price to the total price of the panelboard.
- "C" suffix indicates copper bussing.
- ♦ Embossed mounting holes add a .25 inch standoff to back of MH box.
- ★ Add "F" for flush, "S" for surface.
- ▼ Enclosure includes trim kit.
- △ Use only if the Local Jurisdiction where this panelboard interior is being applied has adopted the 2008 NEC, which allows single panelboard interiors greater than 42 circuits.

Copper Equipment Ground Bars

Copper equivalents of our aluminum PK-GTA equipment ground bars are available. These copper ground bars accept #14-4 Cu only.



Catalog No.
NC44SHR

Table 4.14: Copper Ground Bars for NQOD and NF Panelboards (see the Digest, Section 9 for NQ copper ground bar kits)

Maximum Number of Circuits	Maximum Ampere Rating	Catalog No.	\$ Price
12	225	8010302651	35.00
18	225	8010302652	41.00
23	225	8010302653	57.00
27	400/600	PK27GTACU	75.00

Type 1 Door-in-Door (Hinged) Trim Fronts

Features

- Meets door-in-door specifications
- Provides continuous piano hinge
- Permits one-person maintenance

Table 4.16: Hinged Trim

I-Line Fronts		NQ and NF Fronts	
Catalog No. ▲	\$ Price	Catalog No. ▲■	\$ Price
HC2652T()HR	720.00	NC26()HR	620.00
HC2665T()HR	926.00	NC32()HR	657.00
HC2674T()HR	1254.00	NC38()HR	687.00
HC2683T()HR	1557.00	NC44()HR	830.00
HC2692T()HR	1751.00	NC50()HR	912.00
HC3248T()HR	846.00	NC56()HR	983.00
HC3264T()HR	1109.00	NC62()HR	1109.00
HC3273T()HR	1514.00	NC68()HR	1185.00
HC3291T()HR	2129.00	NC74()HR	1215.00
HC4250T()HR	1298.00	NC80()HR	1245.00
HC4259T()HR	1448.00	NC86()HR	1430.00
HC4268T()HR	1841.00	NC50V()HR	912.00
HC4286T()HR	2351.00	NC56V()HR	983.00
HC4486T()HR	2351.00	NC62V()HR	1109.00
—	—	NC68V()HR	1185.00
—	—	NC74V()HR	1215.00
—	—	NC80V()HR	1245.00
—	—	NC86V()HR	1430.00

- ▲ Add "S" for surface or "F" for flush in place of the parentheses.
- For welded metal directory, add "WMD" suffix to the end of the catalog number and add \$75.00 to the price.

Field Installable I-Line™ Door Kits

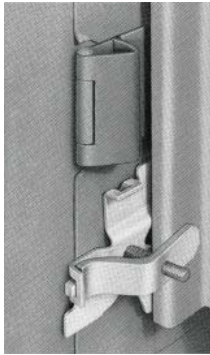
Table 4.15: I-Line Door Kits

Panel Type	Catalog No. ▲	\$ Price
HCN	HCN52D()	77.00
	HCN65D()	90.00
	HCN74D()	122.00
	HCN83D()	137.00
	HCN92D()	155.00
HCM	HCM48D()	227.00
	HCM64D()	254.00
	HCM73D()	333.00
	HCM91D()	390.00
HCP	HCW50D	323.00
	HCW59D	351.00
	HCW68D	422.00
	HCW86D	467.00
HCRU	HCW86D	467.00
HCN/HCM Latch Bracket	80104-908-50	—

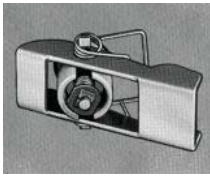
- ▲ Add "S" for surface or "F" for flush in place of the parentheses.

NOTE: HCRU door covers circuit breakers only, not entire box

Table 4.17: Trim Clamps and Screws



Catalog No.
PK1TC



Catalog No.
LP9501

Application	Catalog No.	\$ Price
NQOD Panelboards: Series E1 ▲ 400 A and 600 A fronts NEHB Panelboards: Series E1 ▲ 600 A fronts I-Line Panelboards: All Series E1 ▲ fronts	LP9501	65.00
NQOD Panelboards: All Series E1 ▲ vented fronts and hinged fronts manufactured after July 1994. NF Panelboards: All vented fronts and hinged fronts. NEHB Panelboards: All Series E1 ▲ hinged fronts manufactured after July 1994. I-Line and QMB Panelboards: I-Line front with door manufactured after July 1994 but before August 1997; and I-Line hinged fronts and QMB front with door manufactured after July 1994.	LP9502 (includes 8 trim screws and captive hardware)	81.00
NQ and NQOD Panelboards: Screws for all fronts through 225 A. NF Panelboards: Screws for all fronts through 250 A. I-Line Panelboards: 4-piece trim and trim with door manufactured after July 1997. QMB Panelboards: Screws for 4-piece covers.	4020513001K (package of 10)	3.80
I-Line Panelboards: Panelboard deadfront screws for 4-piece trim manufactured after July 1994 but before August 1997.	8002506701	0.80

▲ Panelboards that meet 1984 NEC® Wire Bending Space are Series E1.

Locks ▲



Catalog No. PK4FL and PD22FL



Catalog No. PK5FL



Catalog No. PK4NVL



Catalog No. 30007 11851

Table 4.18: Locks—Type 1 Enclosures

Application	Catalog No.	\$ Price
NQOD, NQO, and NQOB Panelboards		
All fronts on enclosures up to and including 50-inch high and 53-inch through 68-inch high vented trims	PK4FL (Before 01/06/97)	90.00
	PK22FL (After 01/06/97 NQ or NQOD only)	
All fronts on enclosures 56 inches high or higher, excluding 53-inch through 68-inch high vented trims	PK5FL (Before 11/01/99)	165.00
	PK22FL (After 11/01/99 NQOD only)	90.00
NQ and NF Panelboards		
All fronts ♦ ★ with the exception of those for use on panels using LC or LI main circuit breakers	PK22FL	90.00
Fronts on enclosures 68 inches high or higher for panels using LC or LI main circuit breakers	PK5FL	165.00
I-Line Panelboards		
HCN: Series 1 and 2 fronts on enclosures up to 54 inches high	PK4FL	90.00
HCN: Series 1 and 2 fronts on enclosures 63 inches high or higher	PK5FL	165.00
HCM: Series 1 and 2 fronts on 38-inch high enclosures	PK4FL	90.00
HCM: Series 1 and 2 fronts on enclosures 47 inches high or higher	PK5FL	165.00
I-Line Panelboards		
HCW, HCWM: Series 1 and 2 fronts	PK5FL	165.00
HCN: Series E1 ▲ fronts on enclosures up to and including 74-inches high	PK4FL (Before 11/14/97)	90.00
	PK22FL (After 11/14/97)	90.00
HCN: Series E1 ▲ fronts on enclosures 83 inches high or higher	PK5FL (Before 04/05/02)	165.00
	PK22FL (After 04/05/02) ■	90.00
HCM: Series E1 ▲ fronts on enclosures 64 inches high or higher	PK5FL (Before 11/14/97)	165.00
	PK22FL (After 11/14/97) ■	90.00
HCW, HCWM, HCWM-U, HCR-U: Series E1 ▲ Front	PK5FL	165.00
I-Line Panelboards (4-piece trim with door kit)		
HCN: Series E1 ▲ fronts on enclosures up to and including 74 inches high	PK22FL	90.00
HCN: Series E1 ▲ fronts on enclosures 83 inches high or higher	PK5FL (Before 02/22/02)	90.00
	PK22FL (After 02/22/02) ■	90.00
HCM: Series E1 ▲ fronts on enclosures 73 inches high or higher	PK22FL	90.00
HCP, HCR-U: Series E1 ▲ Front	PK5FL	165.00
HCP-SU: Series E1 ▲ Front and HCP-SU Hinged Front	PK22FL ■	90.00

- ▲ Panelboards that meet 1984 NEC® Wire Bending Space are Series E1.
- Fronts require two locks.
- ♦ Fronts 56 inches or higher on 250 A maximum interior require two locks.
- ★ Front 74 inches or higher on 600 A maximum interior require two locks.
- ▼ One NSR-251 key is included with each lock.

Table 4.19: Locks—Type 3R/12 Enclosures

Application	Catalog No.	\$ Price
NQOD, NQO, NQOB, NF all enclosures Series E1	PK4NVL	167.00
NQ, NQOD, NF Series E2	8011604350 (one handle)	90.00
	8011604351 (two handles)	159.00
I-Line and QMB Series E1	PK4NVL	167.00
I-Line and QMB Series E2	8012106350	75.00
I-Line—Handle for padlocking Series 1 and 2	3000711851	Order from the Raleigh, NC plant.
Stainless steel enclosures	HSEM-3PLH	952.00

Keys

Table 4.20: Replacement Keys

Application	Catalog No.	\$ Price
For use on all locks except those on stainless steel enclosures	LP9618	28.80
Locks on stainless steel enclosures	80106-456-01	22.50



Catalog No. LP9618

Main Circuit Breaker and Current Transformer Compartment

Service Entrance Equipment Hot or Cold Sequence Metering, Top or Bottom Feed, Indoor Construction at 600 Volts

General: Suitable for use as service entrance equipment on AC systems. Listed by Underwriters' Laboratories.

Service: 1Ø3W, 3Ø3W, 3Ø4W, rated up to 600 Vac maximum.

Metering: ▲ Current transformer compartment with provisions for installing bar type current transformers. For window type current transformers, order bus link kit from Table 4.21.

Standard unit is factory assembled for bottom feed cold sequence or top feed hot sequence metering applications. The unit is field convertible for bottom feed hot sequence or top feed cold sequence metering. Refer to instruction bulletin 80105-113-0x, *CTC Wall-Mounted Metering Equipment*, for field conversion details.

Mains: Main disconnects provided. 400-800 A: MJP. 1000-1200 A: PJP. Handle lock-off attachment provided for main circuit breaker as standard.

Refer to Digest pages 7-36—7-42 for field installable accessories.

Enclosure: Front accessible, totally enclosed, gray baked enamel finish. Available as indoor construction only. **Dimensions—78 in. H x 26 in. W x 14.3 in. D.**

- ▲ Field conversion is the customer's responsibility, only the standard configuration is built by the factory.

Note: Not EUSERC approved. For EUSERC approved Speed-D switchboards, see Digest pages 11-4 and 11-5.



Standard Unit

Inverted Unit

Service Applications

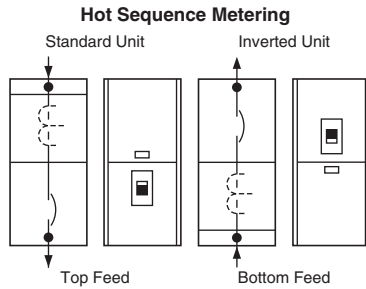
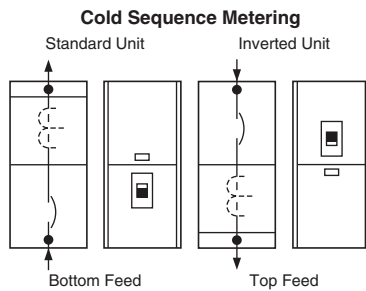


Table 4.21: Product Selection Table

System	Service Voltage (AC)	Ampere Rating of Main	Catalog Number	\$ Price
1Ø3W, 3Ø3W, 3Ø4W	600 V Max.	400 A	CTC364CU	4680.
		600 A	CTC366CU	5870.
		800 A	CTC368CU	7603.
		1000 A	CTC3610CU	9730.
		1200 A	CTC3612CU	10944.
Bus link kit—used when installing window-type current transformers ■			SS4BLC	152.
Ground fault protection—factory-installed only ♦				3145.

- Kits required per 3Ø application:
400–600 A—Order one kit
800–1200 A—Order two kits
- ♦ Must specify feed (top or bottom) and sequence (hot or cold) at the time of order.
Ground fault protection—consists of ground fault relay, ground fault sensor, and display. Available only on 1000 A and 1200 A units. The ground fault option adds 8 in. of height to the enclosure, making the total 86 in.

Table 4.22: Lug Table

Ampere Rating	Main Circuit Breaker Lug Wire Range★	Ground Lug
400 A	(3) 3/0–500 kcmil Al or Cu	#6 AWG–300 kcmil Al or Cu
600 A	(3) 3/0–500 kcmil Al or Cu	
800 A	(3) 3/0–500 kcmil Al or Cu	
1000 A	(4) 3/0–500 kcmil Al or Cu	
1200 A	(4) 3/0–500 kcmil Al or Cu	

- ★ CT bus lugs and neutral lugs are identical to the main circuit breaker lugs.

Replacement Parts for Standard Panelboards

Retrofit Existing Enclosure Data Sheet

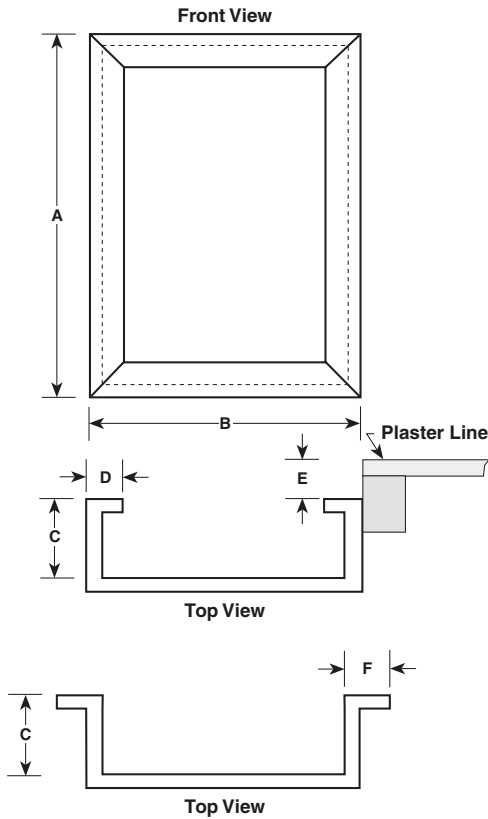
Data Sheet for Panelboards to Retrofit Existing Enclosures

Distributor: _____

Job Name: _____

Contractor: _____

Panel Marking: _____



The following dimensions are necessary for quotation and production of a panel to fit an existing enclosure. Provide dimensions in inches only.

Existing Flush-Mounted Enclosures

- Height dimension "A":
- Width dimension "B":
- Depth dimension "C":
- Flange width dimension "D":
- If enclosure is not flush with Plaster Line, dimension "E":

Existing Surface-Mounted Enclosures

- Height dimension "A":
- Width dimension "B":
- Depth dimension "C":
- Flange dimension may be either dimension "D" or "F" (select one)
 - Dimension "D":
 - Dimension "F":

NOTE: Trims are furnished so that the interior must be centered within the enclosure.

If the enclosure is deeper than the standard panelboard enclosure for the required type of panelboard, customer-supplied mounting brackets may be necessary to bring the interior out to the front of the enclosure.

If interior requires a vented enclosure, contact your nearest Schneider Electric sales office for assistance.

This data sheet is also available on-line.

1. Go to <http://intranet.us.schneider-electric.com>
2. Click on **U.S. Business**, then select **Sales & Marketing Home** from the pulldown menu
3. On the Sales & Marketing page, select **Support and Resources**
4. On the Support and Resources page, select **Mentor** from the **Tools** options
5. On the Mentor page, select **Mentor Order Quality** from the **Mentor Application** options
6. When the Mentor order page appears, type in a project name in the **Project Name:** field, an 8-character number in the **Q2C #** field and your name in the **Prepared by:** field. Click on the box next to **Panelboards**, and then click on the **Next-->** button at the top of the page.
7. On the Panelboards Mentor page, click on the box next to **Trims to Fit**, and then click on the **Next-->** button at the top of the page.
8. When the **File Download** window appears, click on the **Open** option.
9. When the Mentor document opens, click on the **Trims to Fit Data Sheet** link at the bottom of the page.
10. When the **File Download** window appears, click on the **Open** option to display the data sheet, or click the **Save** option to save the data sheet to your hard drive.