

Table of Contents
Section 13
Wire Management



Wireway pp. 13-2



Wall Duct pp. 13-4



Trench Duct pp. 13-5

Wireway

General Purpose Wireway	13-2
Oiltight Wireway	13-3
Raintight Wireways	13-3
Raintight Troughs	13-3

Wall Duct

General Description	13-4
Components and Accessories	13-4, 13-5

Trench Duct

General Description	13-5
Straight Sections and Fittings	13-6
Accessories and Components	13-6



Painted Hinge-Cover★
Type LDB—ANSI 49 Gray
Polyester Powder Finish

General Purpose—NEMA Type 1

Standards

Square-Duct wireway is Underwriters Laboratories listed as steel enclosed wireway and auxiliary gutter. CSA listing is also available.

Sizes

2-1/2", 4", and 6" sizes are manufactured from 16 gauge steel. Straight lengths are available with or without knockouts. Knockouts are of various sizes in sides and bottom of wireway. 8", 10", and 12" sizes are made of 14 gauge steel and are furnished without knockouts.

Table 13.1: (Connectors not supplied; order separately▲)

Component	2-1/2" x 2-1/2"			4" x 4"			6" x 6"			8" x 8"		10" x 10"		12" x 12"★	
	Catalog Number		\$ Price	Catalog Number		\$ Price	Catalog Number		\$ Price	Cat. No.	\$ Price	Cat. No.	\$ Price	Cat. No.	\$ Price
	With Knockouts	Without Knockouts		With Knockouts	Without Knockouts		With Knockouts	Without Knockouts							
1' Length	LDB21KO	LDB21	24.00	LDB41KO	LDB41	26.10	LDB61KO	LDB61	48.20	LDB81	76.00	LDB101	97.00	LDB121	107.00
2' Length	LDB22KO	LDB22	34.80	LDB42KO	LDB42	38.50	LDB62KO	LDB62	59.00	LDB82	116.00	LDB102	160.00	LDB122	206.00
3' Length	LDB23KO	LDB23	44.20	LDB43KO	LDB43	54.00	LDB63KO	LDB63	84.00	LDB83	177.00	LDB103	226.00	LDB123	308.00
4' Length	LDB24KO	LDB24	61.00	LDB44KO	LDB44	75.00	LDB64KO	LDB64	111.00	LDB84	215.00	LDB104	294.00	LDB124	371.00
5' Length	LDB25KO	LDB25	75.00	LDB45KO	LDB45	80.00	LDB65KO	LDB65	120.00	LDB85	240.00	LDB105	362.00	LDB125	427.00
6' Length	—	—	—	LDB46KO	LDB46	96.00	LDB66KO	LDB66	151.00	LDB86	284.00	LDB106	428.00	—	—
10' Length	LDB210KO	LDB210	151.00	LDB410KO	LDB410	167.00	LDB610KO	LDB610	284.00	LDB810	507.00	LDB1010	693.00	LDB1210	882.00
90° L	—	LDB290L	54.00	—	LDB490L	61.00	—	LDB690L	69.00	LDB890L	111.00	LDB1090L	158.00	LDB1290L	202.00
90° Sweep L	—	LDB290LS	95.00	—	LDB490LS	107.00	—	LDB690LS	155.00	LDB890LS	200.00	LDB1090LS	308.00	LDB1290LS	410.00
45° L	—	LDB245L	54.00	—	LDB445L	66.00	—	LDB645L	69.00	LDB845L	111.00	LDB1045L	158.00	LDB1245L	202.00
Tee	—	LDB2T	62.00	—	LDB4T	75.00	—	LDB6T	84.00	LDB8T	155.00	LDB10T	206.00	LDB12T	292.00
Junction Box	—	LDB2J	69.00	—	LDB4J	84.00	—	LDB6J	104.00	LDB8J	164.00	LDB10J	208.00	LDB12J	292.00
Telescope Ftg.	—	LDB2TF	101.00	—	LDB4TF	111.00	—	LDB6TF	131.00	LDB8TF	218.00	LDB10TF	271.00	LDB12TF	317.00
Connector▲	—	LDB2C	7.70	—	LDB4C	9.50	—	LDB6C	11.40	LDB8C	23.10	LDB10C	33.60	LDB12C	46.30
Drop/Brkt Hgr.	—	LDB2H	14.80	—	LDB4H	17.10	—	LDB6H	30.80	LDB8H	44.60	LDB10H	75.00	LDB12H	118.00
Support Hanger	—	LDB2SH	9.20	—	LDB4SH	12.60	—	LDB6SH	22.10	LDB8SH	31.50	LDB10SH	43.10	LDB12SH	58.00
Closing Plate	LDB2CPKO	LDB2CP	7.70	LDB4CPKO	LDB4CP	9.50	LDB6CPKO	LDB6CP	11.40	LDB8CP■	15.50	LDB10CP■	25.20	LDB12CP■	34.80
Panel Adapter	—	LDB2A	23.00	—	LDB4A	27.10	—	LDB6A	35.40	LDB8A	48.20	LDB10A	71.00	LDB12A	80.00
Open Adapter	—	LDB2OA	30.50	—	LDB4OA	45.20	—	LDB6OA	59.00	LDB8OA	74.00	LDB10OA	108.00	LDB12OA	142.00
Reducer	—	—	—	—	LDB42R	39.80	—	LDB64R	69.00	LDB86R	80.00	LDB108R	100.00	LDB1210R	109.00
Adapter to "LD"♦	—	LDB2GASK	23.00	—	LDB4GAS	29.10	—	LDB6GAS	36.50	LDB8GASK	44.20	LDB10GASK	88.00	—	—
Barrier Kit—5 ft. long w/hardware	—	—	—	—	LJB45B	34.80	—	LJB65B	70.00	LJB85B	87.00	—	—	—	—
5 pc. Barrier Pack—5 ft. long	—	—	—	—	LJB45BKM	79.00	—	LJB65BKM	120.00	—	—	—	—	—	—
5 pc. Barrier Bracket—2 compartment	—	—	—	—	LJB4BB2C	23.10	—	LJB6BB2C	80.00	—	—	—	—	—	—
5 pc. Barrier Bracket—3 compartment	—	—	—	—	LJB4BB3C	49.40	—	LJB6BB3C	96.00	—	—	—	—	—	—

- ▲ Add connectors for all lengths and fittings, except closing plates, reducers, and adapters.
- These closing plates also available with knockout. Add "KO" to cat #; price is the same.
- ♦ Adapters to competitors' wireways also available. Contact your nearest Schneider Electric sales office for price and availability.
- ★ Painted 12" x 12" wireway is not furnished with hinge-cover (screw-cover only).

NOTE: For wireway fill information, see NEC 376.

Oiltight—NEMA Type 12

Type LJB Oiltight lay-in wireway is fully gasketed and used to protect runs of electrical wiring from oil, water, coolants, dirt, or dust as well as physical damage. This wireway is manufactured to exceed oiltight and NFPA standards for industrial control equipment.



Lengths and fittings are made of 14 gauge steel with 10 gauge end flanges. Straight lengths and fittings have hinged covers with oil resistant gasket all around and are held closed with pull-down latches. All lengths and fittings are without knockouts. Type LJB lay-in Wireway is finished with ANSI-49 gray polyester powder finish over a corrosion resistant phosphate preparation. All Type LJB oiltight wireway is UL listed as steel enclosed wireway and auxiliary gutter. Conforms to NEMA Type 12.

Table 13.2: Type LJB Lay-in

Description	2-1/2" x 2-1/2"		4" x 4"		6" x 6"		8" x 8"		12" x 6"	
	Catalog No.	\$ Price	Catalog No.	\$ Price	Catalog No.	\$ Price	Catalog No.	\$ Price	Catalog No.	\$ Price
1" Nipple	LJB201	74.00	LJB401	76.00	LJB601	95.00	—	—	—	—
2" Nipple	LJB202	80.00	LJB402	81.00	LJB602	100.00	—	—	—	—
3" Nipple	LJB203	84.00	LJB403	85.00	LJB603	106.00	—	—	—	—
6" Length	LJB206	92.00	LJB406	99.00	LJB606	123.00	LJB806	170.00	LJB12606	251.00
1' Length	LJB21	99.00	LJB41	110.00	LJB61	135.00	LJB81	202.00	LJB1261	325.00
2' Length	LJB22	129.00	LJB42	135.00	LJB62	184.00	LJB82	271.00	LJB1262	518.00
3' Length	LJB23	147.00	LJB43	168.00	LJB63	230.00	LJB83	330.00	LJB1263	624.00
4' Length	LJB24	186.00	LJB44	201.00	LJB64	280.00	LJB84	391.00	LJB1264	741.00
5' Length	LJB25	201.00	LJB45	227.00	LJB65	332.00	LJB85	452.00	LJB1265	846.00
10' Length▲	LJB210	352.00	LJB410	439.00	LJB610	637.00	LJB810	842.00	LJB12610	1523.00
45° Top Opening	LJB245LT	201.00	LJB445LT	182.00	LJB645LT	234.00	LJB845LT	332.00	LJB12645LT	410.00
45° Inside Opening	LJB245LI	159.00	LJB445LI	182.00	LJB645LI	234.00	LJB845LI	332.00	—	—
45° Outside Opening	LJB245LO	159.00	LJB445LO	182.00	LJB645LO	234.00	LJB845LO	332.00	—	—
90° Inside Opening	LJB290LI	159.00	LJB490LI	182.00	LJB690LI	234.00	LJB890LI	332.00	LJB12690LI	410.00
90° Outside Opening	LJB290LO	159.00	LJB490LO	182.00	LJB690LO	234.00	LJB890LO	332.00	LJB12690LO	410.00
90° Outside Top Opening	—	—	LJB490LOT	182.00	LJB690LOT	234.00	LJB890LOT	332.00	—	—
90° Top Opening	LJB290LT	159.00	LJB490LT	182.00	LJB690LT	234.00	LJB890LT	332.00	LJB12690LT	410.00
Tee—Top Opening	LJB2TT	188.00	LJB4TT	238.00	LJB6TT	285.00	LJB8TT	365.00	LJB126TT	572.00
Tee—Outside Opening	LJB2TO	221.00	LJB4TO	273.00	LJB6TO	328.00	LJB8TO	421.00	—	—
Cross	LJB2X	259.00	LJB4X	318.00	LJB6X	383.00	LJB8X	530.00	LJB126X	683.00
Junction Box	LJB2JB	247.00	LJB4JB	289.00	LJB6JB	351.00	LJB8JB	431.00	—	—
Telescopic Fitting	LJB2TF	144.00	LJB4TF	155.00	LJB6TF	177.00	LJB8TF	257.00	LJB126TF	464.00
Closing Plate	LJB2CP	29.70	LJB4CP	32.80	LJB6CP	43.40	LJB8CP	61.00	LJB126CP	81.00
Panel Adapter	LJB2A	29.00	LJB4A	39.80	LJB6A	47.80	LJB8A	76.00	LJB126A	107.00
Bracket Hanger	LJB2BH	15.50	LJB4BH	18.80	LJB6BH	25.10	LJB8BH	66.00	—	—
Drop Hanger	LJB2DH	19.20	LJB4DH	25.10	LJB6DH	39.50	LJB8DH	75.00	—	—
Extra Connector Kit■	LJB2C	21.20	LJB4C	27.10	LJB6C	29.10	LJB8C	38.50	LJB126C	46.30
90° Connector	LJB290C	21.20	LJB490C	27.10	LJB690C	29.10	LJB890C	38.50	LJB12690C	79.00
Reducer to 2"	—	—	LJB42R	97.00	—	—	—	—	—	—
Reducer to 4"	—	—	—	—	LJB64R	132.00	—	—	LJB1264R	144.00
Reducer to 6"	—	—	—	—	—	—	LJB86R	167.00	LJB1266R	144.00
Cut-off fitting—not Lay-in	LJB2CF	84.00	LJB4CF	100.00	LJB6CF	124.00	LJB8CF	181.00	LJB126CF	211.00
Cut-off fitting—Lay-in	LJB2CFL	150.00	LJB4CFL	166.00	LJB6CFL	190.00	LJB8CFL	266.00	LJB126CFL	318.00
Transposition Fitting—CCW (Str)	LJB21CCW	159.00	LJB41CCW	177.00	LJB61CCW	234.00	—	—	—	—
Transposition Fitting—CW (Str)	LJB21CW	140.00	LJB41CW	177.00	LJB61CW	211.00	—	—	—	—
Transposition Elbow—CCW	LJB290LCCW	159.00	LJB490LCCW	182.00	LJB690LCCW	234.00	LJB890LCCW	315.00	—	—
Transposition Elbow—CW	LJB290LCW	159.00	LJB490LCW	182.00	LJB690LCW	234.00	LJB890LCW	315.00	—	—
Swivel fitting—Wireway to Wireway	LJB2S	171.00	LJB4S	184.00	LJB6S	254.00	LJB8S	340.00	—	—
Swivel fitting—Wireway to Box	LJB2SB	171.00	LJB4SB	184.00	LJB6SB	254.00	LJB8SB	340.00	—	—
Flex Fitting—Feed Through	LJB2FF	212.00	LJB4FF	299.00	LJB6FF	385.00	LJB8FF	418.00	—	—
Barrier Kit—5 ft. long w/hardware	—	—	LJB45B	34.80	LJB65B	70.00	LJB85B	87.00	LJB65B	70.00
5 pc. Barrier Pack—5 ft. long	—	—	LJB45BKM	79.00	LJB65BKM	120.00	—	—	—	—
5 pc. Barrier Bracket—2 compartment	—	—	LJB4BB2C	23.10	LJB6BB2C	80.00	—	—	—	—
5 pc. Barrier Bracket—3 compartment	—	—	LJB4BB3C	49.40	LJB6BB3C	99.00	—	—	—	—

- ▲ 10 foot straight lengths UL listed for up to 10 foot hanger spacing.
- Connector kit furnished with each length and fitting.

Raintight Wireway—NEMA Type 3R

Outdoor raintight wireway is used to protect electrical wiring against rain, sleet, and physical damage. Unique drip shield cover protects wiring from weather and maintains the "lay-in" feature for ease of wiring installation. Lengths and fittings are constructed of 16 gauge galvanized steel with ANSI-49 gray polyester powder finish over a corrosion resistant phosphate preparation. Underwriters Laboratories Listed as steel enclosed wireway and auxiliary gutter (*horizontal mounting only*). Conforms to NEMA Type 3R.

Table 13.3: Raintight Wireway

Description▲	4" x 4"		6" x 6"		8" x 8"	
	Catalog Number	\$ Price	Catalog Number	\$ Price	Catalog Number	\$ Price
1' Length	LDRB41M	99.00	LDRB61M	150.00	LDRB81M	226.00
5' Length	LDRB45M	198.00	LDRB65M	291.00	LDRB85M	474.00
10' Length	LDRB410M	487.00	LDRB610M	641.00	LDRB810M	641.00
90° L	LDRB490L	148.00	LDRB690L	198.00	LDRB890L	278.00
30° Sweep L	LDRB430SE	302.00	LDRB630SE	431.00	LDRB830SE	546.00
Tee	LDRB4T	186.00	LDRB6T	347.00	LDRB8T	317.00
Junction Box	LDRB4J	257.00	LDRB6J	296.00	LDRB8J	439.00
Panel Adapter	LDRB44A	87.00	LDRB66A	88.00	LDRB88A	126.00
Connector▲	LDRB4C	21.00	LDRB6C	31.50	LDRB8C	42.00
Closing Plate	LDRB4CP	48.20	LDRB6CP	58.00	LDRB8CP	67.00
Drop Hanger	LDRB4DH	23.10	LDRB6DH	32.60	LDRB8DH	63.00
Wall Hanger	LDRB4WH	53.00	LDRB6WH	84.00	LDRB8WH	116.00
Reducer	—	—	LDRB64R	132.00	LDRB86R	164.00

- ▲ Add connectors for all lengths and fittings.

Raintight Trough—NEMA Type 3R

Raintight trough is designed for ganging meter devices, panelboards, switches, and circuit breaker enclosures. Each length is a completely enclosed section with a removable cover that has provisions for sealing.

Design: 4" and 6" wireway is constructed of 16 gauge galvanized steel. 8", 10", and 12" wireway is constructed of 14 gauge galvanized steel. All raintight troughs conform to NEMA Type 3R.

Finish: ANSI-49 gray polyester powder finish over a corrosion resistant phosphate preparation. All raintight troughs are Underwriters Laboratories listed as steel enclosed wireway and auxiliary gutter (*horizontal mounting only*).

Table 13.4: Raintight Trough

Length	4" x 4"		6" x 6"		8" x 8"		10" x 10"		12" x 12"	
	Cat. No.	\$ Price	Cat. No.	\$ Price	Cat. No.	\$ Price	Cat. No.	\$ Price	Cat. No.	\$ Price
1'	RDB41	84.00	RDB61	109.00	—	—	—	—	—	—
2'	RDB42	120.00	RDB62	162.00	RDB82	215.00	RDB102	289.00	RDB122	366.00
3'	RDB43	151.00	RDB63	212.00	RDB83	287.00	RDB103	382.00	RDB123	440.00
4'	RDB44	188.00	RDB64	266.00	RDB84	360.00	—	—	—	—
5'	RDB45	224.00	RDB65	318.00	RDB85	427.00	RDB105	527.00	RDB125	626.00
6'	—	—	RDB66	372.00	RDB86	589.00	RDB106	632.00	RDB126	673.00

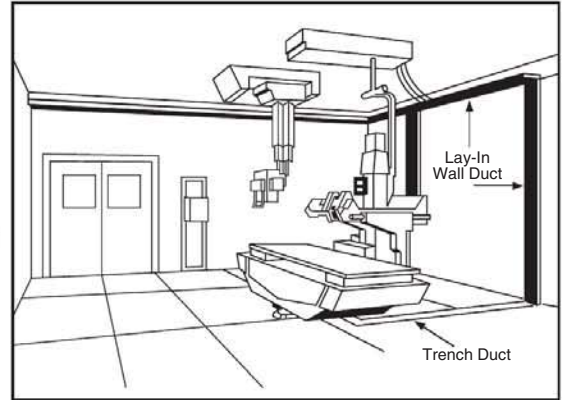
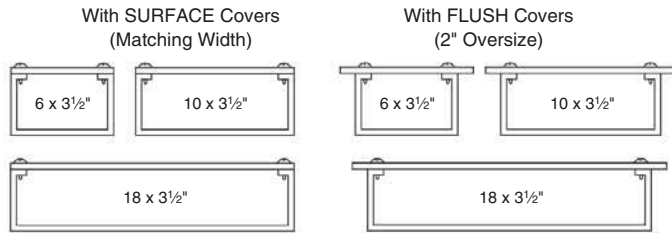
Class 5250—Wall Duct

UL Listed, File E65247, for Enclosure of Wiring to X-Ray Machines. Also available in aluminum for MRI application.

Wall duct is used as the continuation for standard trench duct in the floor. Wall duct can be routed up the wall and across the ceiling or under the finished floor (in ceiling space below) to provide a continuous lay-in raceway system from control consoles and floor equipment to overhead apparatus. Devices are furnished complete with covers and are available for either flush or surface mounted installations.

General Notes:

1. Standard construction is 14 gauge steel with gray electrodeposition paint. Alternate construction is painted aluminum.
2. Covers and coupling devices are furnished with each device.
3. Wire retainers are furnished with each device.
4. Straight lengths are field cut to length.
5. Partitions and tunnels are to be field modified and installed where required.
6. Hangers or other mounting devices to be furnished by others.



Components and Accessories

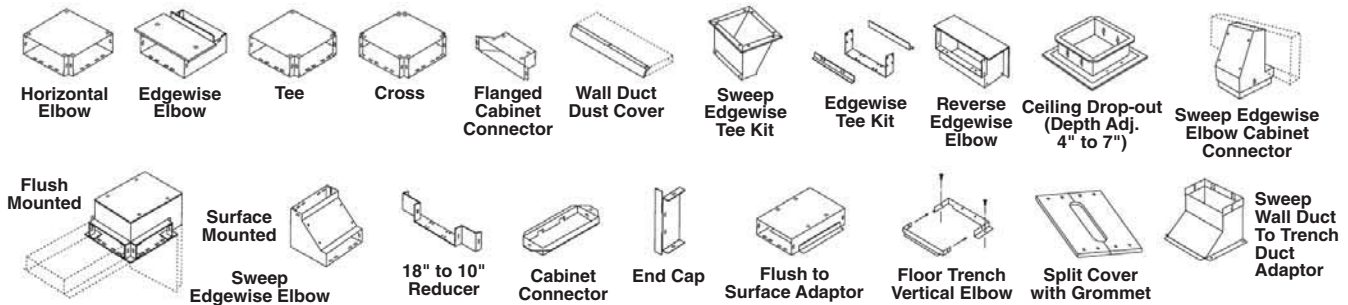


Table 13.5: Lay-In Wall Duct Components

Component	Flush Cover			Surface Cover		
	Catalog Number	\$ Price	Weight Lbs.	Catalog Number	\$ Price	Weight Lbs.
5'-0" Straight Length With Cover 6"W	RWT06S60	668.00	22.5	RWT06S60S	668.00	20.4
	RWT10S60	668.00	39.2	RWT10S60S	668.00	36.4
	RWT18S60	836.00	62.2	RWT18S60S	836.00	59.4
1'-6" Straight Length With Cover 6"W	RWT06S18	334.00	12.6	RWT06S18S	334.00	12.6
	RWT10S18	334.00	16.4	RWT10S18S	334.00	16.3
	RWT18S18	418.00	23.3	RWT18S18S	418.00	23.3
Horizontal Elbow With Cover—90° 6"W	RWT06HE	534.00	6.5	RWT06HES	534.00	6.0
	RWT10HE	534.00	9.3	RWT10HES	534.00	8.1
	RWT18HE	668.00	24.9	RWT18HES	668.00	23.7
Horizontal Elbow With Cover—45° 6"W	—	—	—	RWT06HE45S	534.00	6.0
	—	—	—	RWT10HE45S	534.00	8.1
	—	—	—	RWT18HE45S	668.00	23.7
Edgewise Elbow With Cover 6"W	RWT06EE	534.00	5.5	RWT06EES	534.00	5.5
	RWT10EE	534.00	7.5	RWT10EES	534.00	7.4
	RWT18EE	668.00	11.1	RWT18EES	668.00	11.0
Tee With Cover 6"W	RWT06TE	534.00	6.2	RWT06TES	534.00	5.9
	RWT10TE	534.00	8.5	RWT10TES	534.00	7.3
	RWT18TE	668.00	24.1	RWT18TES	668.00	22.9
Cross With Cover 10"W	RWT10XE	534.00	1.3	RWT10XES	534.00	6.2
	RWT18XE	668.00	1.8	RWT18XES	668.00	21.8
	Flanged Cabinet Connector With Cover 10"W	RWT10CUC	334.00	8.0	RWT10CUCS	334.00
Reverse Edgewise Elbow With Cover 6"W	RWT06REE	534.00	5.8	RWT06REES	534.00	5.7
	RWT10REE	534.00	7.5	RWT10REES	534.00	7.4
	RWT18REE	668.00	11.1	RWT18REES	668.00	11.0
Sweep Edgewise Elbow With Cover 6"W	—	—	10.0	RWT06SSEES	534.00	4.8
	RWT10SFEE	534.00	12.0	RWT10SSEES	534.00	11.8
	RWT18SFEE	668.00	16.5	RWT18SSEES	668.00	16.3
Sweep Edgewise Elbow Cabinet Connector 10"W	—	—	—	RWT10SWECC	668.00	14.0
	—	—	—	RWT18SWECC	878.00	20.0

Note: All devices available in aluminum. Add "A" suffix to the catalog number. Contact your local Schneider Electric sales office for pricing.

Wall Duct Accessories

Table 13.6: Lay-In Wall Duct Accessories

Accessories	Catalog Number	\$ Price	Weight Lbs.
5'-0" Partition	RWTP60	100.00	5.4
Straight through tunnel for tees ▲ 10"W 18"W	RWT10ST RWT18ST	100.00 124.00	2.9 3.8
90° Elbow tunnel for crosses ▲ 10"W 18"W	RWT10ET RWT18ET	150.00 222.00	3.2 5.1
3 compartment tunnel for tees 10"W 18"W	RWT10PTE RWT18PTE	368.00 420.00	5.0 6.0
3 compartment tunnel for crosses 10"W 18"W	RWT10PXE RWT18PXE	526.00 630.00	8.0 9.0
Edgewise Tee Kit 10"W 18"W	RWT10ETK RWT18ETK	150.00 222.00	1.3 2.1
Sweep Edgewise Tee Kit 10"W 18"W	RWT10SWET RWT18SWET	822.00 990.00	8.0 8.0
Flush to Surface Adaptor 10"W 18"W	RWT10FS RWT18FS	418.00 522.00	11.9 16.4
Ceiling Drop-Out 12x12 Flush Cover 8"x8"	RWTCDO	584.00	15.0
Extra Coupling Device 10"W 18"W	RWT10COUP RWT18COUP	40.80 64.00	.4 .5
Extra Straight Cover—30" long (Order 2 pcs. for 5 ft. of duct.) Flush 10"W 18"W Surface 10"W 18"W	RWT10SCOV RWT18SCOV RWT10SCOVs RWT18SCOVs	100.00 130.00 69.00 130.00	7.2 13.0 6.1 11.8

▲ Tunnels form a 3" wide compartment.
Note: All devices available in aluminum. Add "A" suffix to the catalog number. Contact your local Schneider Electric sales office for pricing.

Table 13.7: Wall Duct Accessories

Accessories	Catalog Number	\$ Price	Weight Lbs.
Reducer Coupling—18" to 10" 10" to 6"	RWTRC RWT06RC	150.00 150.00	2.1 1.6
Cabinet Connector 6"W 10"W 18"W	RWT06CC RWT10CC RWT18CC	150.00 150.00 222.00	1.0 1.3 2.4
End Cap 6"W 10"W 18"W	RWT06EC RWT10EC RWT18EC	84.00 84.00 104.00	1.0 1.3 1.8
Vertical Elbows for: 6" Trench to 6" Wall Duct 12" Trench to 10" Wall Duct 12" Trench to 18" Wall Duct 18" Trench to 10" Wall Duct 18" Trench to 18" Wall Duct	RWT06FTVE06 RWT10FTVE12 RWT18FTVE12 RWT10FTVE18 RWT18FTVE18	160.00 160.00 280.00 200.00 250.00	1.1 1.2 1.2 1.3
Sweep Trench Duct to Wall Duct Adaptor (available in surface cover only) 12" Trench to 10" Wall Duct 18" Trench to 18" Wall Duct	RWT10SWFTVE12 RWT18SWFTVE18	348.00 522.00	10.0 14.0
Split Cover with Grommet 12" long—3"x 8" Opening Flush 6"W 10"W 18"W	RWT06ACP RWT10ACP RWT18ACP	94.00 94.00 104.00	2.6 3.1 4.8
Surface 6"W 10"W 18"W	RWT06ACPS RWT10ACPS RWT18ACPS	74.00 74.00 93.00	2.0 2.7 4.0
Dust Cover—5 ft. long Grommet—100 ft. roll	RWTDCCOV60 RWTBG100	150.00 440.00	5.5

Note: All devices available in aluminum. Add "A" suffix to the catalog number. Contact your local Schneider Electric sales office for pricing.

Trench Duct

- STANDARD LENGTH of trench duct is 10 ft. Gasketed cover plates are ordered and shipped separately.
- FEATURES of trench duct:
 - Trench duct width is cover plate width.
 - Tub width is trench duct width less 1.8".
 - Overall width (bottom flange to flange) is 3" wider than trench duct width.
 - Standard depth is adjustable from 2-3/8" to 3-3/8". Also available as standard is depth adjustable from 3" to 4". To order, change "2" to "3". Ex. RSV063100120. Applies to trench duct, elbows, crosses, tees, and reducers. Same price as standard device. Other depths available.
 - Tees, crosses, horizontal elbows, and reducers are shipped complete with cover plates assembled.
 - Grey vinyl tile trim is furnished as standard. Aluminum is available when requested.
 - All compartments over 17" wide must be supported with dividers or posts.
- PRICES for additions and special features:
 - For each foot of adjustable partition, add **\$64.00** per foot of partition.
 - For each 1" of depth beyond range of 3" to 4", add **\$32.00** per foot of trench duct.
 - For double tile trim on two sides of cover plate, ONLY add **\$120.00** per foot of trench duct.
 - For double tile trim on all four sides of cover plate, add **\$400.00** per foot of trench duct.
 - For support post, add **\$64.00** per foot of trench duct for each row of posts required.

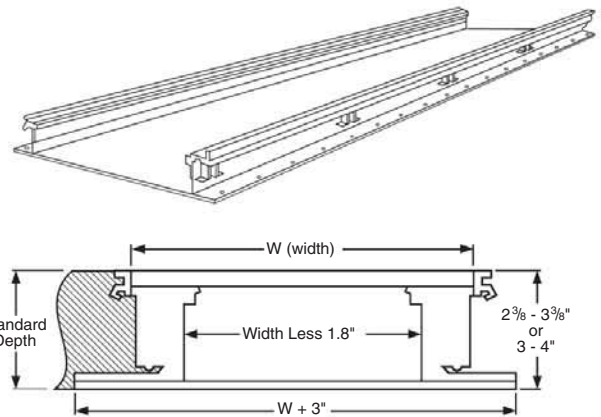



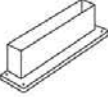
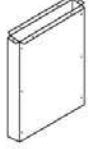

Table 13.8: Assembled Trench Duct

All part numbers listed below are for 2 3/8"-3 3/8" deep, one compartment trench with vinyl tile trims.

Straight Sections	Trench Duct				Complete Device	
	Length	Width	Catalog Number	\$ Price	Per 10' Length	Per Foot
10'-0"	6"	6"	RSV062100120	1840.00	3240.00	324.00
	9"	9"	RSV092100120	1840.00	3240.00	324.00
	12"	12"	RSV122100120	2220.00	3920.00	392.00
	18"	18"	RSV182100120	2640.00	4740.00	474.00
	24"	24"	RSV242100120	3160.00	5660.00	566.00
	30"	30"	RSV302100120	3800.00	7100.00	710.00
Full Length	Covers Only (5 Plates per 10' Length) ■					
	24"	6"	RCP0624	280.00	3240.00	324.00
		9"	RCP0924	280.00	3240.00	324.00
		12"	RCP1224	340.00	3920.00	392.00
		18"	RCP1824	420.00	4740.00	474.00
		24"	RCP2424	500.00	5660.00	566.00
30"	RCP3024	660.00	7100.00	710.00		
12"	12"	RCP1212	268.00	—	—	
	18"	RCP1812	334.00	—	—	
Factory Cut-to-Length (12" Wide Only)	6'-0"L	12"	RSV122100072	1654.00	—	—
	4'-3-1/2"L	12"	RSV122100051.5	1102.00	—	—
	3'-3-1/2"L	12"	RSV122100039.5	1102.00	—	—
	2'-0"L	12"	RSV122100024	550.00	—	—
	1'-0"L	12"	RSV122100012	550.00	—	—
	0'-3-1/2"L	12"	RSV122100003.5	268.00	—	—
3-24" Long Covers ♦ 2-24" Long Covers & 1 - Wall Duct Vertical Elbow ♦ 1-24" & 1-12" Long Cover & 1-Wall Duct Vertical Elbow ♦ 1-24" Long Cover ♦ 1-12" Long Cover ♦ 1-Wall Duct Vertical Elbow ♦						All ordered separately





■ Straight length cover plates are shipped separately and must be ORDERED SEPARATELY.
♦ Covers and/or vertical elbows for connecting trench duct to lay-in wall duct—ORDER SEPARATELY.

Table 13.9: Trench Duct Fittings

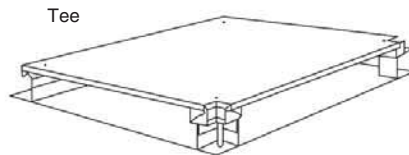
Item	Width	Catalog No.	\$ Price
 End Closures▲	6"	REC06	116.00
	9"	REC09	116.00
	12"	REC12	140.00
	18"	REC18	168.00
	24"	REC24	202.00
	30"	REC30	242.00
 Vertical Elbows	6"	RVE06	398.00
	9"	RVE09	398.00
	12"	RVE12	440.00
	18"	RVE18	570.00
	24"	RVE24	646.00
	30"	RVE30	762.00
 Riser and Cabinet Connector (Removable Front)	6"	RRC06	500.00
	9"	RRC09	500.00
	12"	RRC12	602.00
	18"	RRC18	722.00
	24"	RRC24	866.00
	30"	RRC30	1038.00
 Z-Divider 5'-0"▲ Adjustable Barrier and Support Strip		RZD60	252.00
Tape for Trench Duct (180 ft. rolls)		G1414	132.00
Marker for Cellular Floor		G1426	20.60

▲ For 3" to 4" trench duct, add a "3" to end of catalog number.
Note: All devices through 18" width are available in aluminum. Height is factory-set to customer specifications from 2-1/2 to 4 inches. (Non-Adjustable)

Table 13.10: Trench Duct Elbows, Tees, and Crosses

Item	Complete Device		
	Width	Catalog Number	\$ Price
 90° Horizontal▲ Elbows	6"	RHV062100009	1168.00
	9"	RHV092100012	1168.00
	12"	RHV122100015	1462.00
	18"	RHV182100021	1670.00
	24"	RHV242100027	2284.00
	30"	RHV302100033	2854.00
 45° Horizontal Elbow▲	12"	RHV12245	1446.00
 Tees▲	6"	RTV062100011	1168.00
	9"	RTV092100014	1168.00
	12"	RTV122100017	1462.00
	18"	RTV182100023	1828.00
	24"	RTV242100029	2284.00
	30"	RTV302100035	2854.00
 Crosses▲	6"	RXV062100012	1670.00
	9"	RXV092100015	1670.00
	12"	RXV122100018	2086.00
	18"	RXV182100024	2610.00
	24"	RXV242100030	3262.00
	30"	RXV302100036	4076.00

▲ Includes cover; shipped attached.



Note: All cover plate corner notches are 1-1/2" deep.

Accessories and Components

Table 13.11: Trench Duct Accessories

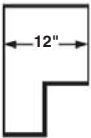

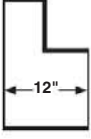

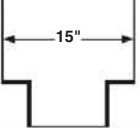


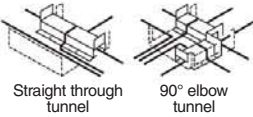
Item/Catalog Number	\$ Price	Item/Catalog Number	\$ Price
 Right Hand Reducer 18" to 12" Cover Included	RRV182100012RR 1670.00	 U-Compartment 5'-0" Long x 3 -1/2" Wide with Adjustable Height Sides	RUC60 500.00
 Left Hand Reducer 18" to 12" Cover Included	RRV182100012LR 1670.00	 Leveling Legs Support Channel Leveling Legs Not Included 5/16 x 18 x 3"	G1500T12 84.00 G1500T24 84.00 G1500T36 84.00 G19103 17.00
 Reducing Tee 18" to 12" Cover Included	RTV182100017 1754.00	 Cover Lifter (Suction Cup Device)	G1735S 836.00
 Spacer Bar and Barrier Adjustment Gage	6" RSB06 200.00 9" RSB09 200.00 12" RSB12 252.00 18" RSB18 312.00 24" RSB24 392.00 30" RSB30 470.00	 Tunnels for Trench Duct Elbows (Tee or Cross) 90° tunnel for 12" trench 90° tunnel for 18" trench Straight tunnel for 12" trench Straight tunnel for 18" trench	RSV122ET 200.00 RSV182ET 280.00 RSV122ST 116.00 RSV182ST 118.00

Table 13.12: Grommets

Grommet Material (50 ft. rolls)	RG50	152.00
---------------------------------	------	--------