

# Electric Vehicle Charging Solutions

Powering the Future of Sustainable Mobility

Catalog  
2800CT1001

2011

Class 2800



## CONTENTS

Description .....	Page 3
Catalog Numbering System .....	Page 3
Indoor Charging Stations .....	Page 4
Outdoor Charging Stations .....	Page 7
Wall-Mount .....	Page 7
Pedestal-Mount .....	Page 8



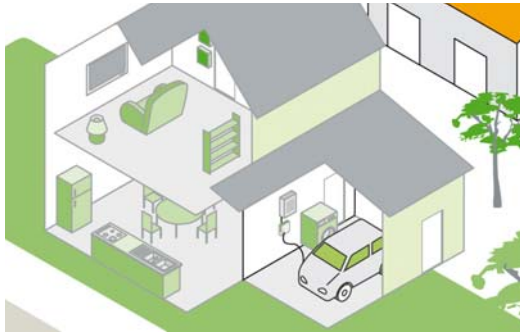


## Description

## Smart Charging, Smart Savings, Smart Grid

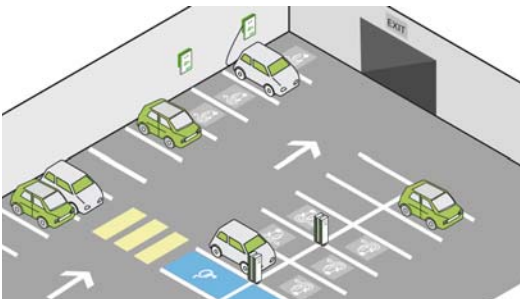
Schneider Electric has developed a line of Electric Vehicle (EV) charging solutions for your unique needs. Schneider Electric will work with you to deliver the best charging infrastructure solution that includes product, installation, maintenance, and an infrastructure management system.

Our EV charging products are compatible with safety standards and industry specific standards, such as the Society of Automotive Engineers standards (SAE J1772).



### Residential Charging Solutions

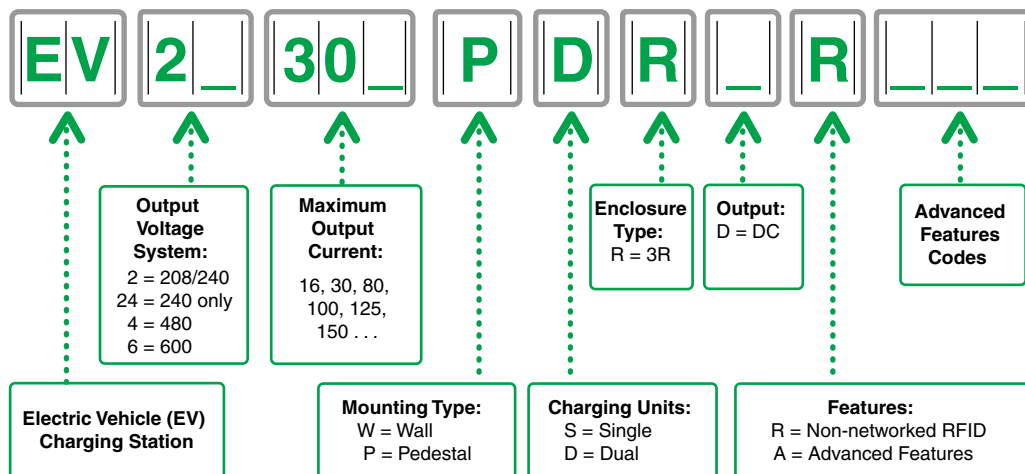
Our residential charging stations provide simple, easy-to-install, and user-friendly solutions for charging electric vehicles at home. Installations are provided by a network of licensed installers. Advanced versions feature intelligent communications and smart-grid integration options.



### Commercial and Fleet Charging Solutions

Fleet and commercial customers can count on charging solutions that offer convenient public and private access. Advanced versions will feature remote monitoring and billing capabilities servicing multiple charging points.

## Catalog Numbering System



# Indoor Charging Stations

## Features

**Interface:**

- Segmented charge and delay charge progress indicator
- Stop Button and Indicator
- Power status and system detected fault indicator
- Delay button and indicator



**Protection:**

- Integral Ground Fault Protection at 5 mA
- Ground fault function tested before each charge cycle begins
- Auto restart after ground fault or main power loss

**Enclosure:**

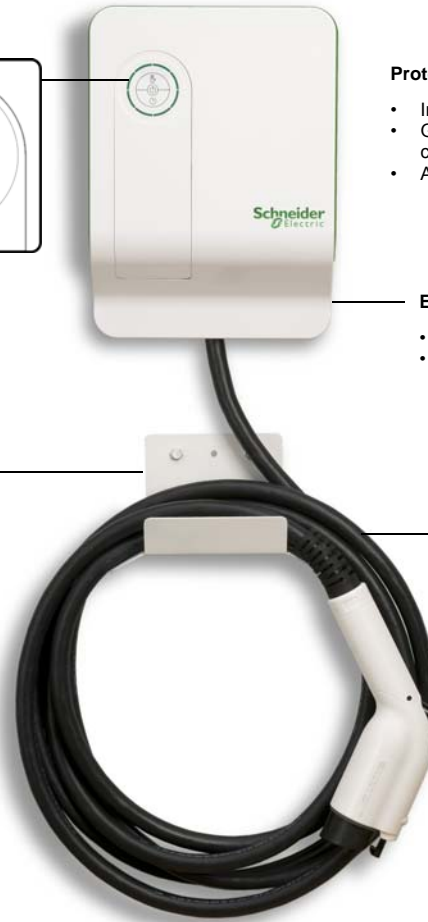
- Non-metallic
- Indoor wall-mount (stud, drywall, or masonry wall)

**Cable Holder:**

- Supports and helps organize the cable
- Independently mounted from enclosure

**Connector and Cord:**

- Complies with SAE J1772
- Cable length: 18 ft. (5.5 meter)



**Indoor Charging Station**  
Residential Applications

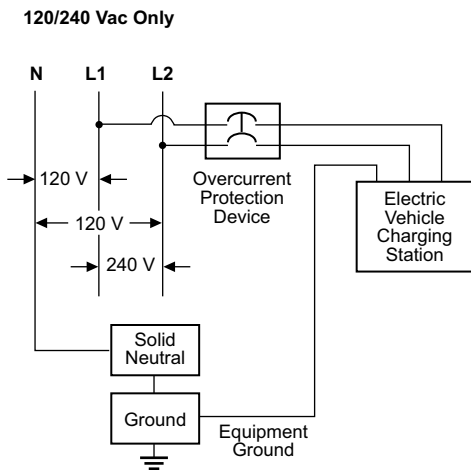
## Catalog Numbers

**Table 1: Indoor Charging Station—Wall-Mount**

Catalog Number	Output Voltage System	Output Current	Mounting Type	Charging Units	Application	Features
EV2430WS	240 Vac only	30 A	Wall	Single	Indoor	Delay Start

## Technical Specifications

**Figure 1: Indoor Charging Station Wiring Diagram**



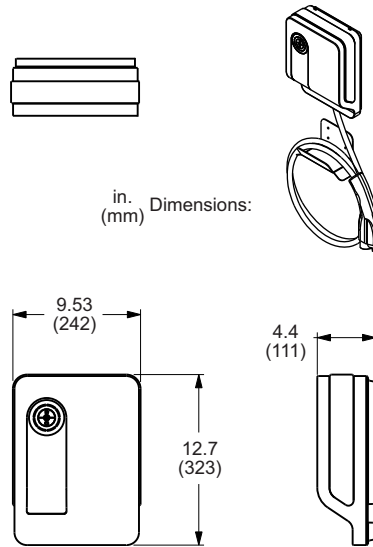
**Table 2: Indoor Charging Stations**

Power Specifications	
Input Power	240 Vac Only, single-phase, 60 Hz, 30 A maximum
Input Power Connection	Line 1, Line 2, and Ground
Feeder Circuit Breaker	2-pole, 40 A, non-GFCI type
Output Power	240 Vac, 30 A, 7.2 kW max.
Physical Specifications	
Enclosure Type	Type 1 (Indoor only)
Enclosure Dimensions (W x H x D)	9.53 x 12.73 x 4.36 in. (242 x 323 x 111 mm)
Enclosure Mounting	Wall-mount
Cable Type	SAE J1772
Cable Length	18 ft. (5.5 m)
Cable Management	Non-retractable, separate from the enclosure
Shipping Weight	17.0 lbs. (7.71 kg)
User Interface	
Power Available	Status indicator
Charging	Eight-segment progress indicator
Ground Fault	Red status indicator
Stop	Push button and red stop indicator
Delay Start	Push button to delay up to eight hours, in one-hour increments
Protection	
Ground Fault Protection	Integral, CCID 5 mA, auto reset
Ground Fault Protection System Test	Automatic at the beginning of each charge cycle
Environmental	
Operating Temperature	-22°F to 131°F (-30°C to 55°C)
Electro-static Discharge	15 kV open air, 8 kV contact
Surge	6 kV
Radiated Immunity	20 V/m
Conducted Immunity	20 V
Electrical Fast Transient/Burst (EFTB)	2 kV
Emissions	FCC Class B
Standards Compliance	
NEC Article 625	
SAE J1772	
UL 2594, UL 2231-1, UL 2231-2, UL 991, UL 1998, and UL 2251	

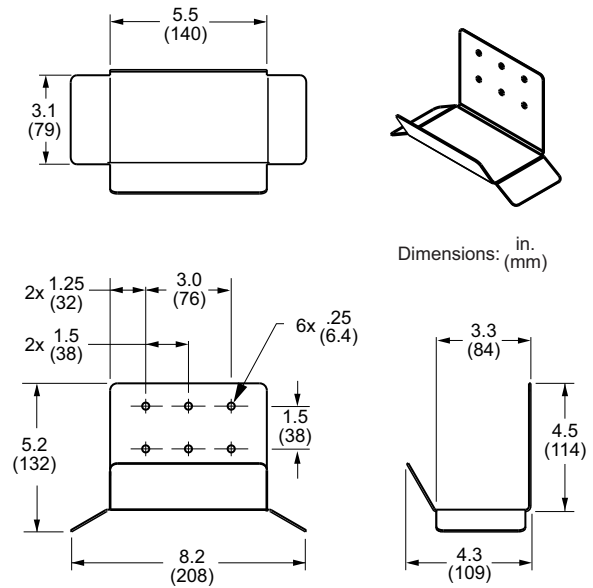
# Electric Vehicle Charging Solutions Indoor Charging Stations

## Dimensions

**Figure 2: Indoor Charging Station**



**Figure 3: Cable Bracket**



# Outdoor Charging Stations

## Wall-Mount

### Features

**Interface:**

- Power status
- Charge indicator
- System detected fault indicator

**Authentication:**

- Localized RFID solution (optional)  
(no communications cable needed)



Key fob Authentication

**Cable Holder:**

- Supports and helps organize the cable
- Independently mounted from enclosure

**Protection:**

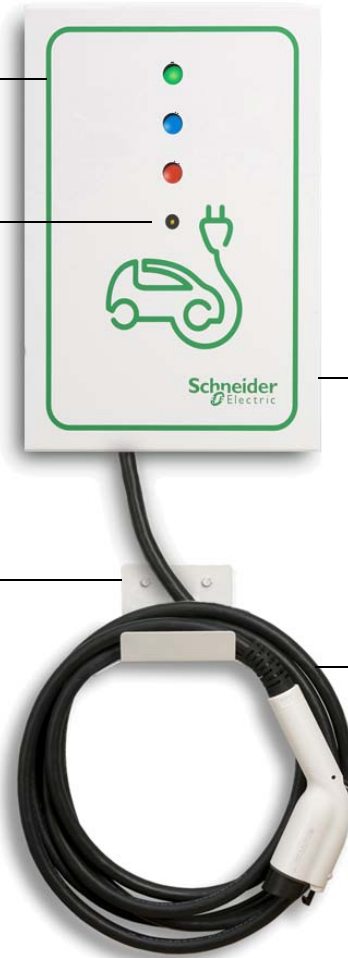
- Integral Ground Fault Protection at 5 mA
- Ground fault function tested before each charge cycle begins
- Auto restart after ground fault or main power loss

**Enclosure:**

- Metallic enclosure
- Indoor/outdoor wall-mount

**Connector and Cord:**

- Complies with SAE J1772
- Cable length: 18 ft. (5.5 meter)



Outdoor Charging Station (Wall-Mount)

Residential and Commercial Applications

### Catalog Numbers

Table 3: Outdoor Charging Stations—Wall-Mount

Catalog Number	Output Voltage System	Output Current	Mounting Type	Charging Units	Application	Features
EV230WSR <sup>1</sup>	208–240 Vac	30 A	Wall	Single	Indoor/Outdoor	—
EV230WSRR <sup>1</sup>	208–240 Vac	30 A	Wall	Single	Indoor/Outdoor	RFID (non-networked)

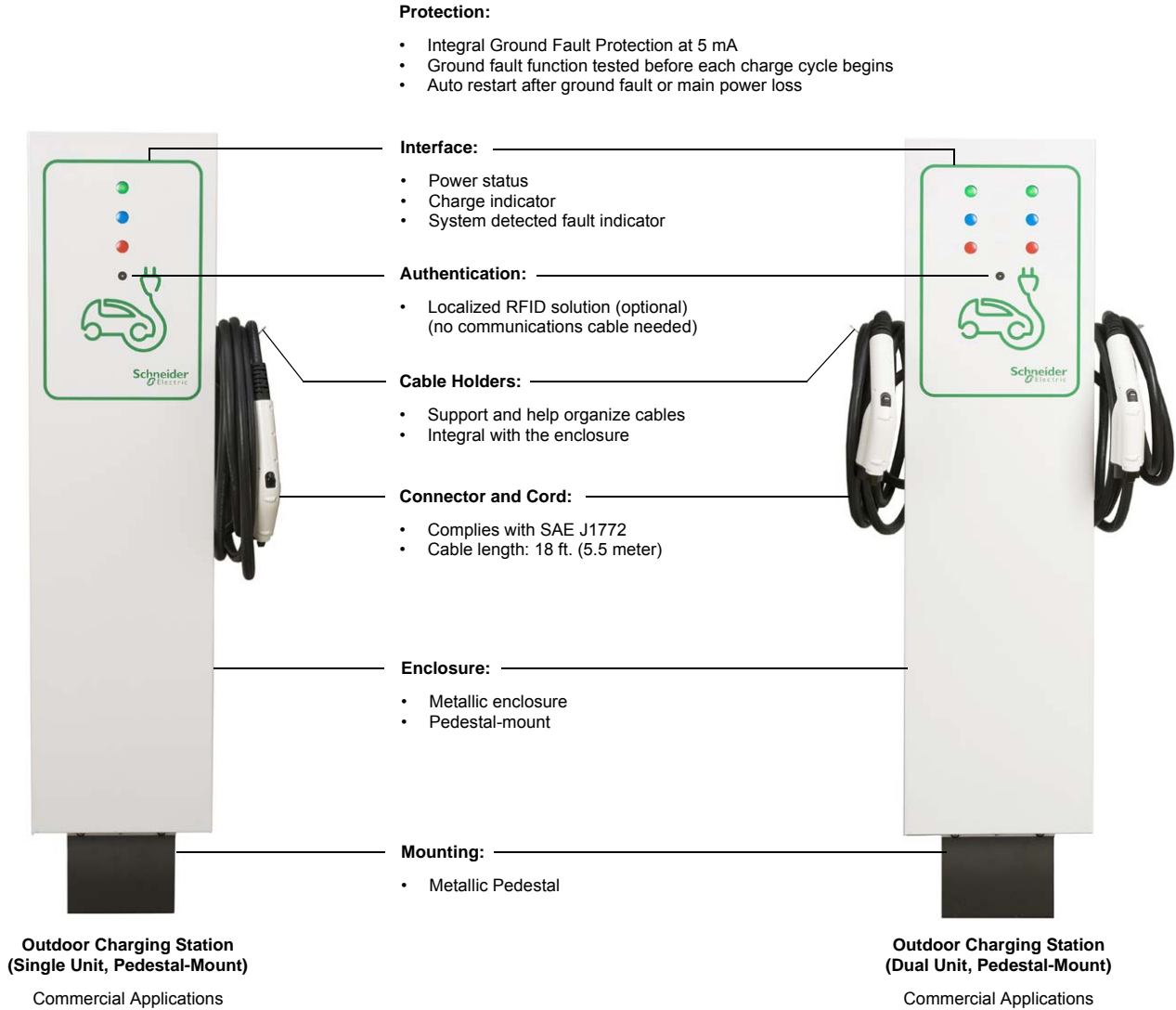
<sup>1</sup> Availability to be announced Q1, 2011.

# Electric Vehicle Charging Solutions

## Outdoor Charging Stations

### Pedestal-Mount

#### Features



#### Catalog Numbers

**Table 4: Outdoor Charging Stations—Pedestal-Mount**

Catalog Number	Output Voltage System	Output Current	Mounting Type	Charging Units	Application	Authentication
EV230PSR <sup>1</sup>	208–240 Vac	30 A	Pedestal	Single	Outdoor	—
EV230PDR <sup>1</sup>	208–240 Vac	30 A	Pedestal	Dual	Outdoor	—
EV230PSRR <sup>1</sup>	208–240 Vac	30 A	Pedestal	Single	Outdoor	RFID (non-networked)
EV230PDRR <sup>1</sup>	208–240 Vac	30 A	Pedestal	Dual	Outdoor	RFID (non-networked)

<sup>1</sup> Availability to be announced Q1, 2011.

## Technical Specifications



Outdoor Wall-Mount  
Charging Station



Single Unit

Dual Unit

Outdoor Pedestal-Mount  
Charging Stations

**Table 5: Outdoor Charging Stations (Wall and Pedestal Mount)**

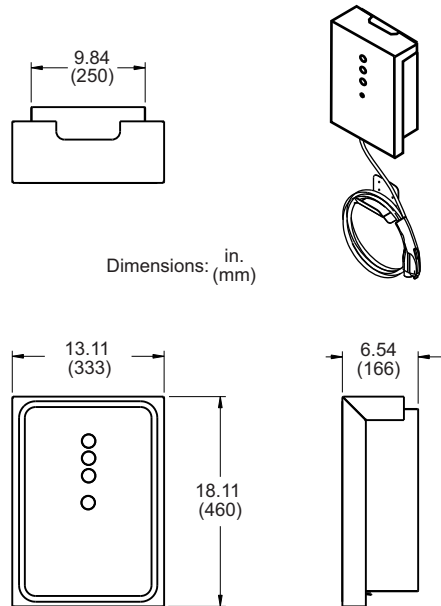
Power Specifications (Each charging unit)	
Input Power	208–240 Vac, 30 A, single phase, 60 Hz
Input Power Connection	Line 1, Line 2, and Ground
Feeder Circuit Breaker	2-pole, 40 A, non-GFCI type
Output Power	208–240 Vac, 30 A
Physical Specifications	
Enclosure Type	Type 3R
Enclosure Dimensions	See Dimensions on Page 10
Enclosure Mounting	Wall or Pedestal
Cable Type	SAE J1772
Cable Length	18 ft. (5.5 m)
Cable Management	Non-retractable, integral with the enclosure
Unit Options	Single unit (Wall-mount) Single or Dual units (Pedestal-mount)
User Interface	
Power Available	Status indicator
Charging	Blinking blue indicator
System Detected Fault	Red status indicator
Authentication	
Type	Non-networked RFID / Key fob
Programming	Radio frequency remote control
Protection	
Ground Fault Protection	Integral, CCID 5 mA, auto reset
Ground Fault Protection System Test	Automatic at the beginning of each charge cycle
Environmental	
Operating Temperature	-22°F to 131°F (-30°C to 55°C)
Electro-static Discharge	15 kV open air, 8 kV contact
Surge	6 kV
Radiated Immunity	20 V/m
Conducted Immunity	20 V
Electrical Fast Transient/Burst (EFTB)	2 kV
Emissions	FCC Class B
Standards Compliance	
NEC Article 625	
SAE J1772	
UL 2594, UL 2231-1 & UL 2231-2, UL 991, UL 1998 and UL 2251	

# Electric Vehicle Charging Solutions

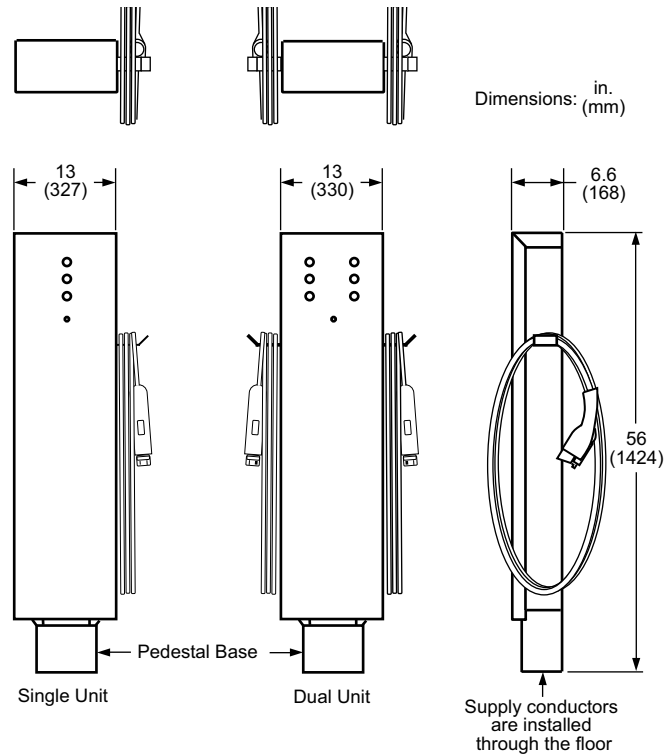
## Outdoor Charging Stations

### Dimensions

**Figure 4: Outdoor Wall-Mount Charging Station**

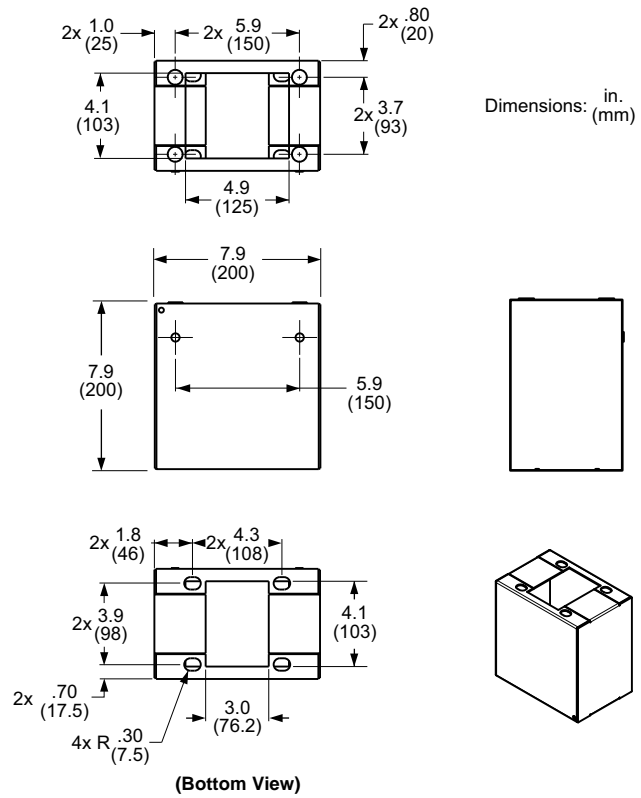


**Figure 5: Outdoor Pedestal-Mount Charging Station**



# Electric Vehicle Charging Solutions Outdoor Charging Stations

Figure 6: Pedestal Base



**Schneider Electric USA, Inc.**  
1601 Mercer Road  
Lexington, KY 40511 USA  
1-888-778-2733  
[www.schneider-electric.us](http://www.schneider-electric.us)

Schneider Electric™ is a trademark or registered trademark of Schneider Electric. Other trademarks used herein are the property of their respective owners.

2800CT1001 © 2011 Schneider Electric All Rights Reserved

**02/2011**