

Custom Application Accessories

IP67/IP69K Enclosure



Protective Guard



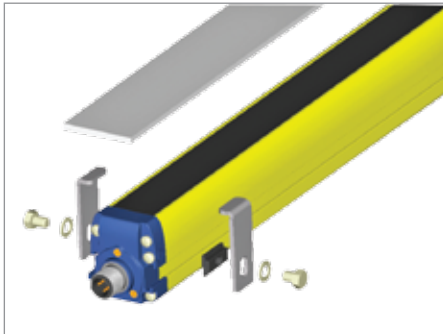
More Information

www.IDEC.com/Safety

Technical support:
support@IDEC.com

800-262-IDEC

Lens Shield



Safety Relay Module (CS-ME) & EDM Control Box (SE-SR2)



Safety Controllers - FS1A SafetyOne

Consolidate safety relays to just one safety controller using the IDEC SafetyOne FS1A series safety controller.

- No programming required
- Easy to setup: Select Logic, Wire Devices, Power Up
- Replaces up to 6 safety relay modules
- Select logic from 8 pre-programmed circuits
- Connect one module with various types of safety inputs
- Monitor status of safety I/Os and error codes

www.IDEC.com/safety