

Enabling Switches

Overview

X Series E-Stops

Door Interlock Switches

Enabling Switches

Barriers

As-Interface Safety at Work

Selection Guide..... 403

HE1B Series Basic Enabling Switch..... 404

HE2B Series Redundant (Double) Basic Enabling Switch 407

HE3B Series Pushbutton Enabling Switch .. 410

HE5B Series Pushbutton Enabling Switch .. 413

HE1G Series Grip Style Enabling Switch 416

General Information 419



For more information on this product family, visit our website.

Additional resources include:

- New and updated product information
- Downloadable software demos & upgrades
- Part configuration tool & cross reference
- Online stock check & ordering
- IDEC field sales & distributor search
- Online literature request
- Downloadable manuals & CAD drawings
- Manufacturer’s suggested retail price list
- Product training schedule & locations
- Advertising & trade show schedules
- Press releases & FAQs

www.idec.com/safety

This document provided by Barr-Thorp Electric Co., Inc. 800-473-9123 www.barr-thorp.com

Enabling “Dead Man” Switches

What is an enabling switch?

An enabling switch is a 3-position (OFF-ON-OFF) switch to allow a machine operation only when the switch is lightly pressed and held in the middle position (position 2). Because it disables machine operation when released (position 1) or further depressed (position 3) by a panicked operator, the safety of operators is ensured.

Because operators use pendants in hazardous environments performing teaching, system changeover, and maintenance of robots, they must have protection against unpredictable motion of robots, and therefore teach pendants are equipped with 3-position enabling switches.



Overview

X Series E-Stops

Door Interlock Switches

Enabling Switches

Barriers

AS-Interface Safety at Work

Selection Guide

Enabling Switches

| Series Model | HE1B | HE2B | HE3B | HE5B | HE1G |
|------------------|--------------|--------------------------|------------------|----------------------------|---------------------|
| Appearance | | | | | |
| Page | 404 | 407 | 410 | 413 | 416 |
| Description | Basic Switch | Redundant Basic Switch | 16mm Panel Mount | 16mm Round Enabling Switch | Grip Switch |
| Maximum Contacts | 1NO | DPDT/DPDT, 2NC/DPDT, 4NC | DPDT | DPDT | DPDT, 1NC/DPDT, 2NC |

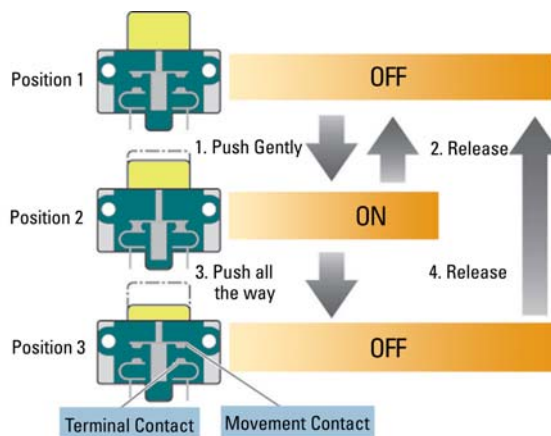
Application Example



HE1B Enabling Switch Movement

3 Position Enabling Switch

- Position 1 - Normal position - Contact Open
- Position 2 - Push half way - Contact Closed
- Position 3 - Push all the way - Contact Open



When releasing switch from position 3 back to position 1, the switch will not enter the ON state.

HE1B Series Basic Enabling Switch

HE1B Key features include:


- 3 position functionality (OFF – ON –OFF) as required for manual robotic control
- Ideally suited for use as enabling (aka “deadman”) switch on teach pendants
- Provides a high level of safety based on human behavioral studies that determine personnel may squeeze OR let go when presented with a panic situation
- Positive action contacts “On” (pos. 2) to “Off” (pos. 3) ensure no contact welding (per EN60947-5-1 / IEC60947-5-1)
- Contacts will not close when released from “Off” (pos. 3) to “Off” (pos. 1) (per IEC60204-1; 9.2.5.8)
- Small, lightweight and highly reliable



Specifications


| | | |
|---|--|------------------------------------|
| Conforming to Standards | IEC60947-5-1, EN60947-5-1, JIS C8201-5-1, UL508, CSA C22.2 No 14 | |
| Operating Temperature | -25 to +60°C (no freezing) | |
| Operating Humidity | 45 to 85% RH maximum (no condensation) | |
| Storage Temperature | -40 to +80°C (no freezing) | |
| Pollution Degree | 2 | |
| Initial Contact Resistance | 50mΩ maximum | |
| Insulation Resistance | 100MΩ minimum | |
| Impulse Withstand Voltage | 2.5kV | |
| Operating Frequency | 1200 operations/hour | |
| Mechanical Life | Position 1→2: 1,000,000 operations minimum Position 1→2→3→1: 100,000 operations minimum | |
| Electrical Life | 100,000 operations minimum at rated load | |
| Shock Resistance | Operating Extremes | 100m/s ² (10G) |
| | Damage Limits | 1000m/s ² (100G) |
| Vibration Resistance | Operating Extremes | 5 to 55Hz, amplitude 0.5mm minimum |
| | Damage Limits | 16.7Hz, amplitude 1.5mm minimum |
| Terminal Shape | Solder Terminal | |
| Recommended Wire | 0.5mm ² maximum / 1 line (20AWG) | |
| Solder Heat Resistance | 260°C / 3 seconds maximum | |
| Terminal Pulling Strength | 20N minimum | |
| Recommended Screw Torque | HE1B-M1: M3 screw / 0.5 to 0.8Nm | |
| Degree of Protection | IP40 (IEC 60529) excluding terminal part | |
| Conditional Short-Circuit Current | 50A (250V) | |
| Recommended Short Circuit Protection | 250V, 10A fast blow fuse (IEC 60127-1) | |
| Weight | Approx. 6g | |
| Circuit Opening Force | 30N minimum (position 2→3) | |
| Control Resistance (Operating) | 250N minimum | |

Part Numbers

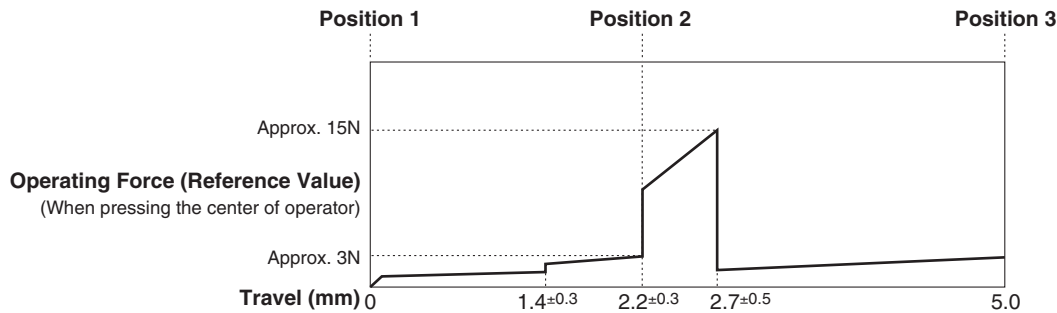
| Item | Installation | Part Number |
|---|--------------|-------------|
|  | Side | HE1B-M1 |
| | Front | HE1B-M1N |



Current Ratings





| | | | | | |
|--------------------------------------|-------------------|-------------------------------------|------|-------|-------|
| Rated Insulation Voltage (Ui) | | AC / DC250V | | | |
| Thermal Current (Ith) | | 5A | | | |
| Rated Operating Voltage (Ue) | | 30V | 125V | 250V | |
| Rated Operating Current (Ie) | AC 50/60Hz | Resistive Load (AC-12) | – | 3A | 1.5A |
| | | Inductive Load (AC-15) | – | 1.5A | 0.75A |
| | DC | Resistive Load (DC-12) | 2A | 0.4A | 0.2A |
| | | Inductive Load (DC-13) | 1A | 0.22A | 0.1A |
| Contact Structure | | SPST-NO three position (OFF-ON-OFF) | | | |

 Minimum applicable load: AC/DC3V • 5mA (For reference only).

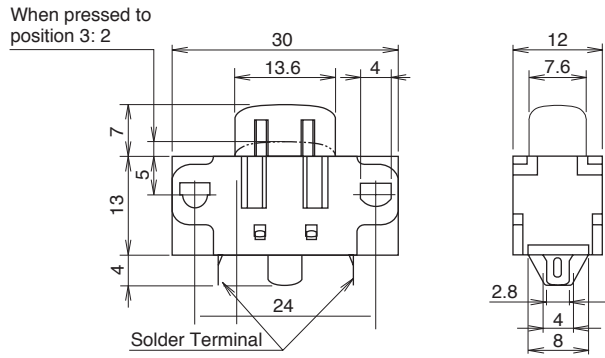
Operating Characteristics



 : ON (Closed)
 : OFF (Open)

Pressing (→)  
 Releasing (←)  

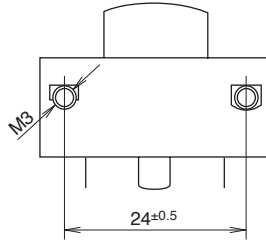
Dimensions (mm)



Installation Dimensions (mm)

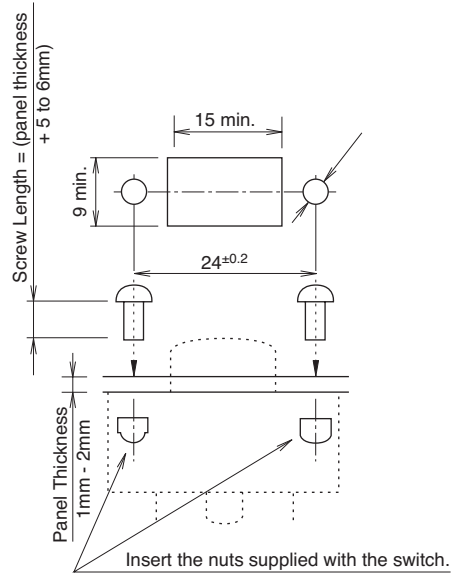
HE1B-M1 (Side Mounting)

1. M3 Screw (not provided)
2. Thread built in



HE1B-M1N (Front Mounting)

1. M3 Screw (not provided)
2. Locking nut (2 pcs) included



When using a panel thicker than 2mm, the button will be lower than the surface of the panel

HE2B Series Redundant (Double) Basic Enabling Switch

HE2B Key features include:

- 3 position functionality (OFF – ON –OFF) as required for manual robotic control
- Ideally suited for use as enabling (aka “deadman”) switch on teach pendants
- Provides a high level of safety based on human behavioral studies that determine personnel may squeeze OR let go when presented with a panic situation
- Snap acting contacts from Off→On (1→2)
- Positive action contacts from On→Off (2→3) ensure no contact welding (per EN60947-5-1 / IEC60947-5-1)
- Contacts will not re-close when released from Off→On (3→1) (per IEC60204-1; 9.2.5.8)
- Multiple contacts for enhanced reliability
- Monitoring contacts in addition to main load contacts
- Available with or without rubber cover (cover provides IP65 watertight seal)



Specifications

| | | |
|---|---|------------------------------------|
| Conforming to Standards | IEC60947-5-1, EN60947-5-1, JIS C8201-5-1, UL508, CSA C22.2 No 14 | |
| Application Standards | ISO12100/EN292, IEC60204-1/EN60204-1, ISO11161/prEN11161, ISO10218/EN775, ANSI/RIA R15.06 | |
| Operating Temperature | -25 to +60°C (no freezing) | |
| Operating Humidity | 45 to 85% RH (no condensation) | |
| Storage Temperature | -40 to +80°C (no freezing) | |
| Pollution Degree | 2 (inside of panel/contact side) 3 (outside of panel/operating side) | |
| Contact Resistance | 50mΩ maximum | |
| Insulation Resistance | Between live and dead metal parts: 100MΩ maximum Between positive and negative live parts: 100MΩ minimum | |
| Impulse Withstand Voltage | 2.5kV | |
| Operating Frequency | 1200 operations/hour | |
| Mechanical Life | Position 1→2: 1,000,000 operations minimum Position 1→2→3→1: 100,000 operations minimum | |
| Electrical Life | 100,000 (at full rated load) | |
| Shock Resistance | Operating Extremes | 100m/s ² (10 G) |
| | Damage Limits | 1000m/s ² (100 G) |
| Vibration Resistance | Operating Extremes | 5 to 55Hz, amplitude 0.5mm minimum |
| | Damage Limits | 16.7Hz, amplitude 1.5mm minimum |
| Terminal | 0.110" quick connect / solder terminal | |
| Recommend Wire Size | 0.5mm ² maximum / 1 line (20AWG) | |
| Solder Heat Resistance | 260°C / 3 seconds maximum | |
| Terminal Pulling Strength | 20N minimum | |
| Recommended Screw Torque | 0.5 to 0.8Nm | |
| Degree of Protection | with rubber cover: IP65, without rubber cover: IP40 (IEC 60529), | |
| Conditional Short-Circuit Current | 50A (250V) | |
| Recommended Short Circuit Protection | 250V/10A fast blow fuse (IEC 60127-1) | |
| Weight | Approx. 26g (without cover), 30g (with cover) | |
| Circuit Opening Force | 60N minimum (button return monitor & button push monitor) | |
| Actuating Force (Operating) | 500N minimum | |

Ordering Information

HE2B - M 2 0 0 P Y

3 Position Switch
2: 2 contacts (DPDT)



Rubber Cover Color
None: without cover
Y: Yellow
B: Black

Rubber Cover
None: without cover
P: with cover

Return Monitor Switch
0: None
1: 1 contact
2: 2 contacts


Push Monitor Switch
0: None
1: 1 contact
2: 2 contacts

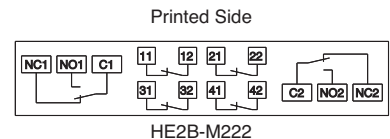
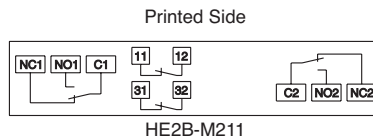
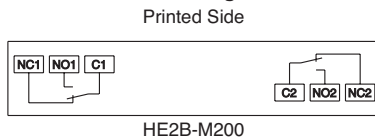
Part Numbers

| Model | Number of Contacts | | | Part Number | |
|--|--------------------|---------------------|-----------------------|-------------|-------------|
| | 3 Position Switch | Push Monitor Switch | Return Monitor Switch | | |
|  Without Rubber Cover | 2 | 0 | 0 | HE2B-M200 | |
| | 2 | 1 | 1 | HE2B-M211 | |
| | 2 | 2 | 2 | HE2B-M222 | |
|  With Rubber Cover | Yellow | 2 | 0 | HE2B-M200PY | |
| | | 2 | 1 | 1 | HE2B-M211PY |
| | | 2 | 2 | 2 | HE2B-M222PY |
| | Black | 2 | 0 | 0 | HE2B-M200PB |
| | | 2 | 1 | 1 | HE2B-M211PB |
| | | 2 | 2 | 2 | HE2B-M222PB |

Ratings
Contact Ratings

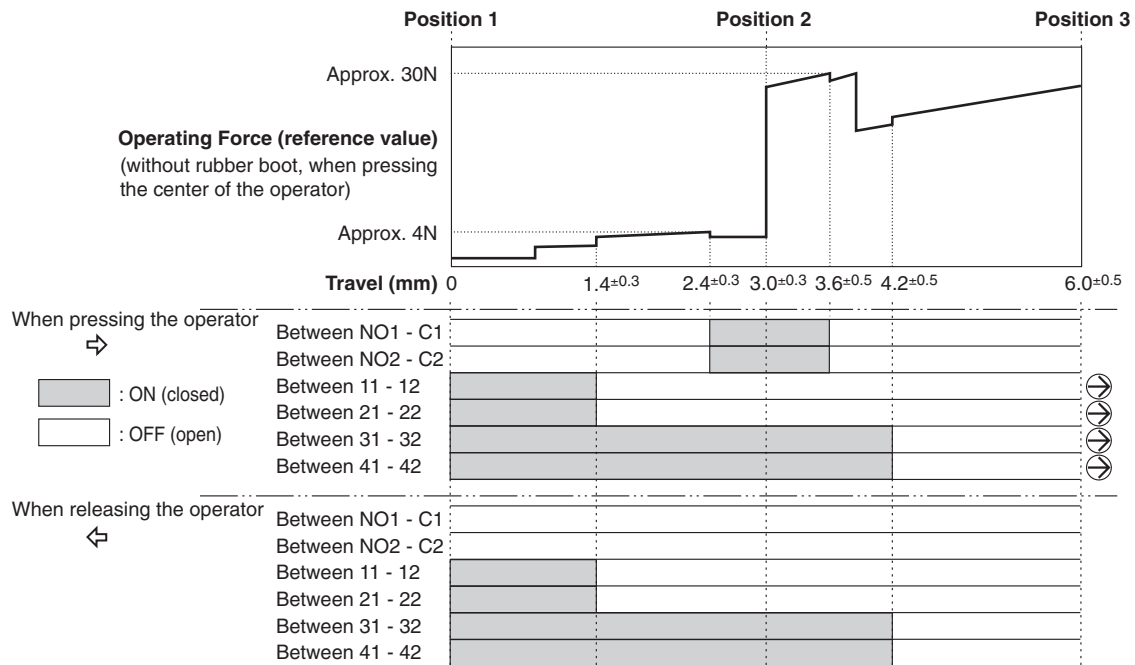
| | | | | | | |
|--------------------------------------|---|-----------|-------------------------------|------|-------|------|
| Rated Insulation Voltage (Ui) | | 250V | | | | |
| Thermal Current (Ith) | | 3A | | | | |
| Rated Operating Voltage (Ue) | | 30V | 125V | 250V | | |
| Rated Operating Current (Ie) | 3 Position Switch | AC | Resistive Load (AC-12) | – | 1A | 0.5A |
| | | | Inductive Load (AC-15) | – | 0.7A | 0.5A |
| | | DC | Resistive Load (DC-12) | 1A | 0.2A | – |
| | | | Inductive Load (DC-13) | 0.7A | 0.1A | – |
| | Push/return Monitor Switch (NC Contacts) | AC | Resistive Load (AC-12) | – | 2A | 1A |
| | | | Inductive Load (AC-15) | – | 1A | 0.5A |
| | | DC | Resistive Load (DC-12) | 2A | 0.4A | 0.2A |
| | | | Inductive Load (DC-13) | 1A | 0.22A | 0.1A |
| Contact Structure | 3 Position Switch | | 2 contacts (DPDT) | | | |
| | Button Return Monitor Switch | | 0 to 2 contacts | | | |
| | Button Push Monitor Switch | | 0 to 2 contacts | | | |

 Minimum applicable load (reference) = AC/DC3V • 5mA (for reference only)

Circuit Diagrams
Terminal Circuit Diagrams (bottom view)


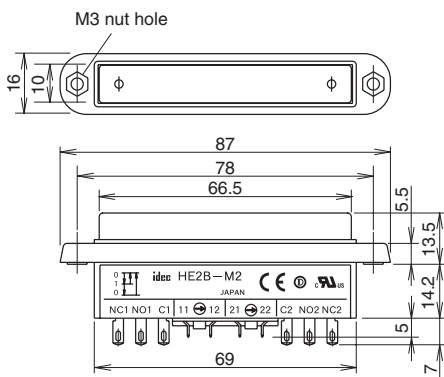
Operating Characteristics

Operating Characteristics (without rubber cover/center of button being pushed)

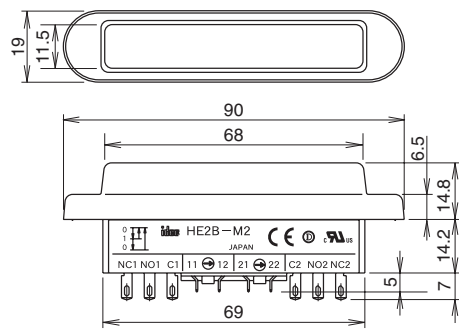


Using rubber cover will change the operating load because the operating temperature would increase

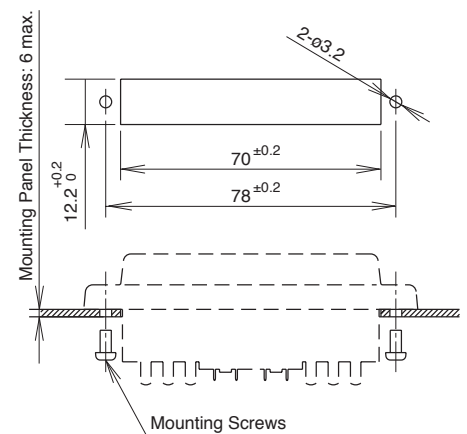
Dimensions (mm) Without Rubber Cover



With Rubber Cover



Mounting Hole Layout



Accessories

Replacement Rubber Cover

| Appearance | Color | Part Number | Material |
|------------|--------|-------------|----------------|
| | Yellow | HE9Z-D2Y | Silicon Rubber |
| | Black | HE9Z-D2B | |

HE3B Series Pushbutton Enabling Switch

HE3B Key features include:



- 3 position functionality (OFF – ON – OFF) as required for manual robotic control
- Provides a high level of safety based on human behavioral studies that determine personnel may squeeze OR let go when presented with a panic situation
- Contacts will not re-close when released from Off→On (3→1) (per IEC60204-1; 9.2.5.8)
- Multiple contacts for enhanced reliability
- Snap acting contacts from position 1 to 2
- Available with or without rubber cover



Specifications

| | | |
|---|---------------------------|---|
| Conforming to Standards | | IEC60947-5-1, EN60947-5-1, JIS C8201-5-1, UL508, CSA C22.2 No 14 |
| Application Standards | | ISO12100/EN292, IEC60204-1/EN60204-1, ISO11161/prEN11161, ISO10218/EN775, ANSI/RIA R15.06 |
| Operating Temperature | | -25 to +60°C (no freezing) |
| Operating Humidity | | 45 to 85% RH maximum (no condensation) |
| Storage Temperature | | -40 to +80°C (no freezing) |
| Pollution Degree | | 3 |
| Contact Resistance | | 50mΩ maximum |
| Insulation Resistance | | Between live & dead metal parts: 100MΩ maximum |
| | | Between positive & negative live parts: 100MΩ minimum |
| Impulse Withstand Voltage | | 1.5kV |
| Operating Frequency | | 1200 operations/hour |
| Mechanical Life | | Position 1→2: 1,000,000 operations minimum |
| | | Position 1→2→3→1: 100,000 operations minimum |
| Electrical Life | | 100,000 operations minimum at rated load |
| Shock Resistance | Operating Extremes | 100m/s ² (10 G) |
| | Damage Limits | 1000m/s ² (100 G) |
| Vibration Resistance | Operating Extremes | 5 to 55Hz, amplitude 0.5mm minimum |
| | Damage Limits | 16.7Hz, amplitude 1.5mm minimum |
| Terminal | | 0.110" quick connect / solder terminal |
| Recommended Wire Size | | 0.5mm ² maximum / 1 line (20AWG) |
| Solder Heat Resistance | | 260°C / 3 seconds maximum |
| Terminal Pulling Strength | | 20N minimum |
| Recommended Screw Torque | | 0.68 to 0.88Nm |
| Degree of Protection | | with rubber cover: IP65, without rubber cover: IP40 (IEC 60529) |
| Conditional Short-Circuit Current | | 50A (125V) |
| Recommended Short Circuit Protection | | 125V/10A fast blow fuse (IEC 60127-1) |
| Weight | | without rubber cover - Approx. 14g with rubber cover - Approx. 18g |
| Circuit Opening Force | | 500N minimum |

Part Numbers

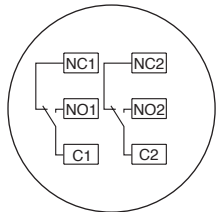
| Model | Contact Arrangement | Part Numbers | |
|--|---------------------|--------------|-----------|
|  Without Rubber Cover | DPDT | HE3B-M2 | |
|  With Rubber Cover | | Yellow | HE3B-M2PY |
| | | Black | HE3B-M2PB |

Contact Ratings

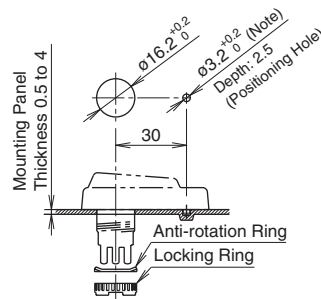
| | | | |
|---------------------------------------|----|------------------------|------|
| Rated Insulation Voltage (Ui) | | 125V | |
| Thermal Current (Ith) | | 3A | |
| Rated Operating Voltage (Ue) | | 30V | 125V |
| Rated Operating Current (Ie) | AC | Resistive Load (AC-12) | 1A |
| | | Inductive Load (AC-15) | 0.7A |
| | DC | Resistive Load (DC-12) | 0.2A |
| | | Inductive Load (DC-13) | 0.1A |
| Contact Structure (3 Position Switch) | | 2 contacts (DPDT) | |

Circuit Diagrams

Terminal Circuit Diagrams (bottom view)



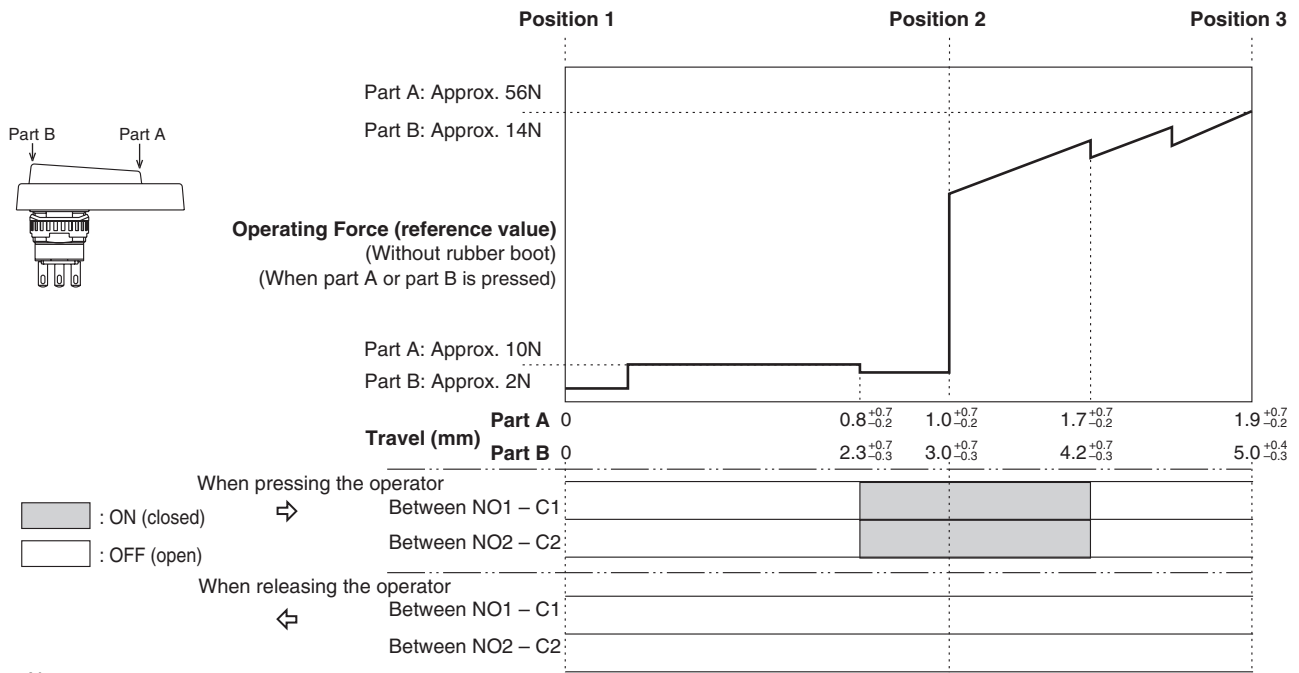
- 1. 3 position switch: 2 contacts, terminal no. = between NO1-C1, between NO2-C2
- 2. Use between NO-C for OFF→ On→ OFF 3 position switch (NC is not used).



- 1. Recommended Lock Nut Torque: 0.68 to 0.88Nm.
- 2. Use a lock nut tool to screw on the lock nut (see page 412).
- 3. To retain the switches waterproof performance, do not penetrate the rubber cover.
- 4. Remove the rubber cover projection if you do not want a positioning hole. (Do not penetrate the rubber cover).

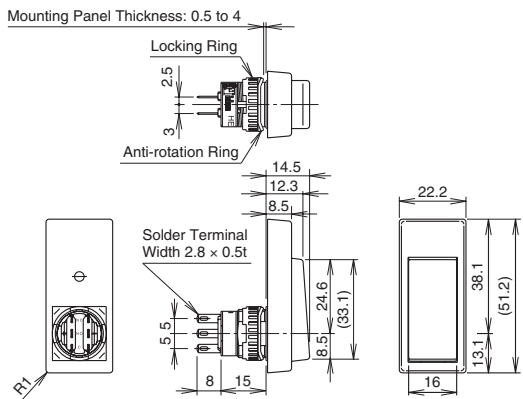
Operating Characteristics

Operating Characteristics (without rubber cover/pushing button part A and B)

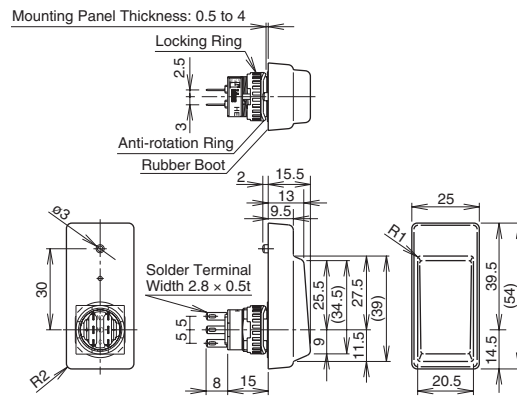


Notes:
• When rubber boot is used, operating force depends on the operating temperature.

Dimensions (mm)
Without Rubber Cover



With Rubber Cover



All dimensions in mm.

Accessories
Replacement Rubber Cover

| Appearance | Color | Part Number | Material |
|------------|--------|-------------|----------------|
| | Yellow | HE9Z-D3Y | Silicon Rubber |
| | Black | HE9Z-D3B | |

Lock Nut Tool

| Appearance | Part Number | Material |
|------------|-------------|----------|
| | MT-001 | Metal |

HE5B Series Pushbutton Enabling Switch

HE5B Key features include:

- Ergonomically-designed OFF-ON-OFF 3-position operation
- Easy recognition of position 1 → 2 transition, made possible by snap action switch
- Sufficient load difference is provided for shifting from position 2 → 3
- Light force needed to maintain position 2, so that operators can easily use the enabling switch
- The switch does not turn ON when being released from position 3 (OFF when pressed) to position 1 (OFF when released) (IEC60204-1, 9.2.5.8)
- Two contacts are provided for safety
- IP65 (using the waterproof rubber cover)
- Mounts in a 16mm (5/8") round hole



Specifications

| | |
|--|---|
| Conforming to Standards | IEC60947-5-1, EN60947-5-1 (DEMKO approval), JIS C8201-5-1, UL508 (UL recognized), CSA C22.2, No. 14 (c-UL recognized) |
| Application Standards | ISO 12100/EN292, IEC60204-1/EN60204-1 ISO11161/prEN11161, ISO10218/EN775 ANSI/RIA R15.06, ANSI B11.19 |
| Operating Temperature | Silicone rubber boot: -25 to 60°C (no freezing) NBR/PVC Polyblend rubber boot: -10 to 60°C (no freezing) |
| Relative Humidity | 45 to 85% RH (no condensation) |
| Storage Temperature | -40 to +80°C (no freezing) |
| Operating Environment | Degree of pollution: 2 (panel inside/terminal side) Degree of pollution: 3 (panel outside/operator side) |
| Contact Resistance | 50 mΩ maximum (initial value) |
| Insulation Resistance (DC megger) | Between live and dead metal parts: 100 MΩ minimum Between terminals of different pole: 100 MΩ minimum |
| Impulse Withstand Voltage | 1.5 kV |
| Operating Frequency | 1200 operations per hour |
| Mechanical Life | Position 1 → 2 → 1: 1,000,000 operations minimum Position 1 → 2 → 3 → 1: 100,000 operations minimum |
| Electrical Life | 100,000 operations minimum |
| Shock Resistance | Operating extremes: 100 m/s ² (10 G) Damage limits: 500 m/s ² (50 G) |
| Vibration Resistance | Operating extremes: 5 to 55 Hz, amplitude 0.5 mm minimum Damage limits: 5 to 55 Hz, amplitude 0.5 mm minimum |
| Terminal Style | Solder Terminal |
| Recommended Wire | 0.5 mm ² maximum per line (20AWG) |
| Solder Heat Resistance | 260°C, 3 seconds maximum |
| Terminal Pulling Strength | 20 N minimum |
| Recommended Tightening Torque of Locking Ring | 0.29 to 0.49 N·m |
| Degree of Protection | IP65 |
| Conditional Short-circuit Current | 50A (250V) (Use 250V/10A fast acting type fuse for short circuit protection.) |
| Operator Strength | 250N minimum (when pressing the entire surface of the operator) |
| Weight (approx.) | 9 g |

Part Numbers

| Model | | Contact Arrangement | Color | Part Number |
|-------------------|-----------------|---------------------|--------|-------------|
| With Rubber Cover | Silicone Rubber | DPDT | Yellow | HE5B-M2PY |
| | | | Black | HE5B-M2PB |
| | NBR/PVC | | Gray | HE5B-M2PN1 |

NBR/PVC cover comes in gray only.

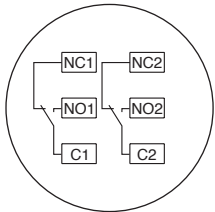
Current Ratings

| | | | |
|--|-----------|-------------------------------|------|
| Rated Insulation Voltage (Ui) | | 125V | |
| Thermal Current (Ith) | | 3A | |
| Rated Operating Voltage (Ue) | | 30V | 125V |
| Rated Operating Current (Ie) | AC | Resistive Load (AC-12) | 0.5A |
| | | Inductive Load (AC-15) | 0.3A |
| | DC | Resistive Load (DC-12) | 1A |
| | | Inductive Load (DC-13) | 0.7A |
| Contact Configuration (3 Position Switch) | | 2 contacts (DPDT) | |

Minimum applicable load (reference): 3V AC/DC, 5mA.

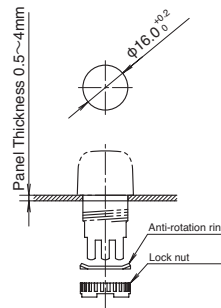
Circuit Diagrams

Terminal Arrangement (Bottom View)



-
1. 3 position switch: 2 contacts, terminal no. = between NO1-C1, between NO2-C2
 2. Use between NO-C for OFF → On → OFF 3 position switch (NC is not used).

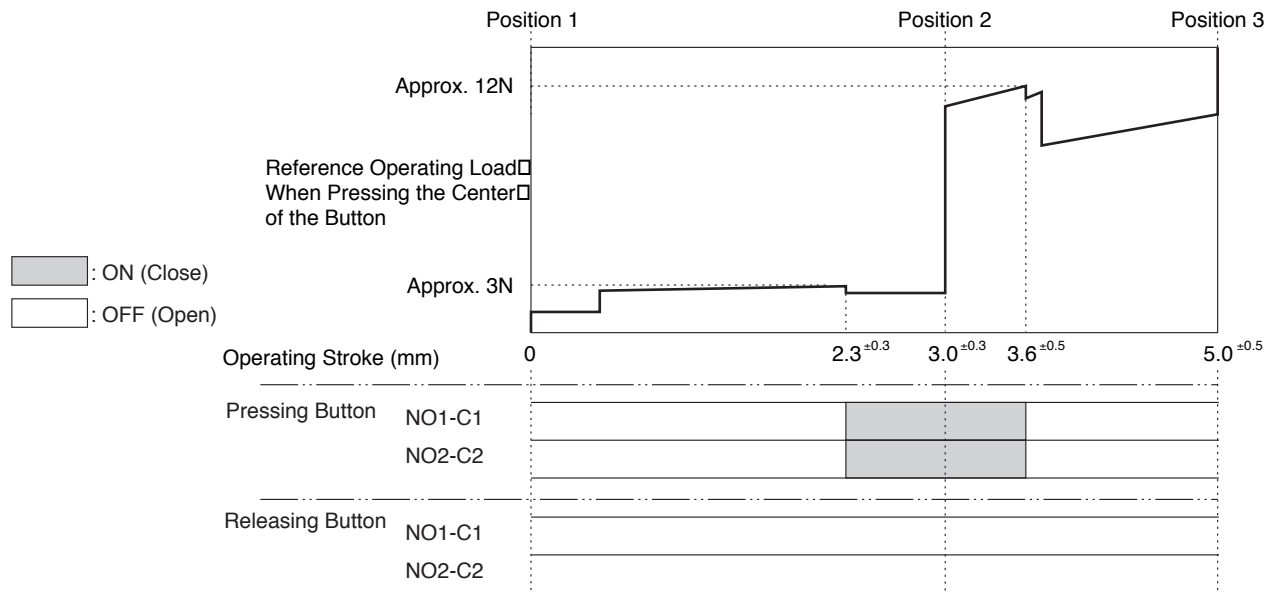
Mounting Hole Layout



-
1. Recommended tightening torque for Locking Ring: 0.29 to 0.49 N·mm.
 2. Use a lock nut tool to screw on the lock nut (see page 415).

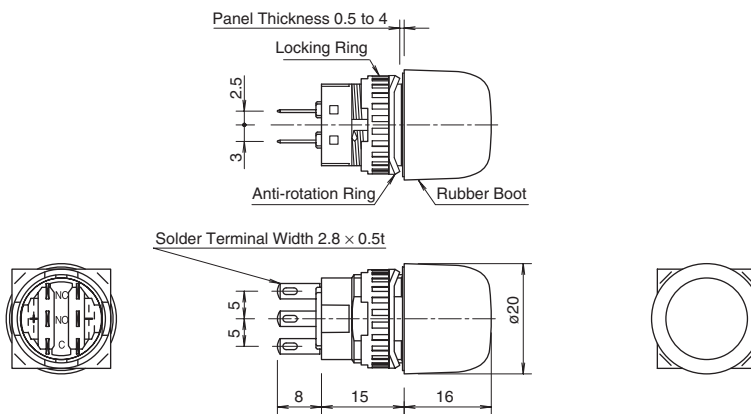
Operating Characteristics

Operating Characteristics (without rubber cover/center of button being pushed)



Operating load depends on ambient temperature.

Dimensions (mm) With Rubber Cover



Accessories Replacement Rubber Cover

| Appearance | Part Number | Material | |
|------------|-------------------|----------|-----------|
| | Silicon Rubber | Yellow | HE9Z-D5Y |
| | | Black | HE9Z-D5B |
| | NBR/PVC Polyblend | Gray | HE9Z-D5N1 |

NBR/PVC cover comes in gray only.

Lock Nut Tool

| Appearance | Part Number | Material |
|------------|-------------|----------|
| | MT-001 | Metal |

HE1G Series Grip Style Enabling Switch

HE5B Key features include:

- 3 position functionality (Off – On – Off) as required for manual robotic control
- Ideally suited for use as an enabling (aka “deadman”) switch for robotic cells
- Provides a high level of safety based on human behavioral studies that determine personnel may squeeze OR let go when presented with a panic situation
- Contacts will not re-close when released from Off → On (3 → 1) (per IEC60204-1; 9.2.5.8)
- Optional E-Stop switch built in
- Connection for conduit and cable strain relief built in
- IP66 waterproof sealing
- Meets ANSI RIA 15.06 robotics standards
- Optional momentary pushbutton or E-Stop built in


Specifications

| | | |
|---|---|------------------------------------|
| Conforming to Standards | IEC60947-5-1, EN60947-5-1, JIS C8201-5-1, UL508, CSA C22.2 No 14 | |
| Applicable Standards | ISO12100/EN292, IEC60204-1/EN60204-1, ISO11161/prEN11161, ISO10218/EN775, ANSI/RIA R15.06, | |
| Operating Temperature | –25 to +60°C (no freezing) | |
| Operating Humidity | 45 to 85% RH maximum (no condensation) | |
| Storage Temperature | –40 to +80°C (no freezing) | |
| Pollution Degree | 3 | |
| Contact Resistance | 100mΩ maximum | |
| Insulation Resistance | Between live & dead metal parts: 100MΩ maximum Between positive & negative live parts: 100MΩ minimum | |
| Impulse Withstand Voltage | 2.5kV | |
| Operating Frequency | 1200 operations/hour | |
| Mechanical Life | Position 1 → 2 → 1: 1,000,000 operations minimum Position 1 → 2 → 3 → 1: 100,000 operations minimum | |
| Electrical Life | 100,000 minimum at rated load | |
| Shock Resistance | Operating Extremes | 100m/s ² (10 G) |
| | Damage Limits | 1000m/s ² (100 G) |
| Vibration Resistance | Operating Extremes | 5 to 55Hz, amplitude 0.5mm minimum |
| | Damage Limits | 16.7Hz, amplitude 1.5mm minimum |
| Recommend Wire Size | 0.14 to 1.5mm ² (24AWG - 16AWG) | |
| Recommend Cable Size | ø7 to 13mm | |
| Conduit Size | M20 | |
| Terminal Pulling Strength | 20N minimum | |
| Terminal Screw Torque | 0.5 to 0.6Nm | |
| Degree of Protection | HE1G-21SM: IP66, HE1G-20MB: IP65 HE1G-20ME: IP65, HE1G-21SMB: IP65 | |
| Conditional Short Circuit Current | 50A (250V) | |
| Recommended Short Circuit Protection | 250V/10A fast blow fuse (IEC 60127-1) | |
| Weight | Approx. 250g (HE1G-20ME) Approx. 210g (HE1G-21SM) | |

Part Numbers

| Part Numbers | 3 Position Switch | Monitor Switch | Emergency Stop Pushbutton | Momentary Pushbutton |
|--------------|-------------------|----------------|---------------------------|----------------------|
| HE1G-21SM | 2 Contacts | Yes (1NC) | No | No |
| HE1G-20ME | 2 Contacts | No | Yes (2NC) | No |
| HE1G-21SMB | 2 Contacts | Yes (1NC) | No | Yes (1NO) |
| HE1G-20MB | 2 Contacts | No | No | Yes (2NO) |

Ratings

Contact Ratings

| | | | | | | |
|--------------------------------------|---|-----------|-------------------------------|------|-------|------|
| Rated Insulation Voltage (Ui) | | 250V | | | | |
| Thermal Current (Ith) | | 3A | | | | |
| Rated Operating Voltage (Ue) | | 30V | 125V | 250V | | |
| Rated Operating Current (Ie) | 3 Position Switch (Terminal No.1-2, 3-4) | AC | Resistive Load (AC-12) | – | 3A | 0.5A |
| | | | Inductive Load (AC-15) | – | 1.5A | 0.5A |
| | | DC | Resistive Load (DC-12) | 2A | 0.4A | – |
| | | | Inductive Load (DC-13) | 1A | 0.22A | – |
| | Monitor Switch (Terminal No. 5-6 of HE1G-21SM) | AC | Resistive Load (AC-12) | – | 2A | 1A |
| | | | Inductive Load (AC-15) | – | 1A | 0.5A |
| | | DC | Resistive Load (DC-12) | 2A | 0.4A | 0.2A |
| | | | Inductive Load (DC-13) | 1A | 0.22A | 0.1A |
| | Emergency Stop Pushbutton (Terminal No. 5-6, 7-8 of HE1G-20ME) | AC | Resistive Load (AC-12) | – | – | – |
| | | | Inductive Load (AC-15) | – | – | 0.5A |
| | | DC | Resistive Load (DC-12) | – | – | – |
| | | | Inductive Load (DC-13) | – | – | 0.1A |
| Contact Structure | 3 Position Switch | | 2 Contacts | | | |
| | Monitor Switch | | 0 or 1 Contact | | | |
| | Emergency Stop Pushbutton | | 0 or 2 Contacts | | | |
| | Momentary Pushbutton | | 0 to 2 contacts | | | |

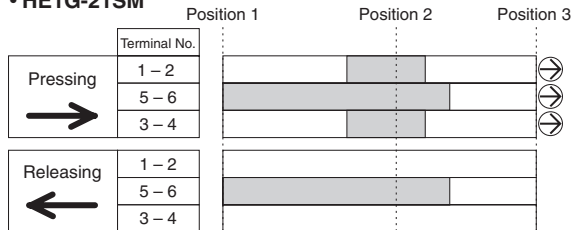


The minimum load (reference) = AC/DC3V • 5mA (for reference only).

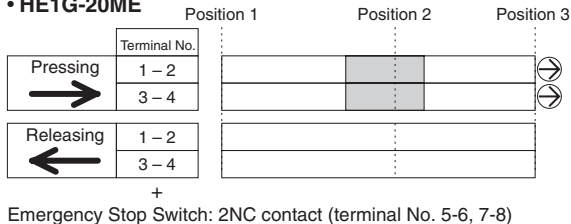
Operation Characteristics

Contact Movement

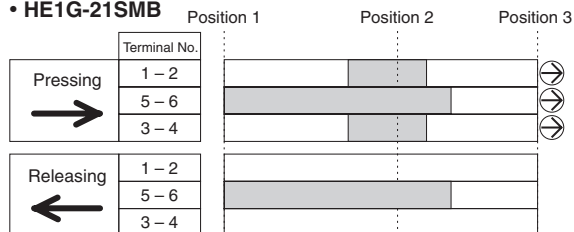
• HE1G-21SM



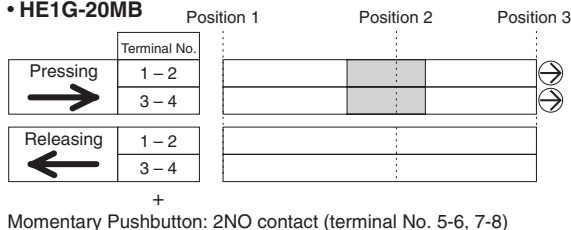
• HE1G-20ME



• HE1G-21SMB



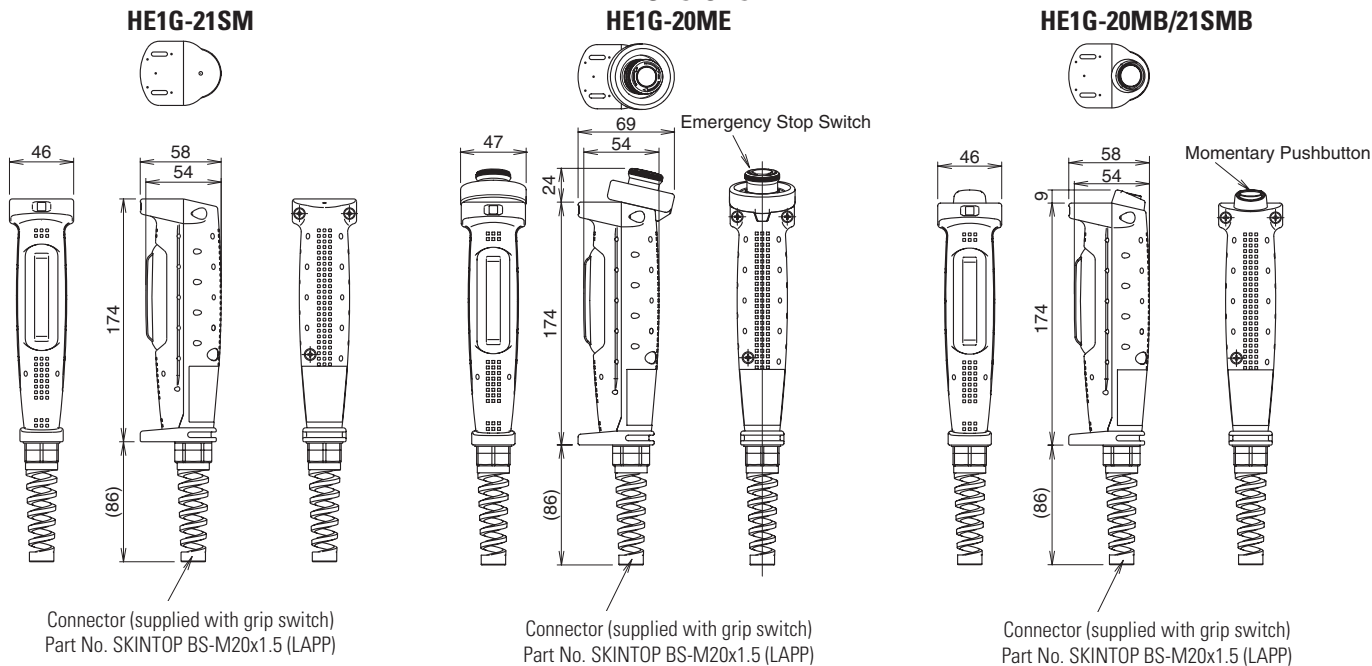
• HE1G-20MB



Legend: : contact ON (closed) : contact OFF (open)

- 1. Terminals No. 1-2, 3-4, 5-6 will become positive action when moving from position 2 to 3.
- 2. Use terminal contacts 1-2 and 3-4 for safest circuit.
- 3. When the center of the button is pressed, the above operation characteristics occur.

Dimensions



Replacement Rubber Cover

| Appearance | Part Number | Material | Color |
|------------|-------------|----------------|--------|
| | HE9Z-GBK1 | Silicon Rubber | Yellow |

Accessories

Mounting Plate (secures grip switch)

| Appearance | Part Number | Material |
|------------|-------------|----------|
| | HE9Z-GH1 | Metal |

Material: SUS304
Thickness: 3.0 mm

General Information

Safety Precautions

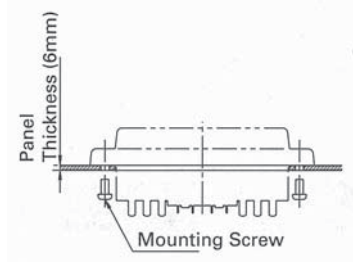
- In order to avoid electric shock or fire, turn power off before installation, removal, wire connection, maintenance or inspection of switch.
- Follow specification when installing. Improper electrical load may damage switch, cause electric shock, or fire.

- Use proper wire diameter to meet voltage and current requirements. Using improper wires or incomplete soldering may cause fire due to abnormal heat generation.

Installation Precautions

HE2B

- M3 nut is inside the rubber cover.



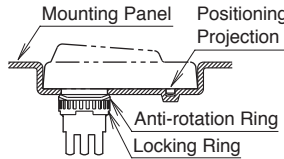
HE2B/HE3B

- A change in internal air pressure may cause the rubber boot to expand and shrink on an enabling switch that has the rubber boot sealed. This may affect the performance of the switch. Periodically check to ensure that the enabling switch is operating correctly.

- If the panel is not level when mounting an enabling switch, the waterproof feature cannot be guaranteed.

HE3B

- The rubber boot has a tab to be used for orientation. When making a positioning hole in a panel, do not make a hole in the rubber boot, or the waterproof feature cannot be guaranteed. When the positioning hole is not on the panel, remove the tab, but do not make a hole in the rubber boot.
- When tightening the locking ring, secure the flange to prevent the enabling switch from rotating. In applications where the enabling switch is to be rotated, mount the switch in a recess on the panel as shown.

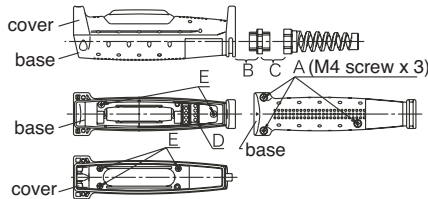


Wiring Precautions

HE1B/HE2B/HE3B

- Applicable wire size is 0.5mm² (20AWG) (maximum) / 1 line.
- When soldering the terminal, solder at a temperature of 260°C within 3 seconds. Use non-corrosive liquid rosin as soldering flux.

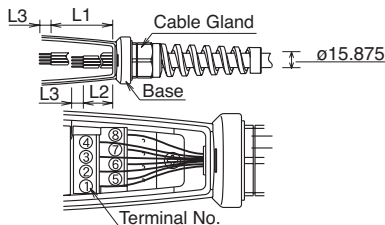
- Recommended Torque



HE1G

- Wire Stripping Information

| Wire Length | Terminal Number 1-4 | Terminal Number 5-8 |
|-------------|---------------------|---------------------|
| L1, L2 (mm) | L1=40mm | L2=27mm |
| L3 (mm) | L3=6mm | |



- Applicable Wire Size: 0.14 to 1.5mm² (24 - 16AWG, one wire per terminal)

Use Precautions

HE2B/HE3B/HE1G

- To ensure the highest level of reliability connect both contacts to a monitoring device such as a safety relay.

HE1B/HE2B/HE3B

- When installing the enabling switch ensure that it cannot be accidentally activated. For example, a protrusion from a teaching pendant could cause the enabling switch to be activated by the weight of the teaching pendant.

This document provided by Barr-Thorp Electric Co., Inc. 800-473-9123 www.barr-thorp.com

Overview

X Series E-Stops

Door Interlock Switches

Enabling Switches

Barriers

AS-Interface Safety at Work