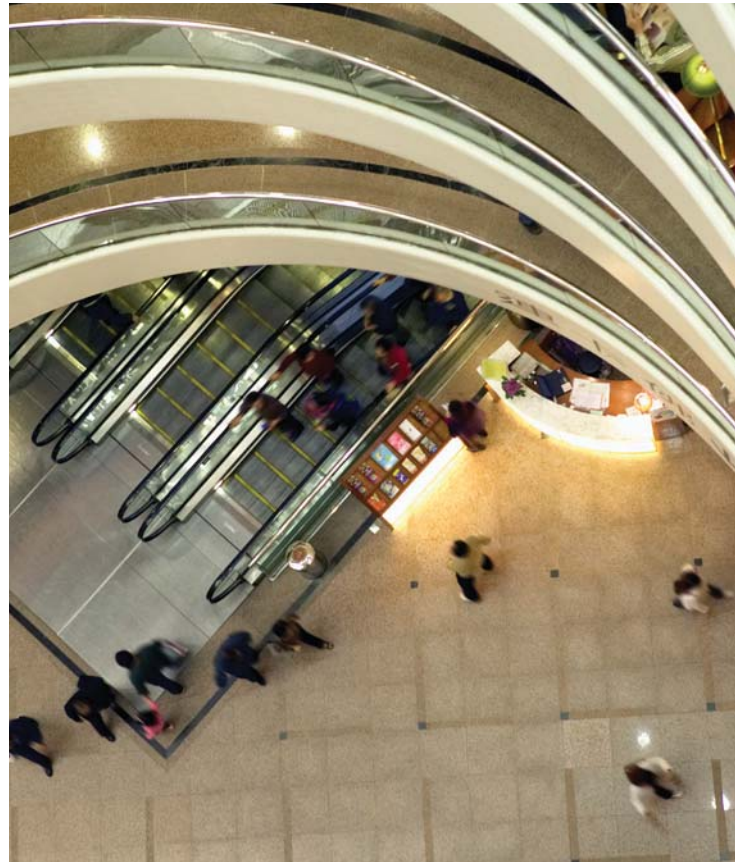
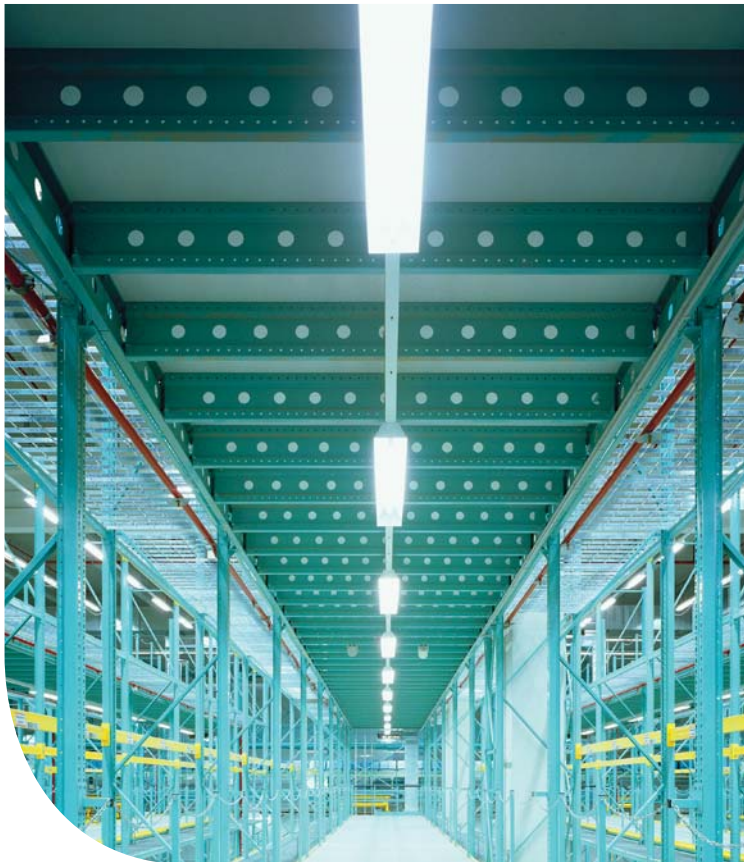
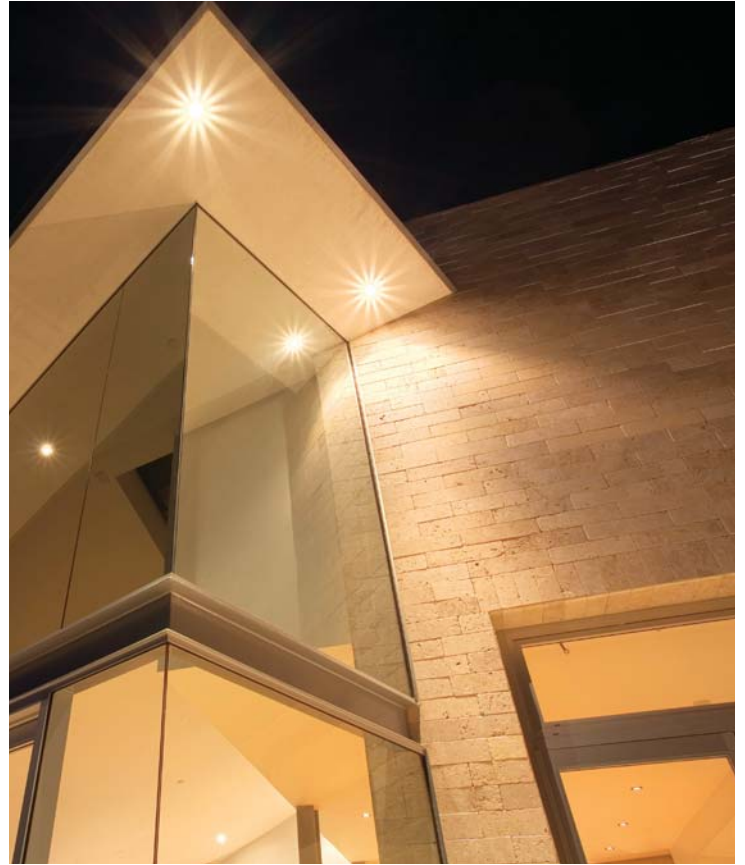


Smart Products. Ingenious Solutions.

Wiring Devices, Energy Management
Solutions and Commercial Data
Infrastructure Products

L-200





Lampholders

INDEX

| | |
|--|-----|
| Commercial Grade | |
| Medium Base Incandescent Outlet Box | 192 |
| Metal Shell | 194 |
| Multi-Lampholder Clusters | 195 |
| Mogul Base Incandescent | 197 |
| Medium Base Incandescent | 199 |
| Cadelabra Medium Base Incandescent | 202 |
| Keyless Fluorescent Ceiling Lampholders..... | 204 |
| Medium, High Output and Slimline | 205 |
| Medium and Miniature Bi-Pin Lamps | 206 |
| Medium Bi-Pin Lamps | 208 |
| Long Twin Tube With 2G11 Base | 212 |
| Lamp Support Clips for | |
| Long Twin Tube 2G11 Base | 214 |
| Compact Fluorescent Lampholders (CFLs) ... | 215 |
| “Smart” CFL Lampholders | 217 |
| GU24 Base Fluorescent | 221 |

Commercial Grade

Medium Base Incandescent Outlet Box Lampholders

Specifications and Features

- Twist-lock mounting
- Pull chain models have bell at end of chain on 3 foot cord
- Medium base



8827-CW2



9875-2



29816-C

MEDIUM BASE INCANDESCENT OUTLET BOX LAMPHOLDERS

White Urea One-Piece Keyless Top Wired

| Description/Terminals | Rating | Cat. No. | OD | Fits Box Size |
|-----------------------|---------------|----------|---------------------------------|---------------------------------------|
| 2 Terminal Screws | 600 WATT/600V | 8829-CW1 | 4 ¹ / ₂ " | 3 ¹ / ₄ " or 4" |
| 6" Pigtail Leads | 600 WATT/600V | 8829-CW2 | 4 ¹ / ₂ " | 3 ¹ / ₄ " or 4" |
| 4 Terminal Screws | 600 WATT/600V | 8829-CW4 | 4 ¹ / ₂ " | 3 ¹ / ₄ " or 4" |

White Urea One-Piece Pull Chain Top Wired

| Description/Terminals | Rating | Cat. No. | OD | Fits Box Size |
|---------------------------------------|---------------|----------|---------------------------------|---------------------------------------|
| 2 Terminal Screws | 660 WATT/250V | 8827-CW1 | 4 ¹ / ₂ " | 3 ¹ / ₄ " or 4" |
| 6" Pigtail Leads | 660 WATT/250V | 8827-CW2 | 4 ¹ / ₂ " | 3 ¹ / ₄ " or 4" |
| 2 Terminal Screws with Captive Clamps | 660 WATT/250V | 8827-CW4 | 4 ¹ / ₂ " | 3 ¹ / ₄ " or 4" |

Porcelain One-Piece Keyless Top Wired

| Description/Terminals | Rating | Cat. No. | OD | Fits Box Size |
|-------------------------------|---------------|----------|---------------------------------|---------------------------------------|
| 2 Screws◇ | 660 WATT/250V | 9874 | 3 ³ / ₄ " | 3 ¹ / ₄ " |
| 2 Screws, no Cage Lip | 660 WATT/250V | 9875 | 4 ¹ / ₂ " | 3 ¹ / ₄ " or 4" |
| 6" Pigtail Leads, no Cage Lip | 660 WATT/250V | 9875-2 | 4 ¹ / ₂ " | 3 ¹ / ₄ " or 4" |
| 4 Screws | 660 WATT/250V | 49875 | 4 ¹ / ₂ " | 3 ¹ / ₄ " or 4" |
| 4 Quickwire Push-In◇ | 660 WATT/250V | 9883 | 4 ¹ / ₂ " | 3 ¹ / ₄ " or 4" |

Porcelain One-Piece Pull Chain Top Wired

| Description/Terminals | Rating | Cat. No. | OD | Fits Box Size |
|--|---------------|-----------|---------------------------------|---------------------------------------|
| 2 Screws | 660 WATT/250V | 29816-C | 4 ¹ / ₂ " | 3 ¹ / ₄ " or 4" |
| 6" Pigtail Leads | 660 WATT/250V | 29816-C2 | 4 ¹ / ₂ " | 3 ¹ / ₄ " or 4" |
| 2 Screws w/Captive Clamps for 4-Wire Terminals | 660 WATT/250V | 49816-C | 4 ¹ / ₂ " | 3 ¹ / ₄ " or 4" |
| Interior Mechanism for 2-Piece Outlet Box Lampholders◇ | 660 WATT/250V | 29816-CM* | | |

*When existing stock is depleted, this item will be DISCONTINUED. CSA Certified except where indicated by ◇.

Commercial Grade

Porcelain One-Piece Pull Chain Side Wired 



| Description/Terminals | Rating | Cat. No. | OD | Fits Box Size |
|-----------------------|-------------|----------|--------|---------------|
| 2 Screws◊ | 15 Amp/125V | 9716-C | 4 1/2" | 3 1/4" or 4" |



9716-C

Porcelain One-Piece Pull Chain Top Wired  



| Description/Terminals | Rating | Cat. No. | OD | Fits Box Size |
|-----------------------|-------------|----------|--------|---------------|
| 2 Screws◊ | 15 Amp/125V | 9726-C | 4 1/2" | 3 1/4" or 4" |



9726-C

*When existing stock is depleted, this item will be DISCONTINUED. CSA Certified except where indicated by◊.

BALL AND CHAIN ACCESSORIES

| Description | Color | Cat. No. |
|--|---------------|----------|
| No. 6 Chain; 1/8" Dia. Balls | Brass Finish | 18302-1 |
| | Nickel Finish | 18302-1N |
| Connector for No. 6 Chain | Brass Finish | 9820 |
| | Nickel Finish | 9820-N |
| Chain, 3 feet long, End Bell and Connector use as extension or replacement; 1/25" Dia. Balls | Brass Finish | 6 |
| | Nickel Finish | 6-N |
| Description | Color | Cat. No. |
| Insulating Link; Thermoplastic 1 3/4" Total Length | White | 9839 |



18302-1N



9820



6



9839

TESTING AND CODE COMPLIANCE

- UL Listed (File #E-3810)
- CSA Certified (File #LR-1863)

Commercial Grade

Metal Shell Lampholders

Specifications and Features

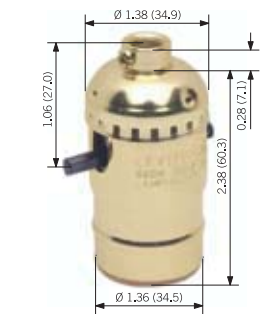
- Phenolic interior with aluminum screwshell
- 2-Circuit lampholders operate dual-filament lamps in sequence of Low-Medium-High-Off
- Cat. No. 7070 (2-Circuit, 3-Terminal) is wired in series with keyless lampholder



9346



7090



7080



95110

METAL SHELL LAMP HOLDERS

Medium Base, Choice of Finishes*

| Description | Rating | Cat. No. |
|---|-----------|----------|
| Key—Electrolier; Single Circuit; 1/8 IPS Tapped Bushing w/Set Screw | 250W 250V | 9346 |
| Removable Turn Knob—Electrolier; Single Circuit; 1/8 IPS Tapped Bushing w/Set Screw | 250W 250V | 10083-16 |
| Removable Turn Knob—Electrolier; 2-Circuit; 3 Terminal; 1/8 IPS Tapped Bushing less Set Screw | 250W 250V | 7070 |
| Removable Turn Knob—Electrolier; 2-Circuit; 1/8 IPS Tapped Bushing | 250W 250V | 7090 |
| Pull Chain—Electrolier; Single Circuit; 1/8 IPS Tapped Bushing w/Set Screws | 660W 250V | 19980 |
| Push Through—Electrolier; Single Circuit; 1/8 IPS Tapped Bushing w/Set Screw | 660W 250V | 7080 |
| Keyless—Electrolier; Single Circuit; 1/8 IPS Tapped Bushing w/Set Screw | 660W 250V | 8004 |
| Keyless—Short Electrolier; Single Circuit; 1/8 IPS Tapped Bushing w/Set Screw | 660W 250V | 9347 |

INTERIORS

Medium Base, Phenolic Body, Aluminum Screw Shell†

| Lampholder | Cat. No. Interior† |
|------------|--------------------|
| 19980 | 19980-M† |
| 10083-16 | 10083-M† |
| 7070 | 7070-M† |
| 7090 | 7090-M† |
| 9346 | 9346-M† |
| 6098 | 7080-M† |
| 8004 | 8004-M† |

BROWN PHENOLIC CAP AND SHELL LAMP HOLDERS

Two-Piece, Medium Base Electrolier Interiors

| Description | Rating | Cat. No. | Interiors† |
|--|-----------|----------|------------|
| Pull Cord (nylon); 2-Circuit, 1/8 IPS Threaded Cap w/Set Screw | 250W 250V | 97092 | 7092-2M† |
| Push-Through; 1/8 IPS Threaded Cap w/Set Screw | 660W 250V | 95110 | 7080-M† |
| Keyless; 1/8 IPS Threaded Cap w/Set Screw | | 95080 | 8004-M† |

* FINISH: A suffix must be added to each basic catalog number to indicate the finish desired. For Polished Gilt/Brass finish, add -PG; for Unfinished Aluminum, add -AL; for Polished Aluminum, add -NI (finishes on aluminum). For bright dip/Brass, add -BR (finish on brass). CONSULT LEVITON REPRESENTATIVE FOR AVAILABILITY OF FINISHES.

† UL Recognized component.
NOM Certified except where indicated by †.

TESTING AND CODE COMPLIANCE

- UL Listed (File #E-3810)
- CSA Certified (File #LR-1863)
- NOM Certified (File #057), except interiors

Multi-Lampholder Clusters

Specifications and Features

- Pull chain models have bell at end of chain on 3 foot cord
- Medium and Candelabra bases
- Par connectors have white, unglazed porcelain body

MEDIUM BASE MULTI-LAMPHOLDER CLUSTERS

Treated Aluminum Screw Shell

| Description | Rating | Cat. No. | T | TA | B | BA | OAH T+B |
|---|------------------------|----------|---------------------------------|------|---------------------------------|------|-----------------------------------|
| 2-Light Twin 1/8 IPS Male Top Bracket Only | 660W 250V | 4020-A3A | 1 ⁵ / ₁₆ | 5/16 | — | — | — |
| 2-Light Twin 1/8 IPS Male (top & bottom) | 660W 250V | 4015-D4F | 1 ¹¹ / ₁₆ | 5/16 | 1 ¹¹ / ₁₆ | 7/16 | 3 ³ / ₈ |
| 2-Light Offset 1/8 IPS Male (top & bottom) | 660W 250V | 4032-E5F | 1 ³ / ₄ | 5/16 | 1 ³ / ₄ | 7/16 | 3 ¹¹ / ₁₆ |
| 3-Light 1/8 IPS Male (top & bottom)† | 660W 250V | 341-D4U | 1 ³ / ₄ | 1/2 | 1 ³ / ₄ | 7/16 | 3 ¹ / ₂ |
| 2-Light Offset 1/8 IPS Male (top); Pullchain Switch (bottom) with 1/2" usable shank◊ | 660W 250V 1A 125V T | 4034-F5A | 1 ³ / ₄ | 5/16 | 1 ¹⁵ / ₁₆ | 1/2 | 3 ³ / ₄ + |
| 2-Light Twin 1/8 IPS Male (top); Pullchain Switch (bottom) 3/8" usable shank◊ | 660W 250V 1A 125V T | 4017-D2F | 1 ¹ / ₁₆ | 5/16 | 1 ¹¹ / ₁₆ | 3/8 | 2 ¹³ / ₁₆ + |

†Includes nut. Leads are No. 18 AWG 105°C plastic; 9" long, stripped 3/4"; untinned and pulled through top bracket.
All devices are UL Listed except Cat. No. 905. Also CSA Certified except where indicated by ◊, and NOM Certified except where indicated by †.

PORCELAIN PAR CONNECTORS

| Description | Rating | Cat. No. |
|--|------------|----------|
| Medium Base for PAR #46 and #38 lamps. Leads are No. 14 AWG 200°C SEW-2 Silicone Rubber Insulated; 18" Long, Stripped 3/4". Others available on inquiry† | 660W 125V | 368-1 |
| Mogul Base for PAR #56 and #64 lamps. Leads are No. 14 150°C SEWF-2; 18" Long, Stripped 3/4". Others available upon request | 1000W 125V | 357-8 |

All devices are UL Listed except Cat. No. 905. Also CSA Certified except where indicated by ◊, and NOM Certified except where indicated by †.

BAYONET SOCKET — SINGLE CONTACT

Candelabra Base

| Description | Rating | Cat. No. |
|--|-------------|----------|
| Flat Bracket. Leads are No. 18 AWG, 105°C Plastic; 6" Long, Stripped 3/4" (one black, one white)◊† | Low Voltage | 905 |

All devices are UL Listed except Cat. No. 905. Also CSA Certified except where indicated by ◊, and NOM Certified except where indicated by †.



4034-F5A



341-D4U



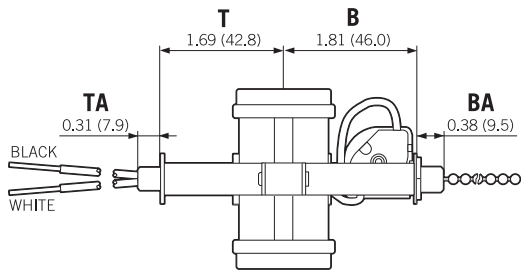
4032-E5F

Commercial Grade

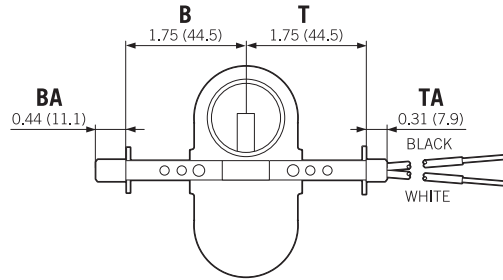
TESTING AND CODE COMPLIANCE

- UL Listed (File #E-13405, E-3810)
- CSA Certified (File #LR-5863, LR-1863)
- NOM Certified (File #057)

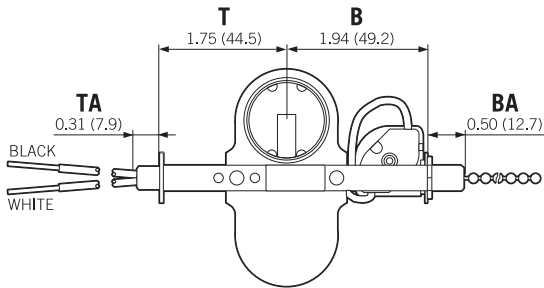
DIMENSIONS



4017-D2F



4032-E5F



4034-F5A

Mogul Base Incandescent Lampholders

Specifications and Features

- Cat. No. 8746 - Porcelain body gray glazed with ceramic arc shield; Cat. No. 8750 - Porcelain body yellow glazed; Cat. No. 8751 - Porcelain body pink glazed
- All other moguls listed have white glazed porcelain body
- Copper-alloy nickel-plated screw shell

PORCELAIN MOGUL BASE LAMP HOLDERS

With Leads  

| Description | Rating | Cat. No. | OD | OH |
|--|-------------------------------|----------|--------------------------------|---------------------------------|
| Keyless, Single Circuit. For high pressure sodium lamps up to 1000 watts. 8-32 Mounting Screws on 1 ³ / ₈ " Centers | 1500W 600V 5KV Pulse-rated | 8746 | 2 ¹ / ₈ | 3 ¹ / ₆₄ |
| Keyless, Single Circuit. Position-oriented. For Super Metalarc HID lamps. 8-32 Mounting Screws on 1 ³ / ₈ " Centers | 1500W 600V | 8750 | 2 ⁵ / ₃₂ | 2 ³⁹ / ₆₄ |
| Keyless, Single Circuit. For high-pressure sodium lamps up to 400 watts. 8-32 Mounting Screws on 1 ³ / ₈ " Centers | 1500W 600V 4KV Pulse-rated | 8756 | 2 ⁵ / ₃₂ | 2 ³⁹ / ₆₄ |
| Low Pressure Sodium. For use with all single-end bayonet base low pressure sodium lamps \diamond \ddagger | 660W 1000V | 8806 | 1 ³ / ₈ | 1 ⁵ / ₈ |
| Designed for Open-Fixture Shielded Metal Halide Lamps. Complies with NFPA 70-2005 for Open-Rated Fixtures. 8-32 Mounting Screws on 1 ³ / ₈ " Centers | 1500W 600V 4KV Pulse Rated | 8751 | 2 ⁵ / ₃₂ | 2 ³⁹ / ₆₄ |

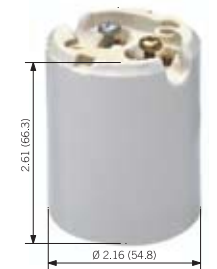
Leads types, lengths and ratings vary with the end use applications. Standard leads as well as variations available on inquiry. CSA Certified except where indicated by \diamond , and NOM Certified except where indicated by \ddagger .



8746



8750



8694

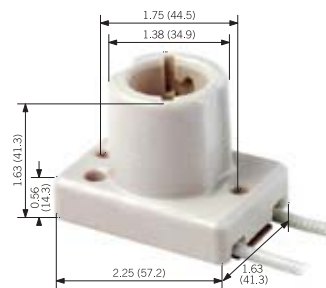
SCREW TERMINALS  

| Description | Rating | Cat. No. | OD | OH |
|--|------------|----------|--------------------------------|---------------------------------|
| Keyless; 2-Piece; Single-Pole \diamond | 1500W 600V | 8765 | 2 ⁵ / ₁₆ | 2 ²³ / ₆₄ |
| Keyless; Single Circuit with 8-32 Lock Nuts on 1 ³ / ₈ " Centers. Die-cast caps available upon request | 1500W 600V | 8694 | 2 ⁵ / ₃₂ | 2 ³⁹ / ₆₄ |

CSA Certified except where indicated by \diamond .

TESTING AND CODE COMPLIANCE

- UL Listed (File #E-13402)
- CSA Certified (File #LR-1863)
- NOM Certified (File #057)
- Cat. No. 8751 complies with NFPA 70-2005 requirements for open-rated fixtures



8806

Commercial Grade

Medium, Mogul and Candelabra Base Incandescent Lampholders

Specifications and Features

- Medium-to-Medium Extenders available in phenolic and porcelain
- Pony Cleat Receptacles have open wiring terminals
- Two-piece surface-type lampholders have concealed wiring terminals with wireways for top and continuous wiring

SOCKET EXTENSIONS — SINGLE CIRCUIT

Medium-Medium



2005

| Description | Rating | Cat. No. |
|--|-----------|----------|
| 2-Piece Porcelain; Mounting Hole 1 ³ / ₈ " Dia. Extension 1 ¹ / ₄ "* | 660W 250V | 2004 |
| 1-Piece Porcelain; Slotted Mounting Hole 1 ³ / ₈ " Dia. Extension 1 ¹ / ₄ "* | 660W 250V | 2005 |
| 1-Piece Phenolic. Extension 1 ³ / ₁₆ "** | 660W 250V | 2006 |

*To be used with porcelain sockets only.

**To be used with phenolic sockets only.

Mogul-Mogul

| Description | Rating | Cat. No. |
|---|------------|----------|
| 1-Piece Porcelain. Extension 2 ³ / ₈ "‡ | 1500W 600V | 8647 |

CSA Certified except where indicated by ◊ and NOM Certified except where indicated by ‡.

SOCKET ADAPTER

Mogul-To-Porcelain Medium



19062

| Description | Rating | Cat. No. |
|---|------------------|----------|
| 1-piece. Meets Fed. Spec. W-L-142a‡ | 660W 250V | 8681- |
| Same as above, except 4 KV Pulse-Rated‡ | 660W 250V | 8681-400 |
| | 4 KV Pulse-Rated | |

CSA Certified except where indicated by ◊ and NOM Certified except where indicated by ‡.

APPLIANCE HEATING RECEPTACLE

Porcelain Two-Piece

| Description | Rating | Cat. No. |
|---|-----------|----------|
| 2-piece Heating Receptacle. Gasket Furnished‡ | 660W 250V | 8110 |

CSA Certified except where indicated by ◊ and NOM Certified except where indicated by ‡.

PORCELAIN AND PHENOLIC LAMPHOLDERS

Pony Cleat Type

| Description | Rating | Cat. No. | OD | OH | C |
|---|-----------|----------|--------------------------------|-------------------------------|---------------------------------|
| Candelabra Base; Plastic. Not UL Listed◊ ‡ | 75W 125V | 10028 | 1 ⁷ / ₁₆ | ⁷ / ₈ | 1 ¹ / ₈ |
| Miniature Base, Plastic. Not UL Listed◊ ‡ | 75W 125V | 10020 | 1 ⁵ / ₁₆ | ⁷ / ₈ | 3 ¹ / ₃₂ |
| Medium Base, Phenolic | 660W 250V | 9063 | 1 ⁷ / ₈ | 1 ¹ / ₂ | 1 ¹⁵ / ₁₆ |
| Medium Base, Porcelain | 660W 250V | 19062 | 1 ⁷ / ₈ | 1 ¹ / ₂ | 1 ¹⁵ / ₁₆ |

CSA Certified except where indicated by ◊ and NOM Certified except where indicated by ‡.

Surface Type  

| Description | Rating | Cat. No. | OD | OH | C |
|--|-----------|----------|--------------------------------|-------------------------------|-------------------------------|
| Medium Base; Porcelain; Low 2-Piece | 660W 250V | 9880 | 2 ⁵ / ₁₆ | 1 ¹ / ₂ | 1 ³ / ₈ |
| Medium Base; Porcelain; High 2-Piece \diamond \ddagger | 660W 250V | 9882 | 2 ⁵ / ₁₆ | 1 ⁷ / ₈ | 1 ³ / ₈ |

CSA Certified except where indicated by \diamond and NOM Certified except where indicated by \ddagger .

TESTING AND CODE COMPLIANCE

- UL Listed (File #E-3810; E-13396)
- CSA Certified (File #LR-1863)
- NOM Certified (File #057)



Medium Base Incandescent Lampholders

Specifications and Features

- Suitable for a wide variety of fixtures, signs and displays
- Unglazed base and ring on two-piece lampholders
- Gasket supplied with two-piece ring type rated at 90°C dry maximum

PORCELAIN SNAP-IN LAMP HOLDERS

Medium Base Screw Terminals  

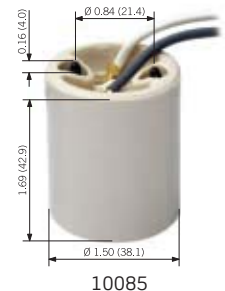
| Description | Rating | Cat. No. | OD | OH |
|--|-----------|----------|---------------------------------|---------------------------------|
| 1-Piece, Front Mounted 1/4" Shoulder Panel Thickness: .025 -.062" | 660W 250V | 8880 | 1 ¹¹ / ₁₆ | 1 ¹ / ₂ |
| 1-Piece, Front Mounted Shallow Back. Panel Thickness: .030 -.062" | 660W 250V | 8875 | 1 ¹¹ / ₁₆ | 1 ¹¹ / ₁₆ |



PORCELAIN KEYLESS LAMP HOLDERS COMMERCIAL UNITS

Medium Base Single Circuit Screw Terminals  

| Description | Rating | Cat. No. | OD | OH |
|--|-----------|----------|---------------------------------------|---------------------------------|
| Straight Body with Cap. Screw Terminals | 660W 250V | 10045 | 1 ¹ / ₂ | 2 ¹ / ₈ |
| Beaded Body for 1 ¹ / ₂ " Clamp Style Shadeholder with Cap Screw Terminals | 660W 250V | 10065 | Body 1 ¹ / ₂ | 2 ¹ / ₈ |
| Adjustable Glass Retaining Ring with Cap and Ring Nut. Screw Terminals | 660W 250V | 20070 | 2 ¹ / ₄ ringnut | — |
| Straight Body with Leads. No. 18 AWG 105°C Plastic; 9" Long, Stripped 3/4" with Two 6/32 Mounting Screws | 660W 250V | 10085 | 1 ¹ / ₂ | 1 ¹¹ / ₁₆ |



PORCELAIN KEYLESS FIXTURE SINGLE CIRCUIT

Medium Base Screw Terminals  

| Description | Rating | Cat. No. | OD | OH |
|---|-----------|----------|---------------------------------|--------------------------------|
| 1-Piece, Front Mounted for Fixture or Sign Use. Tapped 8-32 Bushings, Mounting Centers 1 ¹³ / ₁₆ ". | 660W 600V | 9885 | 1 ⁵ / ₈ | 1 ⁷ / ₁₆ |
| 2-Piece, Ring Type | 660W 250V | 9350 | 1 ³ / ₄ | 1 ³ / ₈ |
| 1-Piece with Removable Strap \diamond | 660W 250V | 8871 | 1 ¹¹ / ₁₆ | 1 ⁹ / ₁₆ |
| Fixture Pan Lampholder with 1/8" IPS Hickey | 660W 250V | 3152-8 | 1 ³ / ₈ | 1 ⁷ / ₁₆ |

CSA Certified except where indicated by \diamond and NOM Certified except where indicated by \ddagger .



Commercial Grade



8101

LEADS

| Description | Rating | Cat. No. | OD | OH |
|---|------------------------------|-----------|---------------------------------|--------------------------------|
| 2-Piece Ring Type with Leads: No. 18 AWG, 105°C Plastic; 9" Long, Stripped 3/4" | 660W 250V | 8101 | 1 ³ / ₄ | 1 ³ / ₈ |
| Angle Pan with Leads: No. 18 AWG Type AF 150°C Plastic; 9" Long, Stripped 3/4" | 660W 250V | 18315 | — | — |
| Removable Bracket with Leads | 660W 250V | 8052-1 | 1 ³ / ₈ | 1 ⁷ / ₁₆ |
| Screw-Mount Pulse-Rated Lampholder with Leads for Open-Fixture Lamps; 18 AWG 200°C 600V SEW-2 (SF-2) wire; 9" Long, Stripped 1/2" | 660W 600V 4KV Pulse Rated | 70052-100 | 1 ⁴⁵ / ₆₄ | 2 ⁹ / ₃₂ |

Two-Piece Pull Chain

| Description | Rating | Cat. No. | OD | OH |
|---|-----------|----------|---------------------------------|---------------------------------|
| Ring Type; Screw Terminals; Gasket Furnished \diamond † | 250W 250V | 9814 | 1 ¹³ / ₁₆ | 1 ¹³ / ₁₆ |

CSA Certified except where indicated by \diamond and NOM Certified except where indicated by †.

TESTING AND CODE COMPLIANCE

- UL Listed (File #E-3810)
- CSA Certified (File #LR-1863)
- NOM Certified (File #057)

Medium Base , Metal and Quartz Halogen Incandescent Lampholders

Specifications and Features

- Cat. No. 3352 lampholder bodies have wireways
- Side-Mounted lampholders are white glazed porcelain with copper-alloy screwshell
- Recessed Single-Contact lampholders have porcelain body with nickel-plated steel housing
- Cat. No. 560 has a metal lamp-positioning clip (patent pending) that maintains lamp seating position
- Cat. No. 565 is designed for energy-efficient CDM lamps
- Cat. No. 570 twists in and is fully dimmable



3352-1

PHENOLIC KEYLESS FIXTURE

Medium Base Screw Terminals

| Description | Rating | Cat. No. |
|--|-----------|----------|
| Permanent Bracket. Terminal Screws Backed Out and Staked | 660W 250V | 3352-1 |
| Same as 3352-1, with Shorter Bracket | 660W 250V | 3352-F |
| Removable Hickey. Terminal Screws Backed Out and Staked | 660W 250V | 3352-8 |

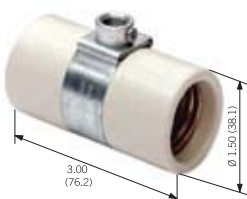
Hickeys and brackets are available in various types and sizes. Consult a Leviton representative for more information.

PORCELAIN KEYLESS, SIDE-MOUNTED

Medium Base Screw Terminals

| Description | Rating | Cat. No. |
|---|-----------|----------|
| Single Lampholder w/Side Outlet Bushing — 1/8 IPS | 660W 250V | 10091 |
| Twin Lampholder w/Bushed Flange — 1/8 IPS | 660W 250V | 4010 |
| Twin Lampholder w/Single Outlet Bushing — 1/8 IPS | 660W 250V | 4005 |
| Same as 4005 with 3/8 IPS Bushing | 660W 250V | 4006 |

All bushings are tapped and have set screw.



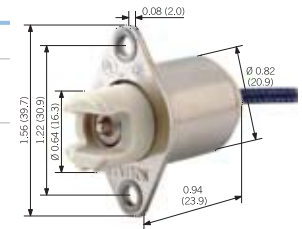
4005

CANDLE SOCKETS, BOTTOM TURN KNOB

Medium Base Screw Terminals

| Description | Rating | Cat. No. |
|--|-----------|----------|
| Three-light, two-piece phenolic husk. Lighting sequence: LO-MED-HI-OFF◊ | 250W 250V | 4063 |

CSA Certified except where indicated by ◊.



554

LAMP HOLDERS FOR RECESSED SINGLE CONTACT LAMPS

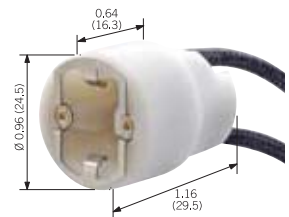
| Description | Rating | Cat. No. |
|---|------------|----------|
| Front Flange Mount. Standard Leads are No. 18 AWG, Type SEW-2, 200°C, 18" Long, Stripped ³ / ₄ " ‡ | 3000W 600V | 554 |
| Rear Flange Mount. Same Leads and Specs as No. 554 ‡ | 3000W 600V | 555 |

NOM Certified except where indicated by ‡.

LAMP HOLDERS FOR METAL HALIDE AND QUARTZ HALOGEN LAMPS

| Description | Rating | Cat. No. |
|---|------------------------------|----------|
| Single-Ended Metal Halide for Lamps with a G8.5 Base. Lead-In Edge on Body Ensures Proper Lamping. Standard Leads (2) are Black 5KV Pulse Rated No. 18 AWG, Type SEW-2, 200°C 600V Wire, 9" Long, Stripped .325" ‡ | 660W 600V 5KV Pulse Rated | 560 |
| Single-Ended Metal Halide for Lamps with a GX8.5 Base, such as Philips CDM-R11, rated up to 150W. Standard Leads (2) are Black No. 18 AWG, 5KV Pulse Rated SEW-2, 200°C 600V Wire, 12" Long, Stripped ¹ / ₂ " ‡ | 660W 600V 5KV Pulse Rated | 565 |
| Twist-In Single-Ended Quartz Halogen for Lamps with a GU10 Base, rated up to 150W. Fully Dimmable; Standard Leads (2) are White, No. 20 AWG Teflon® wire, rated 250°C 600V, 6" Long, Stripped ¹ / ₂ " ‡ | 660W 600V 5KV Pulse Rated | 570 |
| Twist-In Single-Ended Socket for lamps with a GX10 Base, rated up to 150W. with a 5k Puls Rating. Standard leads (2) are white, No. 18 AWG Teflon wire, rated 250°C 600U, 18" long, Stripped ¹ / ₂ " | 1500W 6A 5k Pulse Rated | 571 |

NOM Certified except where indicated by ‡.



560



571

TESTING AND CODE COMPLIANCE

- UL Listed (File #E-3810) Cat. Nos. 560, 565 and 570: cULus (File #E-13405)
- CSA Certified (File #LR-1863)
- NOM Certified (File #057)

Commercial Grade

Candelabra and Medium Base Incandescent Lampholders

Specifications and Features

- Candle sockets for single-light applications
- Fiber Disc Body for use with standard candle tubes
- Spring-tempered steel clip holds Cat. No. 10014-800 socket rigidly in place



4155

CANDLE SOCKETS, BOTTOM TURN KNOB

Medium Base Screw Terminals

| Description | Rating | Cat. No. |
|--|-----------|----------|
| 1-Piece Phenolic Body; 2 Leg Bracket; Single Light; Removable Interior; Knurl Nut and Lock Nut | 660W 250V | 4155 |
| 2-Piece Phenolic Husk & Removable Interior Husk; Single Light; Knurl Nut | 660W 250V | 4158 |

CANDLE SOCKETS, KEYLESS*

Medium Base Fiber-Disc Body, Screw Terminals

| Description | Rating | Cat. No. |
|--|-----------|----------|
| Solid Hickey, 2" Overall Height‡ | 660W 250V | 8684 |
| Adjustable Hickey. Overall Height: 4-5 ³ / ₄ " | 660W 250 | 9800 |

*Insulating paper liner pushes down against Hickey projections.

NOTE: These items are designed for use with standard socket candle tubes (1¹⁵/₁₆" dia.) and require a minimum of 1³/₁₆" dia. flat bottom of candle cup for clearance. NOM Certified except where indicated by ‡.



9805

CANDLE SOCKETS, PHENOLIC

Medium Base With Removable Turn Knob, Screw Terminals

| Description | Rating | Cat. No. |
|---|-----------|----------|
| Removable Knob (Short Type), Adjustable Hickey. Overall Height: 4-5 ¹ / ₂ " | 250W 250V | 9805* |
| Removable Knob, Removable 1-Leg Hickey. Overall Height: 2 ⁷ / ₁₆ " | 250W 250V | 9805-A* |

NOTE: These items are designed for use with standard socket candle tubes (1¹⁵/₁₆" dia.) and require a minimum of 1³/₁₆" dia. flat at bottom of candle for clearance. NOM Certified except where indicated by ‡.



10025

CANDELABRA BASE, KEYLESS* ‡

| Description | Rating | Cat. No. |
|---|----------|-----------|
| Screw Terminals; Solid Hickey. Overall Height: 2" | 75W 125V | 10025 |
| Screw Terminals; Solid Hickey. Overall Height: 1 ¹ / ₂ " | 75W 125V | 10027 |
| Screw Terminals; Adjustable Hickey: 3 ¹ / ₄ -4 ³ / ₄ " | 75W 125V | 10026 |
| Double Snap-In Spring Clips. Height of socket from panel is 1". Leads are No. 18 AWG 105°C plastic, 24" long, stripped 1/2" | 75W 125V | 10014-800 |

*7/8" candle tube. All Hickeys tapped 1/8 IPS.



10014-800

TESTING AND CODE COMPLIANCE

- UL Listed (File #E-3810; E-13400)
- CSA Certified (File #LR-1863)
- NOM Certified (File #057)

Candelabra and Medium Base Incandescent Lampholders

Specifications and Features

- Candle socket has white unglazed porcelain body with aluminum screw shell
- Choice of Pin-Type or Pigtail Type for temporary lighting applications
- Two-Piece Pin Type automatically pierces wire leads

CANDLE SOCKETS — PORCELAIN

Candelabra Base Screw Terminals

| Description | Rating | Cat. No. |
|--|----------|----------|
| Solid Hickey.* Overall Height: 2 ³ / ₃₂ " \diamond ‡ | 75W 125V | 20025 |

*Other hickey sizes available. Also CSA Certified except where indicated by \diamond , and NOM Certified except where indicated by ‡.



20025

KEYLESS HEAVY DUTY PHENOLIC SINGLE CIRCUIT LAMPHOLDERS

Two-Piece Pin Type

| Description | Rating | Cat. No. |
|---|-----------|----------|
| Candelabra Base, Detachable Zinc-Plated Wire Hook. Accepts No. 20 - No. 18 Stranded Insulated Wire | 75W 125V | 267** |
| Medium Base, Detachable Zinc-Plated Wire Hook. Accepts No. 14 - No. 12 Stranded Insulated Wire | 660W 250V | 167** |

NOTE: Linings assembled.

**For temporary lighting — not waterproof.



267

PIGTAIL TYPE MEDIUM BASE WITH LEADS

| Description | Rating | Cat. No. |
|--|-----------|----------|
| Vinyl, Phenolic Interior & Screw Shell, Brass Shell Contact. Leads are No. 14 AWG, 6" Long, Stripped ³ / ₄ ", Molded into Boots‡ | 660W 250V | 55** |
| Phenolic with Brass Screw Shell. Leads Soldered and Hot Waxed in Deep Well are No. 14 AWG 6" Long | 660W 250V | 157** |
| Same as 157 above, with Left-Hand Screw Shell | 660W 250V | 157-X** |
| Rubber, Aluminum Screwshell. Leads are No. 16 AWG, 6" Long, Soldered to Terminals and Sealed in Rubber Boot \diamond | 660W 250V | 124-D |

**For temporary lighting—not waterproof.

All devices are UL Listed except Cat. No. 124-D. Also CSA Certified except where indicated by \diamond , and NOM Certified except where indicated by ‡. Note: The listed products may be used at construction sites provided that bulb cages are used and suitable splices are made. The listing for the products meets the OSHA requirement and is made for open wiring without a separate outlet box.



167

TESTING AND CODE COMPLIANCE

- UL Listed (File #E-13400) 267**
- UL Listed (File #E-3810) 55**, 157**, 157-X** and 167**
- CSA Certified (File #LR-1863)
- NOM Certified (File #057)



55

Commercial Grade

Keyless Fluorescent Ceiling Lampholders

Specifications and Features

Keyless Fluorescent Ceiling Lampholders

- 13W GU24 Base Lamp
- Keyless Bi-Pin Compact Fluorescent Lampholder
- Impact resistant thermoplastic construction
- Optional polycarbonate lamp guard available
- Pigtail leads provide easy installation
- Knockout holes on box enable multiple configurations
- Thread-cutting screws facilitate installation of lamp guard
- Pull Chain ON/OFF - no wall switch required
- Lamp Output = 900 lumens
- Lamp Color = 2700 K
- Lamp Life = 10,000 hours average
- Limited Two-Year Warranty on Lampholder and Guard

Applications

- Installs in closets, garages, basements, utility rooms and attics
- Suitable for indoor use only
- Use with a standard wall switch



9860

KEYLESS FLUORESCENT CEILING LAMPHOLDER

| Description | Rating | Cat. No. |
|---|-------------------|-------------|
| Lampholder | 120W-250VAC, 60Hz | 9860 |
| Lampholder with 13W Lamp and Lamp Guard* | 120W-250VAC, 60Hz | 9860-BL/LHG |
| Lamp Guard | 120W-250VAC, 60Hz | 9860-L |
| Pull Chain Lampholder with 13W Lamp and Lamp Guard* | 120W-250VAC, 60Hz | 9862-PC/PCH |

*ENERGY STAR qualified.

GU24 Base Fluorescent Lampholder

Energy-Saving Keyless Bi-Pin Compact Fluorescent Ceiling Lampholder for Closets and Closed Spaces 120 WATT 250V AC

GU24 BASE FLUORESCENT LAMPHOLDER



9862

| Description | Cat. No. |
|--|----------|
| Lampholder with Pigtail Leads and Knockout Holes for Multiple Configurations | 9860 |
| Lampholder with Pigtail Leads and Knockout Holes for Multiple Configurations; with 13W Bulb | 9860-B |
| Lampholder with Pigtail Leads and Knockout Holes for Multiple Configurations; with 13W Bulb and Lamp Guard | 9860-BL |
| Lamp Guard | 9860-L |
| 13W Replacement Lamp | 9865 |

NOTE: Not intended for use with incandescent lamps, dimmers or occupancy sensors.

TESTING AND CODE COMPLIANCE

- ENERGY STAR qualified (Catalog Numbers 9860-BL/LHG, 9862-PC/PCH)
- UL as Listed
- Meets NFPA 70, NEC Section 410.8B Requirements. Can be utilized in closets and open spaces
- Meets Canadian Electric Code Requirements for use in closets with lamp guard
- Patent Pending

Medium, High Output and Slimline — Linear Fluorescent Lampholders

Specifications and Features

- Silver-plated copper alloy contacts
- Quickwire terminals accept No. 18 AWG twisted and tinned, solder-dipped or solid leads
- Lampholders are white, starter bases are black

RECESSED DOUBLE CONTACT, PEDESTAL TYPE UR

For High Output Lamps

| Description | Rating | Cat. No. Plunger | Cat. No. Fixed |
|--|-----------|---------------------|-------------------|
| Screw Mount, Push-in wiring* | 660W 600V | 13464 | 13465 |
| Same as 13464/13465 except with Internal Shunt Connection for Electronic Ballasts* | 660W 600V | 23464 | 23465 |
| Slide-on, Shallow Base, Quickwire Terminals* | 660W 600V | 13550 | 13551 |
| Slide-on, Shallow Base for Power Groove and Jacketed Lamps, Quickwire Terminals* | 660W 600V | 13556 | 13557 |



For Slimline, Single Pin Lamps

| Description | Rating | Cat. No. Plunger | Cat. No. Fixed |
|--|------------|---------------------|-------------------|
| Butt-On Surface Mounting, 12" Leads‡ | 660W 1000V | 452 | — |
| | 660W 600V | — | 453 |
| Pedestal Base, Slide-On | 660W 1000V | 466 | — |
| | 660W 600V | — | 467 |
| Shallow Base, Slide-On or Lock-On Mounting, Quickwire Terminals* | 660W 1000V | 2536 | — |
| | 660W 600V | — | 2537 |



For Medium Bi-Pin Lamps

| Description | Rating | Cat. No. White |
|--------------------------------------|-----------|-------------------|
| Thin Body, Quickwire Terminals | 660W 600V | 431-W |
| Accommodate Rapid-Start Circuits | | |
| Pedestal type, Straight-in Wiring | 660W 600V | 390-1W |
| Through Wireways or Screw Terminals‡ | | |
| Same as above, with Starter Base‡ | 660W 600V | 391-1W |

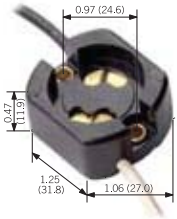


NOM Certified except where indicated by ‡.

*Suitable for outdoor applications when properly enclosed.

continued on next page >

Commercial Grade



396

STARTER BASES

For Medium Bi-Pin Lamps

| Description | Rating | Cat. No. |
|---------------------------------------|-----------|----------|
| Starter Base; Screw Terminals, Black‡ | 660W 250V | 380 |
| Starter Base; with Leads, Black‡ | 660W 250V | 396 |

NOM Certified except where indicated by ‡.
*Suitable for outdoor applications when properly enclosed.

TESTING AND CODE COMPLIANCE

- UL Listed (File #E-5833)
- CSA Certified (File #LR-1863; LR-5863; LR-2200)
- NOM Certified (#057)

Medium and Miniature Bi-Pin Lamps—Linear Fluorescent Lampholders

Specifications and Features

- Versatile snap-in mounting reduces fixture assembly time
- Quickwire terminals accept either No. 18 AWG (stranded, twisted or tinned), No. 18 AWG solid or No. 16 AWG solid
- Internal Shunt versions stamped “S” on back for easy identification



13518

SURFACE MOUNT WITH LEADS*

For Medium and Miniature Bi-Pin Lamps

| Description | Rating | Cat. No. White |
|--|-----------|-------------------|
| Rapid-Start Medium Bi-Pin, 9" leads | 660W 600V | 395-W |
| Rapid-Start Medium Bi-Pin, Disconnect (paired with Cat. No. 395-W), 9" leads | 660W 600V | 389-W |
| Miniature Bi-Pin for T5 Lamp, 6" leads | 75W 250V | 420-W |

*Leads are No. 18 AWG, 105°C plastic insulated wire.

SNAP-IN WITH QUICKWIRE

For Slimline, Medium Bi-Pin, High Output Lamps

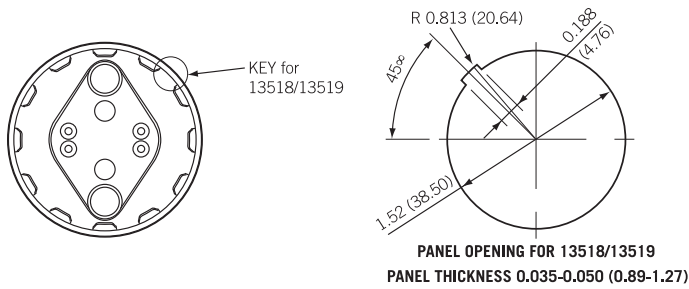
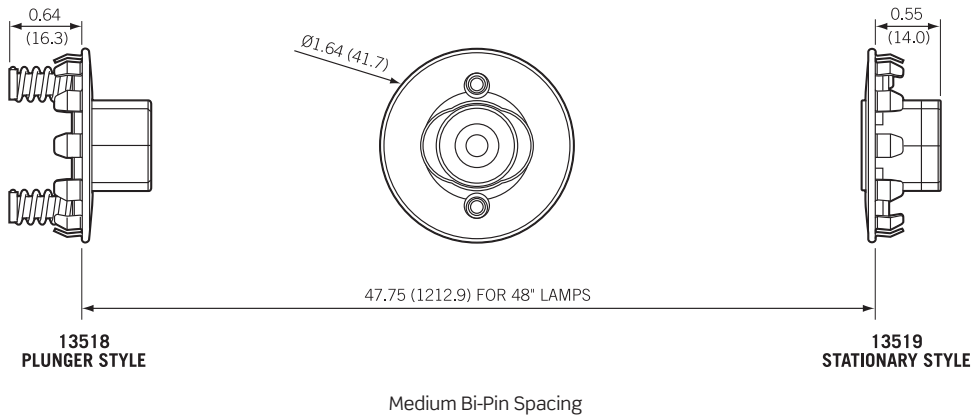
| Description | Rating | Cat. No. Plunger | Cat. No. Fixed |
|--|------------|---------------------|-------------------|
| Slimline‡ | 660W 1000V | 516 | — |
| | 660W 600V | — | 517 |
| Medium Bi-Pin, Stainless Steel | 660W 600V | 13518 | — |
| Coverplate & Clip | 660W 600V | — | 13519 |
| Medium Bi-Pin, Same as above, | 660W 600V | 23518 | — |
| with Internal Shunt for Use with Electronic Ballasts | 660W 600V | — | 23519 |
| High Output 800mA and 1500mA‡ | 660W 600V | 523 | — |
| | 660W 600V | — | 524 |

NOM Certified except where indicated by ‡.

TESTING AND CODE COMPLIANCE

- UL Listed (File #E-5833)
- CSA Certified (File #LR-5863; LR-1863)
- NOM Certified (#057)

DIMENSIONS

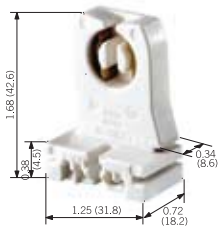


Commercial Grade

Medium Bi-Pin Lamps—Linear Fluorescent Lampholders

Specifications and Features

- Four-position lamp-lock socket rotates 90°, forward and back, for quick relamping
- Lamp-Lock models have slim, low profile silhouette that fits 22 to 25 gauge panels
- Chemical-resistant white thermoplastic body



13351-D

TURN-TYPE

| Description | Rating | Cat. No. |
|---|-----------|----------|
| Low Profile, Slide-On, with Captive Nut | 660W 600V | 13353-N |
| Tall Profile, Slide-On, with Captive Nut | 660W 600V | 13357-N |
| Tall Profile without Side Grooves, Slide-On, with Captive Nut | 660W 600V | 13359-N |
| Low Profile Disconnect, Slide-On | 660W 600V | 13351-D |
| Tall Profile Disconnect, Slide-On | 660W 600V | 13354-D |
| Low-Profile; Shunted, Slide-On | 660W 600V | 23351 |



13357-N

STRAIGHT-IN

| Description | Rating | Cat. No. |
|--|-----------|-----------|
| Low Profile, Slide-On | 660W 600V | 13150-UR5 |
| Self-Locking; Slide-In, with Captive Nut. For use with T-8 Lamps | 660W 600V | 13451-N |

SNAP-IN/SLIDE-ON DESIGN AND LAMP-LOCK



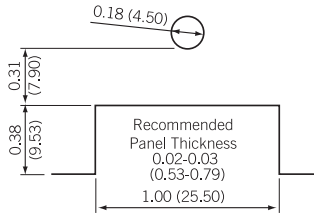
13653-WP

| Description | Rating | Cat. No. |
|--|-----------|-----------|
| Snap-In or Slide-On Mounting Featuring Lamp-Lock, with Panel Locator Post. For T-8 and T-12 Lamps | 660W 600V | 13653-WP |
| Same as Above, Less Locator Post | 660W 600V | 13653-NP |
| Same as 13653-WP, Except with Internal Shunt Connection for Electronic Ballasts | 660W 600V | 23653-WP |
| Same as Above, Less Locator Post | 660W 600V | 23653-NP |
| Snap-In or Slide-On Mounting Featuring Lamp-Lock, Optional Panel Locator Post. Dedicated for Energy-Efficient T-8 Lamps Only | 660W 600V | 13652-WP |
| Same as 13652, Except with Internal Shunt Connection for Electronic Ballasts | 660W 600V | 23652-WP |
| Snap-In or Slide-On Mounting Featuring Lamp-Lock, for Energy-Efficient T-8 Lamps Only. Wide-Wing Design | 600W 600V | 13652-WWP |
| Same as Above, Less Locator Post | 600W 600V | 13652-WNP |
| Same as 13652-WWP, Except with Internal Shunt Connection for Electronic Ballasts | 600W 600V | 23652-WWP |
| Same as Above, Less Locator Post | 600W 600V | 23652-WNP |
| Snap-In or Slide-On Mounting Featuring Lamp-Lock, for T-8 and T-12 Lamps. Wide-Wing Design | 600W 600V | 13653-WWP |
| Same as Above, Less Locator Post | 600W 600V | 13653-WNP |
| Same as 13653-WWP, Except with Internal Shunt Connection for Electronic Ballasts | 600W 600V | 23653-WWP |
| Same as Above, Less Locator Post | 600W 600V | 23653-WNP |

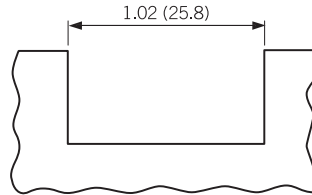
TESTING AND CODE COMPLIANCE

- UL Listed (File #E-5833)
- CSA Certified (File #LR-1863; LR-5863; LR-2200)
- NOM Certified (#057)
- Medium Bi-Pin lamps with Snap-In/Slide-On Design and Lamp-Lock are VDE Certified to IEC

DIMENSIONS

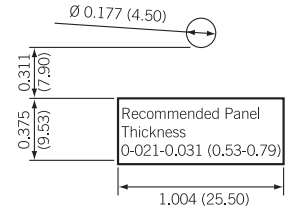


Recommended Panel Opening for all -WP, -NP Medium Bi-Pin Snap-In/Slide-On Lampholders



Recommended Panel Opening for Medium Bi-Pin Turn-Type Lampholders

This is only a recommendation — lampholder will function over a wider range



Recommended Panel Opening for all -WWP, -WNP wide-wing models

Commercial Grade

Medium and Miniature Bi-Pin Lamps—Linear Fluorescent Lampholders

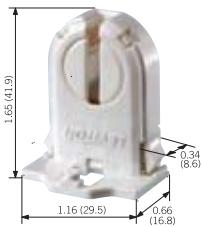
Specifications and Features

Lamp-Lock

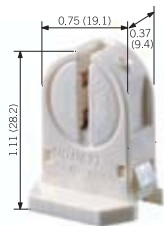
- Four-position lamp-lock socket rotates 90°, forward and back, for quick relamping
- Lamp-Lock models have slim, low profile silhouette that fits 22 to 25 gauge panels
- Chemical-resistant white thermoplastic body

T-8 to T-5 Adapter

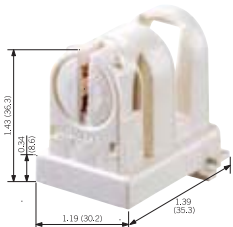
- Cost-effective solution to incorporate miniature bi-pin T-5 lamps into existing T-8 configurations



13661-SWP



13654-SNP



13654-EXL

FOR MEDIUM BI-PIN LAMPS — SLIDE-ON DESIGN AND LAMP-LOCK

| Description | Rating | Cat. No. |
|--|-----------|----------|
| Low Profile 0.64 (16.3mm) Lamp Center Snap-In or Slide-On Mounting Featuring Lamp Lock for T-8 Lamps Only | 660W-600V | 13662 |
| Same as 13662, Except with Internal Shunt Connection for Electronic Ballasts | 660W-600V | 23662 |
| Medium Profile 0.91 (23.0) Lamp Center Snap-In or Slide-On Mounting Featuring Lamp Lock for T-8 and T-12 Lamps | 660W-600V | 13661 |
| Same as 13661, Except with Internal Shunt Connection for Electronic Ballasts | 660W-600V | 23661 |
| Tall Profile 1.18 (30.0) Lamp Center Snap-In or Slide-On Mounting Featuring Lamp Lock for T-8 and T-12 Lamps | 660W-600V | 13660 |
| Same as 13660, Except with Internal Shunt Connection for Electronic Ballasts | 660W-600V | 23660 |

FOR MINIATURE BI-PIN LAMPS — SNAP-IN/SLIDE-ON DESIGN AND LAMP-LOCK

| Description | Rating | Cat. No. |
|---|-----------|-----------|
| Low Profile 0.62 (15.7) Lamp Center Snap-In or Slide-On Mounting Featuring Lamp-Lock, with Panel Locator Post for T-5 Lamps | 120W 600V | 13654-SWP |
| Same as Above, Less Locator Post | 120W 600V | 13654-SNP |
| Tall Profile 0.98 (24.9) Lamp Center, Snap-In or Slide-On Mounting Featuring Lamp-Lock, with Panel Locator Post for T-5 Lamps | 120W 600V | 13654-TWP |
| Same as Above, Less Locator Post | 120W 600V | 13654-TNP |
| Low Profile 0.62 (15.7) Lamp Center Snap-In or Slide-On Mounting Featuring Lamp-Lock, with Panel Locator Post for T-5 Lamps | 120W 600V | 23654-SWP |
| Internal Shunt Connection for Electronic Ballasts | | |
| Same as Above, Less Locator Post | 120W 600V | 23654-SNP |
| Tall Profile 0.98 (24.9) Lamp Center Snap-In or Slide-On Mounting Featuring Lamp-Lock, with Panel Locator Post for T-5 Lamps | 120W 600V | 23654-TWP |
| Internal Shunt Connection for Electronic Ballasts | | |
| Same as above, Less Locator Post | 120W 600V | 23654-TNP |

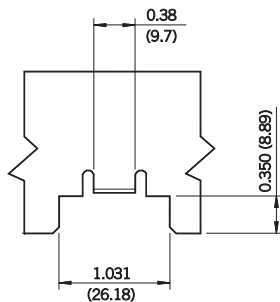
T-8 TO T-5 ADAPTER

| Description | Rating | Cat. No. |
|--|-----------|-----------|
| Long T-8 to T-5 Adapter, converts existing T-8 fixtures to accept energy-efficient T-5 lamps; with Lamp Lock. <i>Specify lamp length for proper ordering</i> | 120W 600V | 13654-EXL |
| Short T-8 to T-5 Adapter, converts existing T-8 fixtures to accept energy-efficient T-5 lamps; with Lamp-Lock. <i>Specify lamp length for proper ordering</i> | 120W-600V | 13654-EXS |

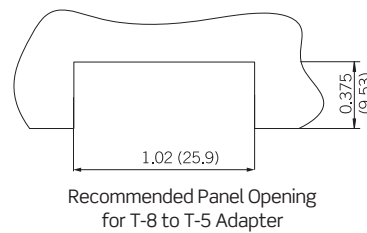
TESTING AND CODE COMPLIANCE

- UL Listed (File #E-5833)
- CSA Certified (File #LR-1863; LR-5863; LR-2200)
- NOM Certified (#057)
- Medium Bi-Pin Lamps with Slide-On Design and Lamp-Lock are VDE Certified to IEC

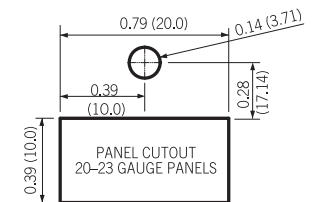
DIMENSIONS



Recommended Panel Opening for Medium Bi-Pin Slide-On Lampholders



Recommended Panel Opening for T-8 to T-5 Adapter



Recommended Panel Opening for Miniature Bi-Pin Snap-In/Slide-On Lampholders

Commercial Grade

Long Twin Tube With 2G11 Base — Compact Fluorescent Lampholders

Specifications and Features

- Vertical Snap-In model allows wires to be routed on either top or bottom of panel
- Two wiring ports per contact speed harness wiring
- Internal Shunt models eliminate need for extra jumper wire in fixtures designed for electronic ballasts
- Low-profile design for smaller, more compact fixtures
- Superior metal-spring lamp retainer clips



13453

4-PIN LONG TWIN-TUBE WITH 2G11 BASE — SLIDE-IN MOUNTING

| Description | Rating | Cat. No. |
|--|-----------|----------|
| Slide-In for 18-20 Ga. Panels, Quickwire Terminals | 660W 600V | 13452 |

4-PIN LONG TWIN-TUBE WITH 2G11 BASE — BOTTOM OR BACK MOUNTING

| Description | Rating | Cat. No. |
|---|-----------|----------|
| Vertical Snap-In Mounting, Side Push-In Wiring | 660W 600V | 13453 |
| Same as above, with Internal Shunt Connection for Electronic Ballasts | 660W 600V | 23453 |
| Horizontal Snap-In Mounting, Bottom Push-In Wiring | 660W 600V | 13454 |
| Same as above, with Internal Shunt Connection for Electronic Ballasts | 660W 600V | 23454 |
| Horizontal Screw-Mount, Bottom Push-In Wiring | 660W 600V | 13455 |
| Same as above, with Internal Shunt Connection for Electronic Ballasts | 660W 600V | 23455 |

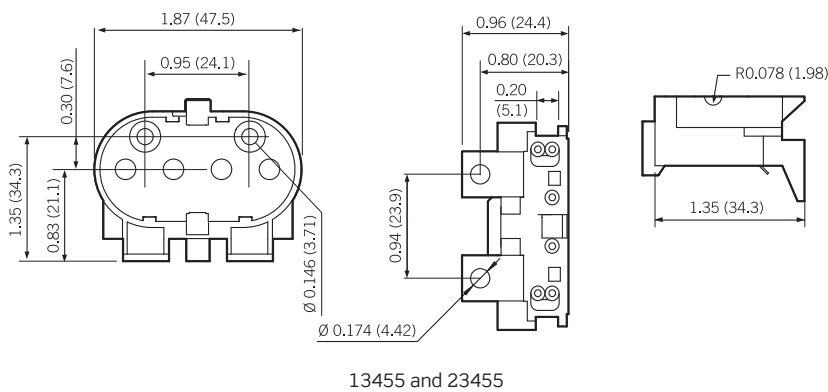
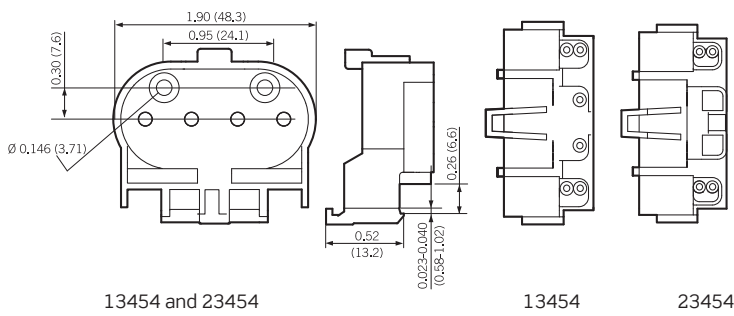
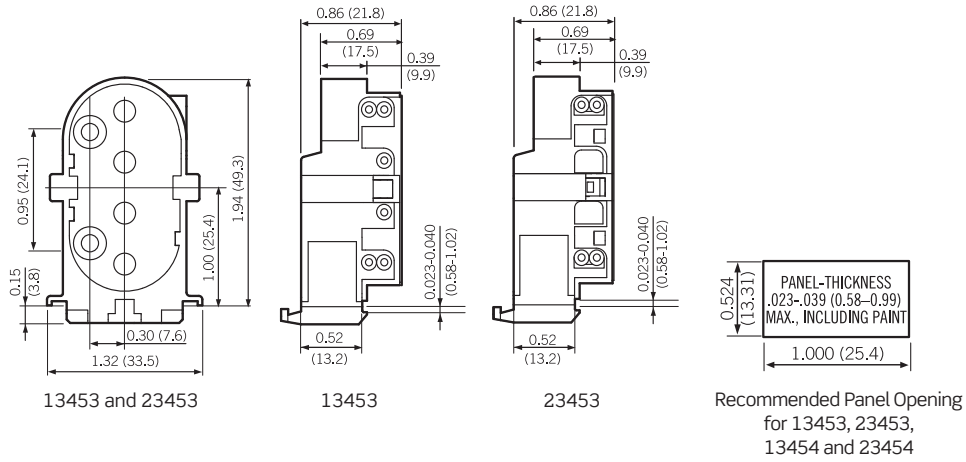


13454

TESTING AND CODE COMPLIANCE

- UL Listed (File #E-5833)
- CSA Certified (File #LR-1863)
- NOM Certified (File #057)

DIMENSIONS



Commercial Grade

Lamp Support Clips for Long Twin Tube 2G11 Base Fluorescent Lampholders

Specifications and Features

- Choice of quality lamp support clips in a variety of configurations for long twin tube lamps with 2G11 base
- UV stable clear polycarbonate clips for vertical or horizontal mounting
- Stainless steel clips with UV stable clear polycarbonate base for horizontal mounting only; short or tall versions
- Plastic clips for slide-on or screw-mount



23452-H



23452-V

PLASTIC AND STAINLESS STEEL LAMP SUPPORT CLIPS

| Description | Cat. No. |
|--|-----------|
| Plastic Lamp Support Clip, Slide-On | 23452-A* |
| Plastic Lamp Support Clip, Screw Mount | 23452-B* |
| Horizontal Snap-In Lamp Support Clip for 13454, 23454, 13455 and 23455. UV-Stable, Clear Polycarbonate | 23452-H* |
| Vertical Snap-In Lamp Support Clip for 13453 and 23453. UV-Stable, Clear Polycarbonate | 23452-V* |
| Stainless Steel Horizontal Lamp Support Clip, Short Version | 23452-MTS |
| Stainless Steel Horizontal Lamp Support Clip, Tall Version | 23452-MTL |

*NOTE: Leviton strongly recommends replacing support clips 23452-A, 23452-B, 23452-V and 23452-H during lamp replacement.

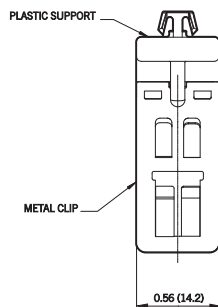
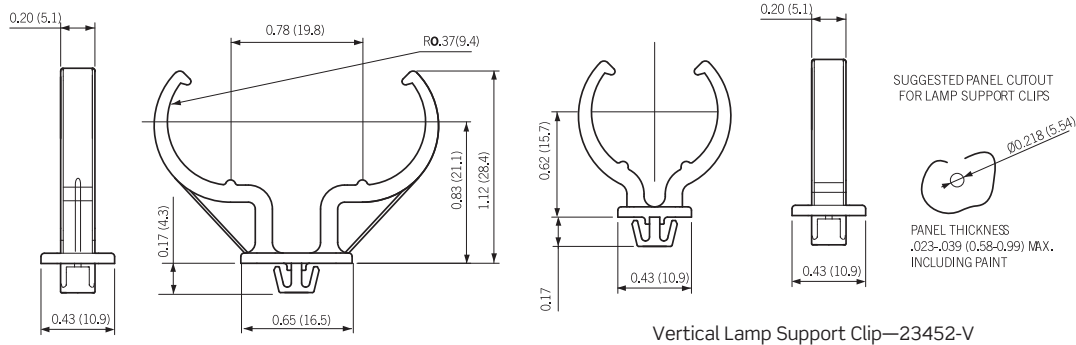
DIMENSIONS



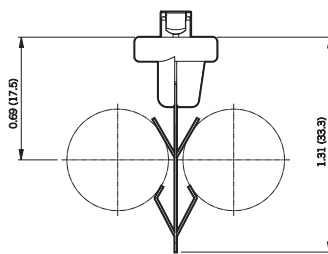
23452-MTS



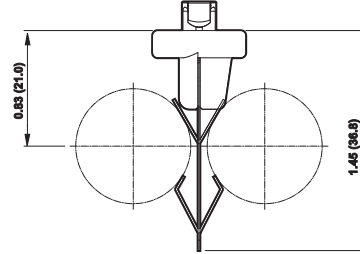
23452-MTL



Horizontal Lamp Support Clips
23452-MTS, 234452-MTL



Horizontal Lamp Support Clip, Short
23452-MTS



Horizontal Lamp Support Clip, Tall
23452-MTL

Compact Fluorescent Lampholders (CFLs)

Specifications and Features

- “Smart” CFL Lampholders are color-coded for easy wattage identification
- Bottom Snap-In versions for easier panel assembly
- Snap-In versions designed for 16 Ga. panels
- Metal-spring lamp-retainer clip provides positive lamp retention and is more durable than plastic clips
- Two wiring ports per contact speed harness wiring
- Four screw holes for greater mounting flexibility
- Wire-routing options for top or bottom side of mounting panel for easier assembly
- White thermoplastic body

10MM COMPACT FLUORESCENT LAMPHOLDERS

For G23 and G23-2 Lamp Bases

| Rating | Color | Cat. No. | Lamp Base | Wattage |
|----------|-------|------------|------------|---------|
| 75W 600V | White | 26719-100 | G23, G23-2 | 5W, 7W |
| 75W 600V | White | 26719-200 | G23, G23-2 | 5W, 7W |
| 75W 600V | White | 26719-300* | G23, G23-2 | 9W |
| 75W 600V | White | 26719-400 | G23, G23-2 | 9W |
| 75W 600V | White | 26719-500 | G23, G23-2 | 9W |

*Not compatible with 13-watt DTT lamps.



26719-100

For GX23 and GX23-2 Lamp Bases

| Rating | Color | Cat. No. | Lamp Base | Wattage |
|----------|---------------|------------|--------------|---------|
| 75W 600V | White | 26719-100 | G23, G23-2 | 5W, 7W |
| | White w/Black | 26720-100 | G23, G23-2 | 13W |
| 75W 600V | White | 26720-200 | GX23, GX23-2 | 13W |
| 75W 600V | White w/Black | 26720-300* | GX23 | 13W |
| 75W 600V | White w/Black | 26720-400 | GX23, GX23-2 | 13W |
| 75W 600V | White w/Black | 26720-500 | GX23, GX23-2 | 13W |

*Not compatible with 13-watt DTT lamps.



26719-200



26720-300



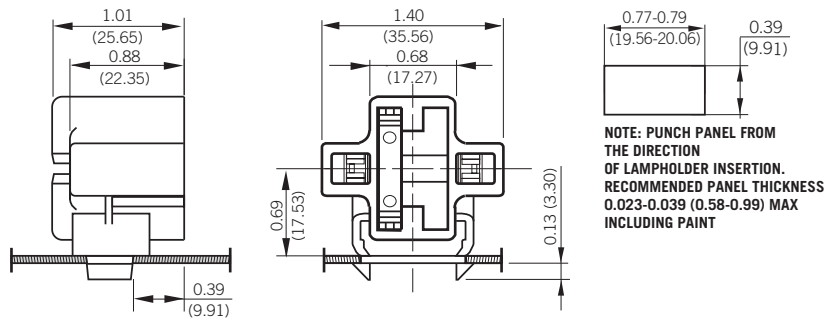
26720-400

TESTING AND CODE COMPLIANCE

- UL Listed (File #E-5833)
- UL Listed for indoor and outdoor applications when properly enclosed
- CSA Certified (File #LR-1863)
- NOM Certified (File #057)

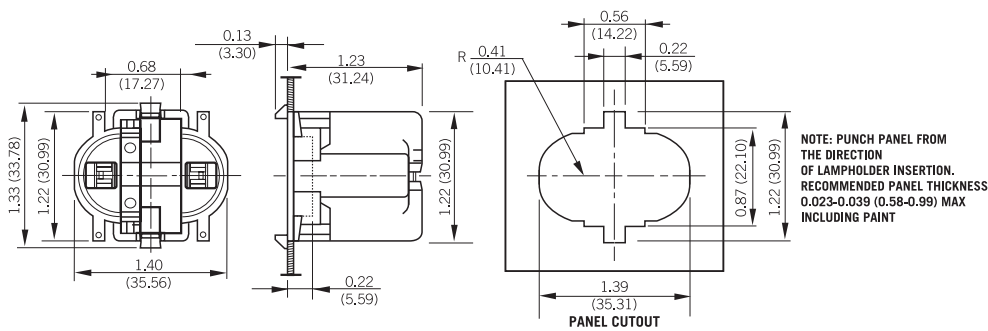
Commercial Grade

DIMENSIONS



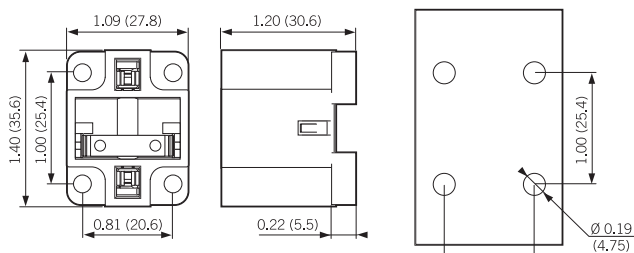
Horizontal Snap-In CFLs
26720-100 Shown

NOTE: PUNCH PANEL FROM THE DIRECTION OF LAMPHOLDER INSERTION. RECOMMENDED PANEL THICKNESS 0.023-0.039 (0.58-0.99) MAX INCLUDING PAINT



Vertical Top Snap-In CFLs
26720-300 Shown

NOTE: PUNCH PANEL FROM THE DIRECTION OF LAMPHOLDER INSERTION. RECOMMENDED PANEL THICKNESS 0.023-0.039 (0.58-0.99) MAX INCLUDING PAINT



NOTE: RECOMMENDED MOUNTING SELF-THREADING #8 SCREW

RECOMMENDED PANEL OPENING

4-Hole Vertical Screw-Down CFLs — 26720-400 Shown

10mm Compact Fluorescent Lampholders (CFLs)

Specifications and Features

- “Smart” CFL Lampholders are color-coded for easy wattage identification
- Bottom snap-in versions for easier panel assembly available for 16 Ga. and 18–20 Ga. panels
- All 4-pin lampholders have internal rejection feature that prevents insertion of 2-pin lamps
- Metal-spring lamp-retainer clip provides positive lamp retention and is more durable than plastic clips
- Two wiring ports per contact speed harness wiring
- Four screw holes for greater mounting flexibility
- Wire-routing options for top or bottom side of mounting panel for easier assembly
- White thermoplastic body

10MM COMPACT FLUORESCENT LAMP HOLDERS

For G24d Lamp Bases 2-Pin

| Rating | Color | Cat. No. | Lamp Base | Wattage |
|----------|---------------|-----------|-----------|----------|
| 75W 600V | White w/Black | 26725-201 | G24d-1 | 10W, 13W |
| 75W 600V | White w/Black | 26725-221 | G24d-1 | 10W, 13W |
| 75W 600V | Green | 26725-202 | G24d-2 | 18-W |
| 75W 600V | Green | 26725-222 | G24d-2 | 18W |
| 75W 600V | Orange | 26725-203 | G24d-3 | 26W |
| 75W 600V | Orange | 26725-223 | G24d-3 | 26W |
| 75W 600V | White w/Black | 26725-211 | G24d-1 | 10W, 13W |
| 75W 600V | Green | 26725-212 | G24d-2 | 18W |
| 75W 600V | Orange | 26725-213 | G24d-3 | 26W |



26725-213

FOR G24Q AND GX24Q LAMP BASES 4-PIN

Suitable for Dimming or Electronic Ballasts

| Rating | Color | Cat. No. | Lamp Base | Wattage |
|----------|---------------|-----------|-----------|---------------|
| 75W 600V | White w/Black | 26725-401 | G24q-1 | 10W, 13W |
| 75W 600V | White w/Black | 26725-421 | G24q-1 | 10W, 13W |
| 75W 600V | Green | 26725-402 | G24q-2 | 18W |
| 75W 600V | Green | 26725-422 | G24q-2 | 18W |
| 75W 600V | Orange | 26725-403 | G24q-3, | 26W, 32W |
| 75W 600V | Orange | 26725-423 | GX24q-3 | 26W, 32W |
| 75W 600V | Yellow | 26725-404 | GX24q-4 | 42W |
| 75W 600V | Yellow | 26725-424 | GX24q-4 | 42W |
| 75W 600V | White | 26725-429 | G24q-3 | 32W, 42W |
| 75W 600V | White | 26725-429 | GX24q-4 | 26W, 32W, 42W |
| 75W 600V | White | 26725-429 | GX24q-4 | 26W, 32W, 42W |



26725-419

Continued On Next Page >

Commercial Grade

Continued From Previous Page >

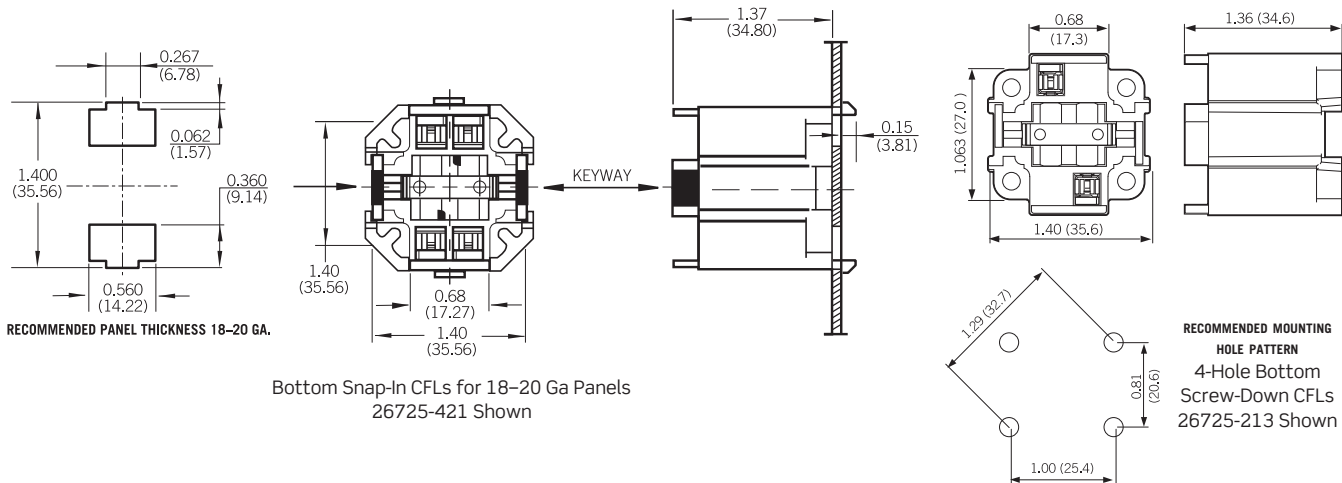
| Rating | Color | Cat. No. | Lamp Base | Wattage |
|----------|---------------|-----------|-----------|----------|
| 75W 600V | White w/Black | 26725-411 | G24q-1 | 10W, 13W |
| 75W 600V | Green | 26725-412 | G24q-2 | 18W |
| 75W 600V | Orange | 26725-413 | G24q-3, | 26W |
| 75W 600V | Orange | 26725-413 | GX24q-3 | 26W, 32W |
| 75W 600V | Yellow | 26725-414 | GX24q-4 | 42W |
| 75W 600V | White | 26725-419 | G24q-3 | 26W |
| 75W 600V | White | 26725-419 | GX24q-4 | 32W, 42W |

NOTE: Lamp names are trademarked by manufacturers.

TESTING AND CODE COMPLIANCE

- UL Listed (File #E-5833)
- UL Listed for indoor and outdoor applications when properly enclosed
- CSA Certified (File #LR-1863)
- NOM Certified (File #057)

DIMENSIONS



“Smart” CFL Lampholders

Specifications and Features

- “Smart” CFL Lampholders are color-coded for easy wattage identification
- Bottom Snap-in versions for easier panel assembly available for 16 Ga. and 18-20 Ga. panels
- All 4-pin lampholders have internal rejection feature that prevents insertion of 2-pin lamps
- Metal-spring lamp-retainer clip provides positive lamp retention and is more durable than plastic clips
- Two wiring ports per contact speed harness wiring
- Wire-routing options for top or bottom side of mounting panel for easier assembly
- Bodies are white thermoplastic (with color-coding as indicated)
- Quick-connect push-in wiring terminals accept No. 18 AWG solid or twisted-and-overtinned leads, stripped $\frac{3}{8}$ inch

10MM COMPACT FLUORESCENT LAMPHOLDERS WITH ROUND BODIES

For G24d Lamp Bases, 2-Pin

| Rating | Color | Cat. No. | Lamp Base | Wattage |
|----------|--------|-----------|-----------|---------|
| 75W 600V | Black | 26725-2A1 | G24d-1 | 10W/13W |
| 75W 600V | Green | 26725-2A2 | G24d-2 | 18W |
| 75W 600V | Orange | 26725-2A3 | G24d-3 | 26W |



26725-4A2

For G24q and GX24q Lamp Bases, 4-Pin - Bottom Screw Down Mounting

| Rating | Color | Cat. No. | Lamp Base | Wattage |
|----------|-----------|------------|-------------------|-------------|
| 75W 600V | Black | 26725-4A1 | G24q-1 | 10W/13W |
| 75W 600V | Green | 26725-4A2 | G24q-2 GX24q-2 | 18W |
| 75W 600V | Orange | 26725-4A3 | G24q-3 GX24q-3 | 26W |
| 75W 600V | Yellow | 26725-4A4 | G24q-4 | 26W/32W |
| 75W 600V | Blue | 26725-4A5 | G24q-5 | 42W |
| 75W 600V | Red | 26725-4A6 | G24q-6 | 42W |
| 75W 600V | White | 26725-4A9 | G24q-3 | 26W/32W/42W |
| | Body Only | Universal* | GX24q-4 | |



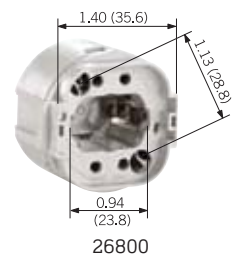
26725-4A3



26725-406

Twist-in Socket For G24q and GX24q Lamp Bases, 4-Pin

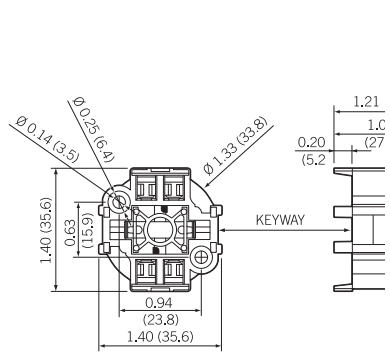
| Rating | Color | Cat. No. | Lamp Base | Wattage |
|------------|---------------------------|-------------------------|--------------------|-----------------|
| 120W, 600V | White Body with Black | 26800-4A1 | G24q-1 GX24q-1 | 13W |
| 120W, 600V | White Body with Green | 26800-4A2 | G24q-2 GX24q-2 | 18W |
| 120W, 600V | White Body only | 26800-4A9 Universal* | G24q-3 GX24q-4 | 26W / 32W / 42W |
| 120W, 600V | White Body with Purple | 26800-4A8 Universal | GX24q-5 GX24q-6 | 57W / 70W |



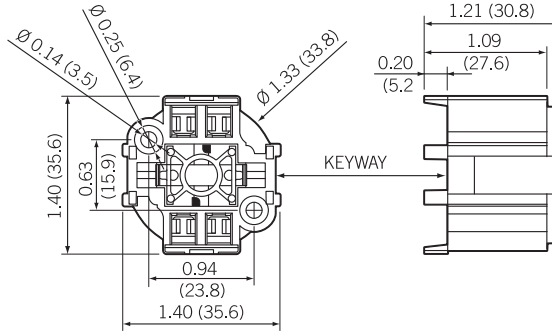
26800

Commercial Grade

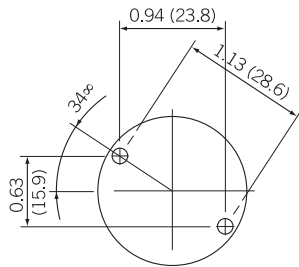
DIMENSIONS



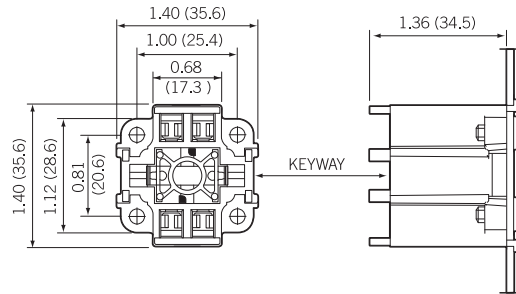
26725-4A5



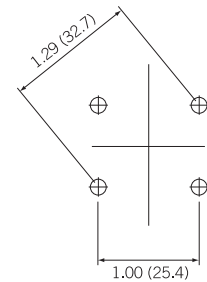
All Round-Body CFLs
26725-4A5 Shown



RECOMMENDED PANEL OPENING FOR ALL ROUND-BODY CFLs

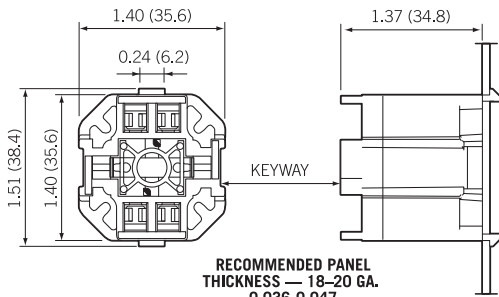


RECOMMENDED MOUNTING SCREW #8 SELF-CUTTING



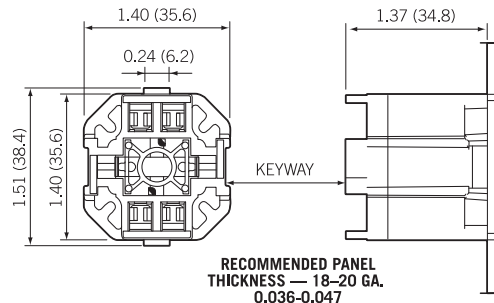
RECOMMENDED HOLE PATTERN

4-Hole Bottom Screw-Down CFLs
26725-415 Shown



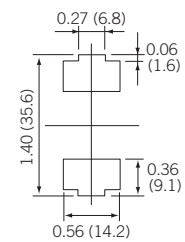
RECOMMENDED PANEL THICKNESS — 18-20 GA.
0.036-0.047

26725-426



RECOMMENDED PANEL THICKNESS — 18-20 GA.
0.036-0.047

Bottom Snap-In CFLs for 18-20 Ga Panels
26725-426 Shown



RECOMMENDED PANEL OPENING

GU-24 Series Lampholders

Leviton's new GU-24 Series bi-pin twist-lock lampholders provide new alternatives for high-efficacy lighting in residential and commercial applications. By creating a single, universal configuration, they provide a simple solution that can accommodate integrated-ballast compact fluorescent lamps in multiple wattages for both residential and commercial applications. And, most importantly, the GU-24 base lamps can be used in luminaires intended to comply with a host of recognized energy efficiency standards and regulatory mandates, such as ENERGY STAR and California Title 24.

Specifications and Features

- Designed for integrated-ballast compact fluorescent lamps with GU-24 base
 - Three different mounting configurations designed to match common medium base
 - Screwshell lampholder mounting styles - bracket mount, collar mount and panel mount
- Accommodates most standard mounting configurations - panel, collar and bracket — for medium-base screwshell lampholders
- Accommodates standard wattages of GU-24 size lamps
- Helps satisfy ENERGY STAR and California Title 24 energy efficiency standards
- Rated 250V, 120W
- Thermoplastic body material is PC; UL flammability rating is 94V-2

For GU-24 Lamp Bases, 2-Pin

| Description | Rating: | Cat. No. | Mounting Information |
|-------------------------------------|-----------|----------|---|
| Bracket Mount GU-24 Base Lampholder | 120W-250V | 26730 | 1/8-27 IPS Thread Bracket with Inside Extrusion |
| Collar Mount GU-24 Base Lampholder | 120W-250V | 26735 | 1/8-27 IPS Thread Collar with Set Screw |
| Panel Mount GU-24 Base Lampholder | 120W-250V | 26740 | Eyelets Accept No. 4 & 5 Mounting Screws |



26730



26735



26740

TESTING AND CODE COMPLIANCE

- UL Listed (File #E-5833)
- UL Listed for indoor and outdoor applications when properly enclosed
- CSA Certified (File #LR-1863)
- NOM Certified (#057)

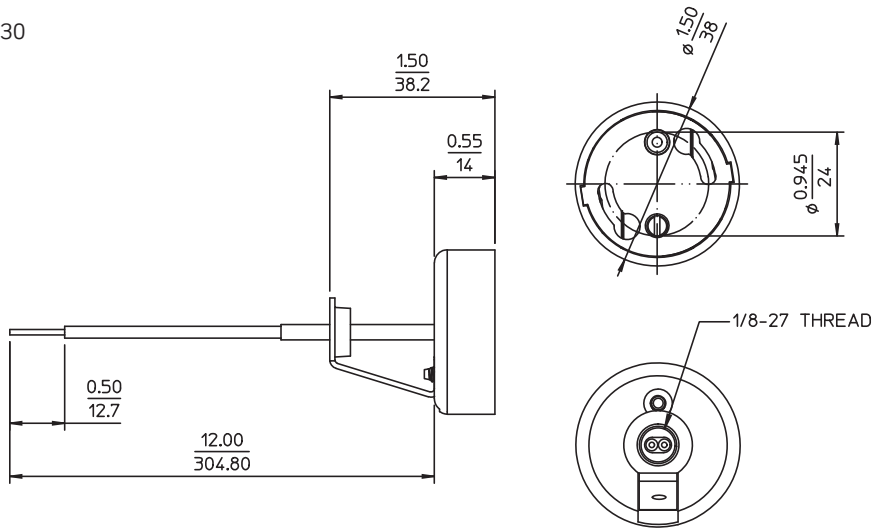
NOTE: ENERGY STAR is a joint program of the U.S. Environmental Protection Agency and the U.S. Department of Energy. It helps consumers save money and protect the environment through energy efficient products and practices.

The Energy Efficiency Standards for Residential and Nonresidential Buildings (referred to as Title 24) were established in 1978 in response to a legislative mandate to reduce California's energy consumption. The standards are updated periodically to allow consideration and possible incorporation of new energy efficiency technologies and methods.

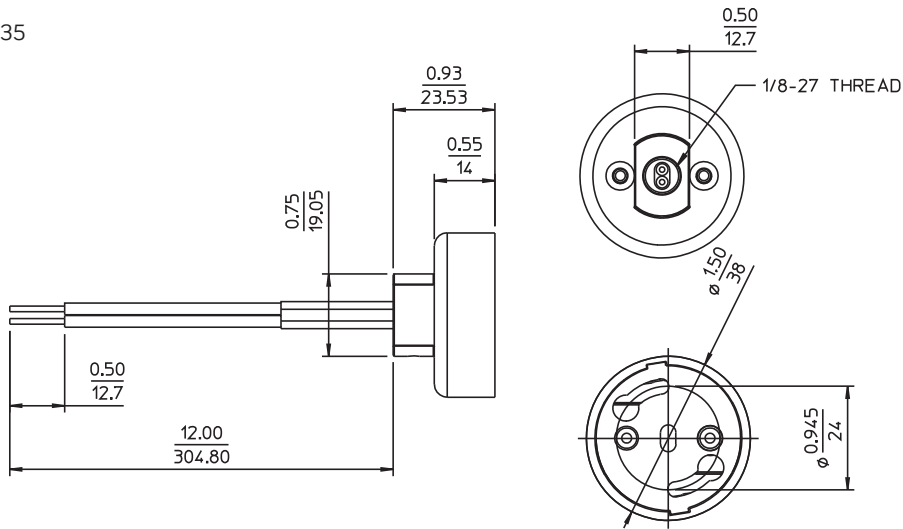
Commercial Grade

DIMENSIONS

26730



26735



26740

