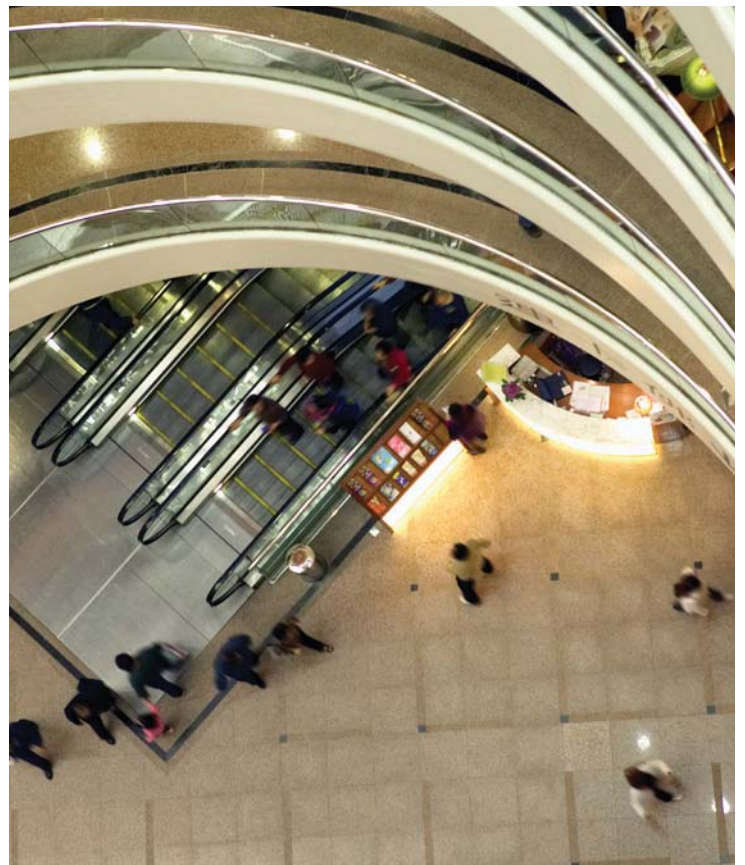
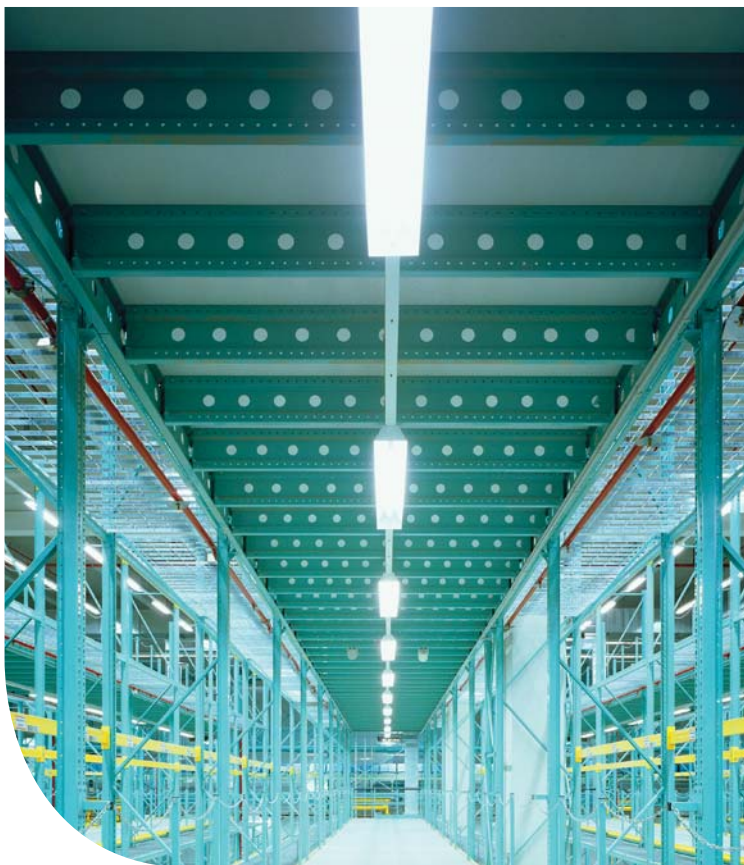
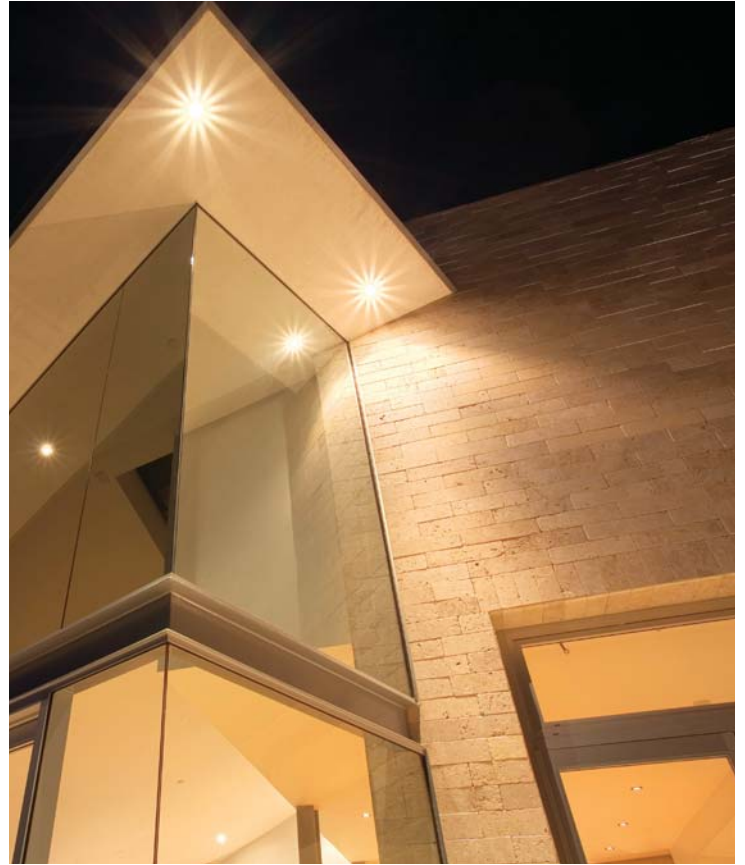
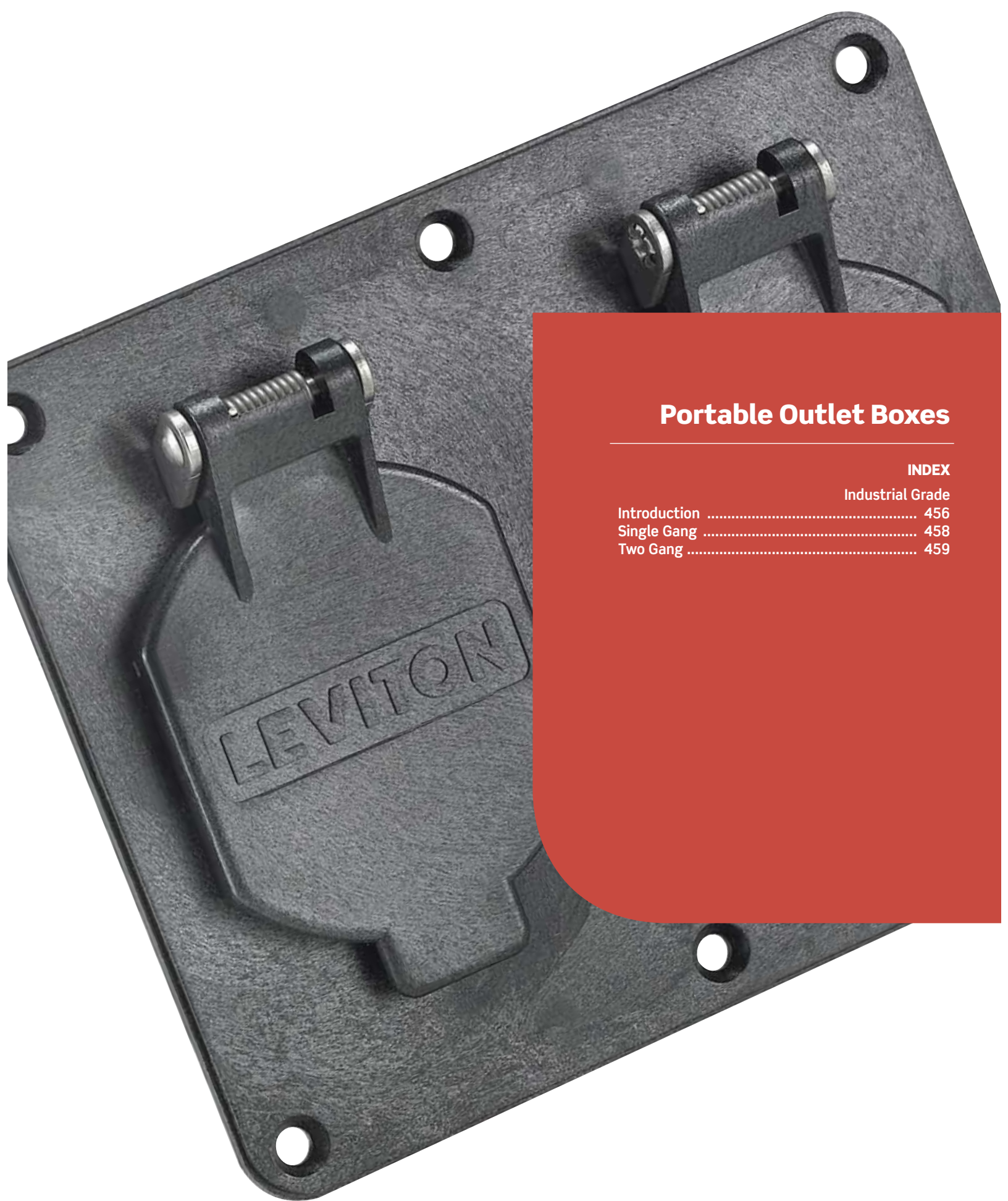


Smart Products. Ingenious Solutions.

Wiring Devices, Energy Management
Solutions and Commercial Data
Infrastructure Products

L-200





Portable Outlet Boxes

INDEX

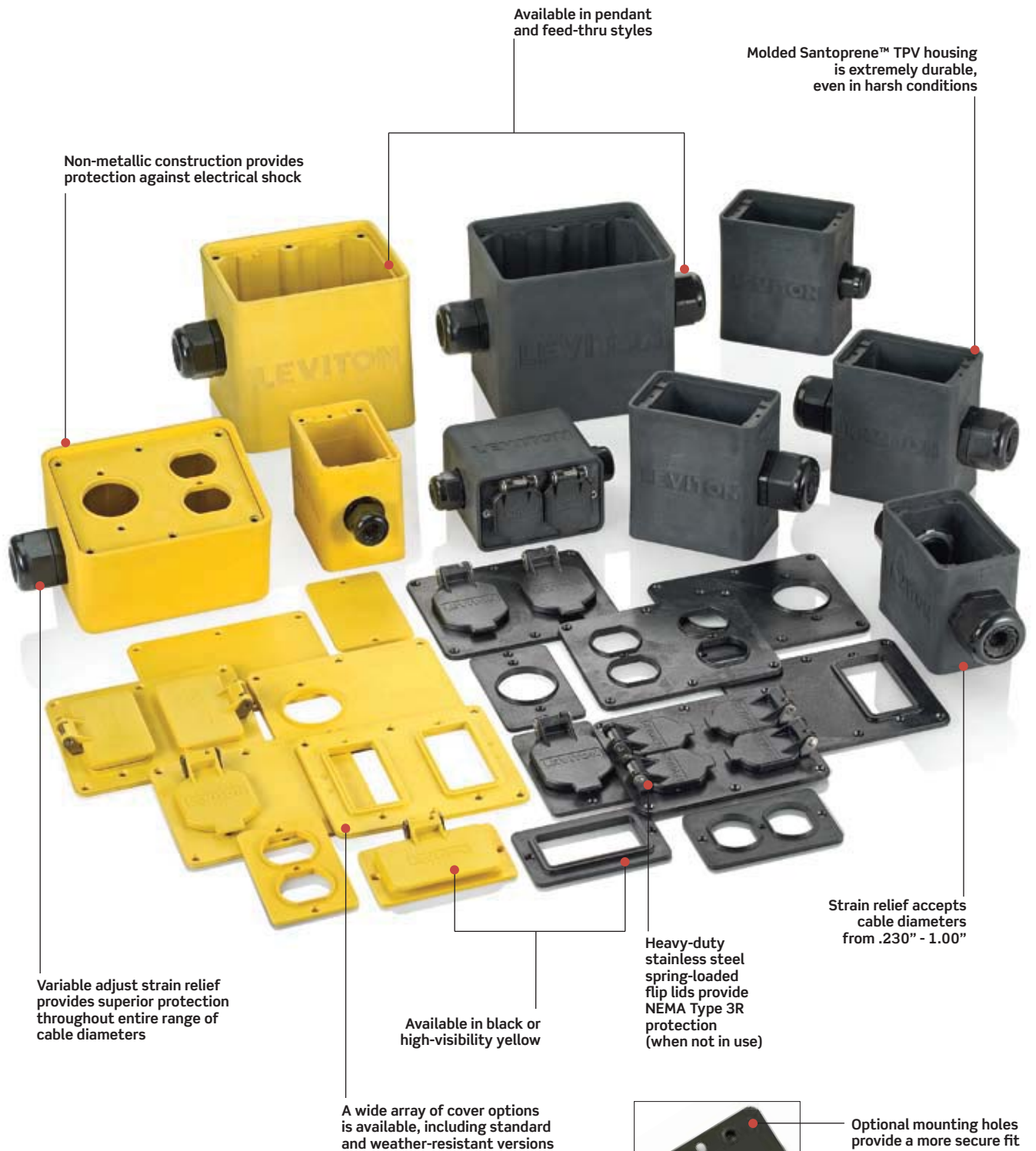
	Industrial Grade
Introduction	456
Single Gang	458
Two Gang	459

Industrial Grade

Portable Outlet Boxes

Leviton's line of temporary power solutions now includes industrial grade portable outlet boxes. For applications ranging from industrial and processing plants to construction and maintenance to entertainment and theater, these durable boxes will help to deliver the power you need, where you need it. Constructed of high-performance TPV, these boxes maintain their integrity in most any temperature, are extremely resistant to harsh chemicals and exhibit excellent strength and resistance to fatigue. They are available in single and two-gang sizes, both feed-thru and pendant style. Plus, you can choose either high-visibility yellow (for most industrial and commercial applications) or black (for entertainment applications).





Available in pendant and feed-thru styles

Molded Santoprene™ TPV housing is extremely durable, even in harsh conditions

Non-metallic construction provides protection against electrical shock

Variable adjust strain relief provides superior protection throughout entire range of cable diameters

Available in black or high-visibility yellow

A wide array of cover options is available, including standard and weather-resistant versions

Heavy-duty stainless steel spring-loaded flip lids provide NEMA Type 3R protection (when not in use)

Strain relief accepts cable diameters from .230" - 1.00"

Optional mounting holes provide a more secure fit

Santoprene™ is a registered trademark of Exxon Mobile Corporation.

Industrial Grade



3059-1E



3059F-1E



3059F-2E



3099F-1E



3099F-2E

PORTABLE OUTLET BOXES — SINGLE GANG

Description	Cable Diameter	Cat. No.		Dimensions		
		Black	Yellow	A	B	C
Standard Depth, Pendant Style**	0.230" - 0.546"	3059-01E	3059-01Y	3.375"	3.900"	2.250"
Standard Depth, Feed-Thru Style**	0.230" - 0.546"	3059F-01E	3059F-01Y	3.375"	3.900"	2.250"
Standard Depth, Pendant Style**	0.590" - 1.000"	3059-02E	3059-02Y	3.375"	3.900"	2.250"
Standard Depth, Feed-Thru Style**	0.590" - 1.000"	3059F-02E	3059F-02Y	3.375"	3.900"	2.250"
Extra Deep, Pendant Style	0.230" - 0.546"	3099-01E	3099-01Y	4.375"	3.900"	2.250"
Extra Deep, Feed-Thru Style	0.230" - 0.546"	3099F-01E	3099F-01Y	4.375"	3.900"	2.250"
Extra Deep, Pendant Style	0.590" - 1.000"	3099-02E	3099-02Y	4.375"	3.900"	2.250"
Extra Deep, Feed-Thru Style	0.590" - 1.000"	3099F-02E	3099F-01Y	4.375"	3.900"	2.250"

**GFCI devices not compatible (must use extra deep version).



3054-E



3051-E



3056-E



3060-E



3061-E



3052-E



3057-E



3055-E



3058-E

COVERPLATES— SINGLE GANG

Description	Cat. No.	
	Black	Yellow
Blank	3054-E	3054-Y
Duplex	3051-E	3051-Y
Duplex with weather-resistant flip lid*	3056-E	3056-Y
GFCI	3060-E	3060-Y
GFCI with weather-resistant flip lid**	3061-E	3061-Y
1.39" diameter	3052-E	3052-Y
1.39" diameter with weather-resistant flip lid*	3057-E	3057-Y
1.56" diameter	3055-E	3055-Y
1.56" diameter with weather-resistant flip lid*	3058-E	3058-Y

**NEMA Type 3R Rated.

*Tamper Resistant GFCI Devices not compatible.



3200-02Y



3300-02Y

OUTLET BOXES — 2-GANG

Description	Cable Diameter	Cat. No.	Cat. No.	Dimensions			
		Black	Yellow	A	B	C	D
Standard Depth, Pendant Style	0.590" - 1.000"	3200-02E	3200-02Y	5.100"	5.655"	4.655"	—
Standard Depth, Feed-Thru Style	0.590" - 1.000"	3200F-02E	3200F-02Y	5.100"	5.655"	4.655"	—
Angled Depth, Pendant Style	0.590" - 1.000"	3300-02E	3300-02Y	4.300"	5.655"	4.655"	3.200"



3265-Y



3260-Y



3260W-Y



3251-Y



3251W-Y



3241-Y



3241W-Y



3262-Y



3262W-Y



3261-Y



3261W-Y



3263-Y



3263W-Y

COVERPLATES - ORDERING INFORMATION

Description	Cat. No.	Cat. No.
	Black	Yellow
Blank	3265-E	3265-Y
2 - Duplex	3260-E	3260-Y
2 - Duplex with weather-resistant flip lid*	3260W-E	3260W-Y
2 - GFCI	3251-E	3251-Y
2 - GFCI with weather-resistant flip lid**	3251W-E	3251W-Y
1 - GFCI, 1-Blank	3241-E	3241-Y
1 - GFCI with weather-resistant flip lid, 1 - Blank**	3241W-E	3241W-Y
1 - 1.56" dia, 1 - Duplex	3262-E	3262-Y
1 - 1.56" dia with weather-resistant flip lid*,	3262W-E	3262W-Y
1 - Duplex with weather-resistant flip lid*		
1.56" dia, 1 - Blank	3261-E	3261-Y
1.56" dia with weather-resistant flip lid, 1 - Blank*	3261W-E	3261W-Y
2 - 1.56" dia	3263-E	3263-Y
2 - 1.56" dia with weather-resistant flip lid*	3263W-E	3263W-Y

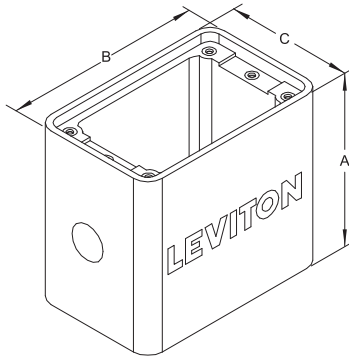
*NEMA Type 3R Rated.

**Tamper Resistant GFCI Devices may not be compatible — consult factory for details.

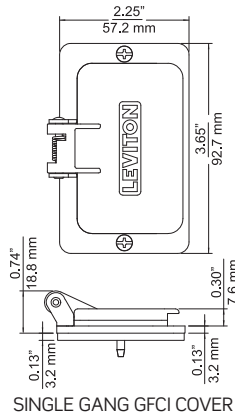
Industrial Grade

DIMENSIONS

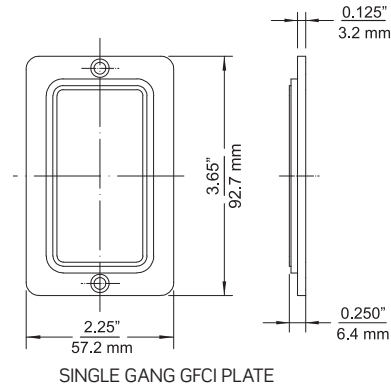
Single Gang



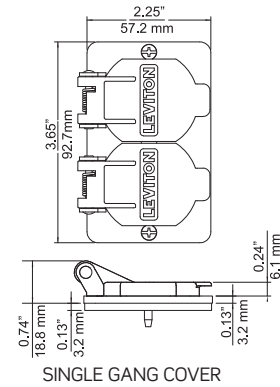
SINGLE GANG BOX



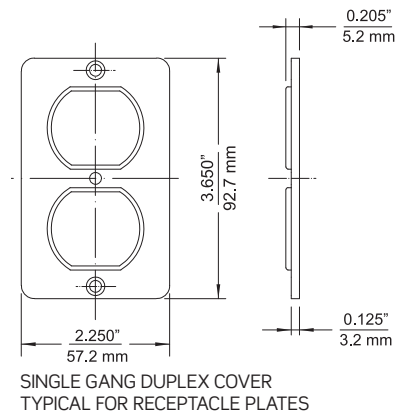
SINGLE GANG GFCI COVER



SINGLE GANG GFCI PLATE

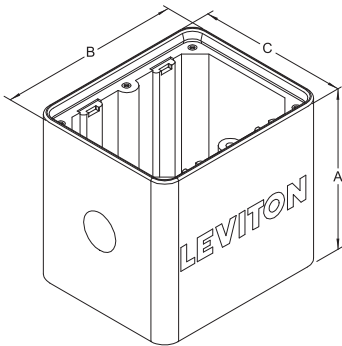


SINGLE GANG COVER

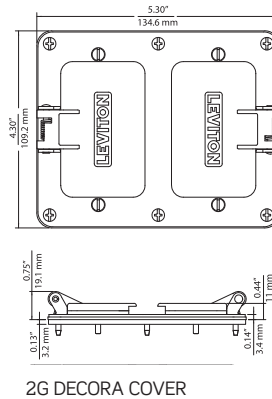


SINGLE GANG DUPLEX COVER
TYPICAL FOR RECEPTACLE PLATES

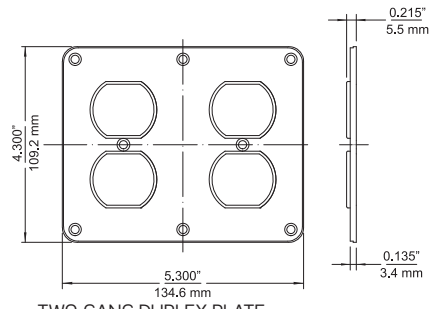
Two Gang



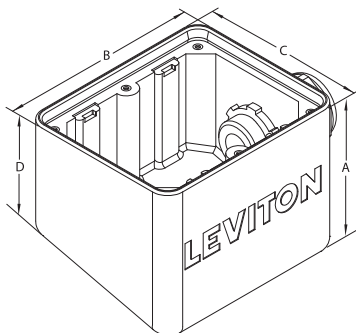
TWO GANG COVER



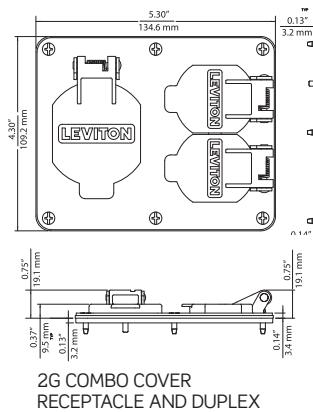
2G DECORA COVER



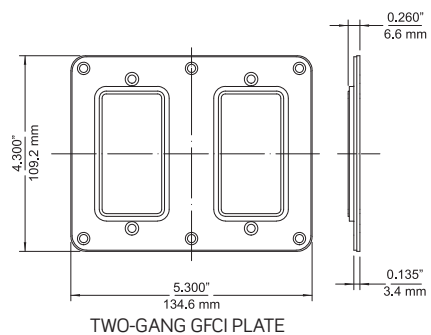
TWO-GANG DUPLEX PLATE
TYPICAL FOR RECEPTACLE PLATES



ANGLE BOX



2G COMBO COVER
RECEPTACLE AND DUPLEX



TWO-GANG GFCI PLATE