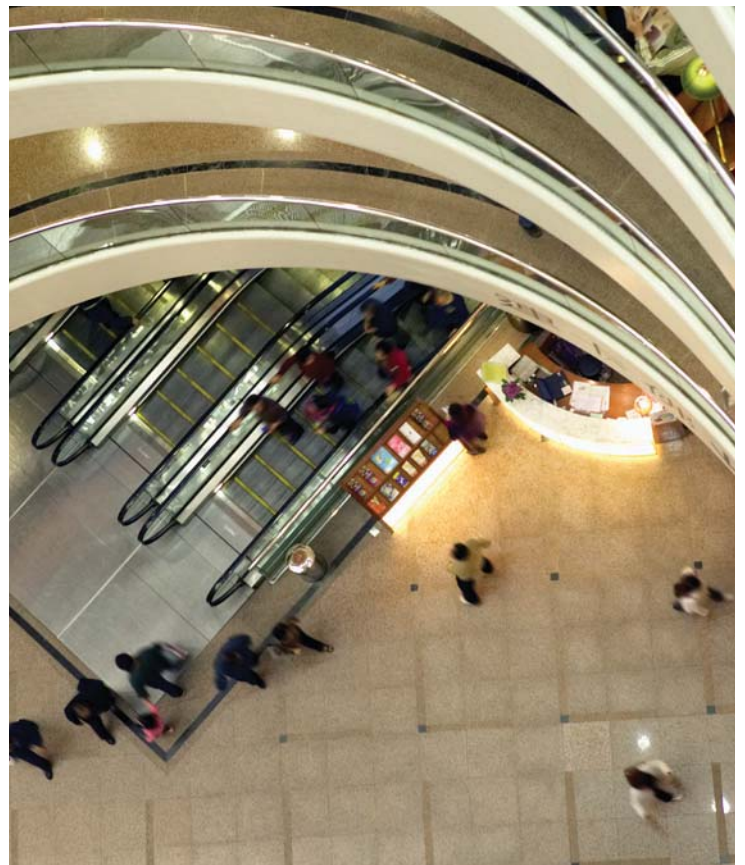
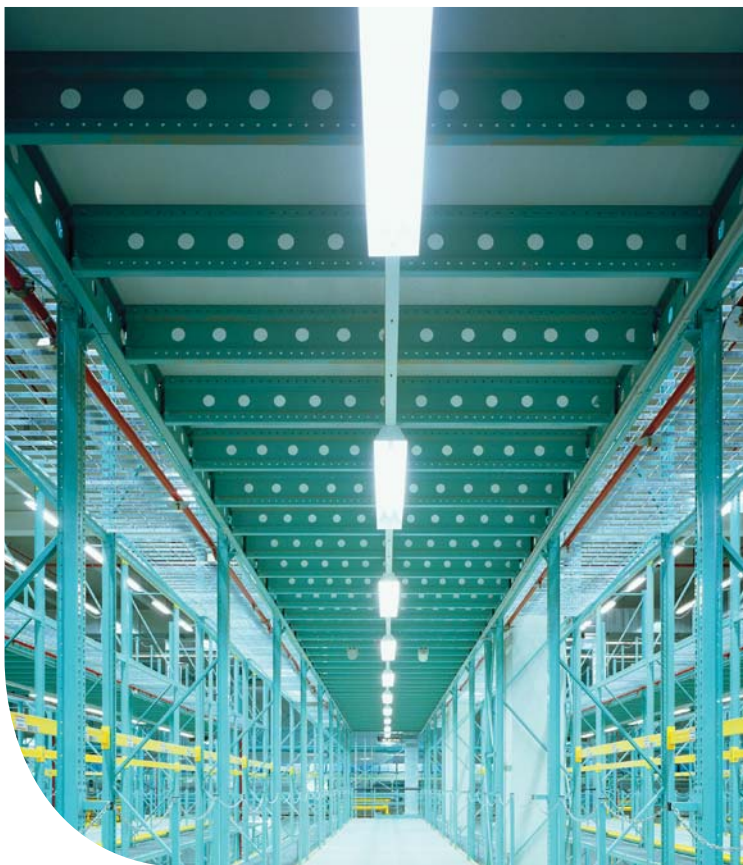
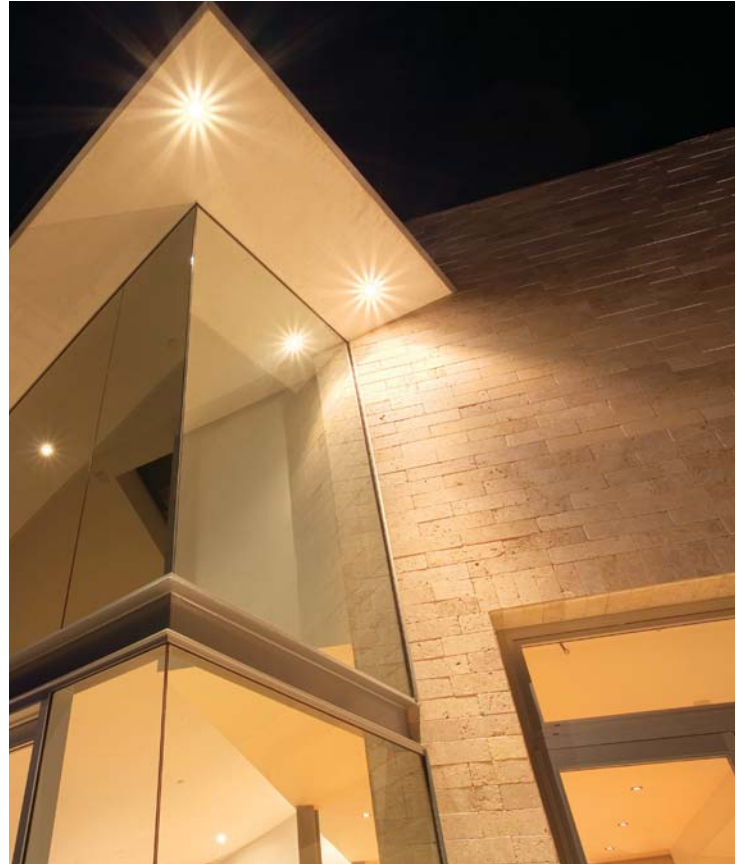


# Smart Products. Ingenious Solutions.

Wiring Devices, Energy Management  
Solutions and Commercial Data  
Infrastructure Products

L-200





## Stage Pin Devices

### INDEX

#### Commercial Grade

Introduction .....	520
20, 60, and 100 Amp .....	521

## Commercial Grade

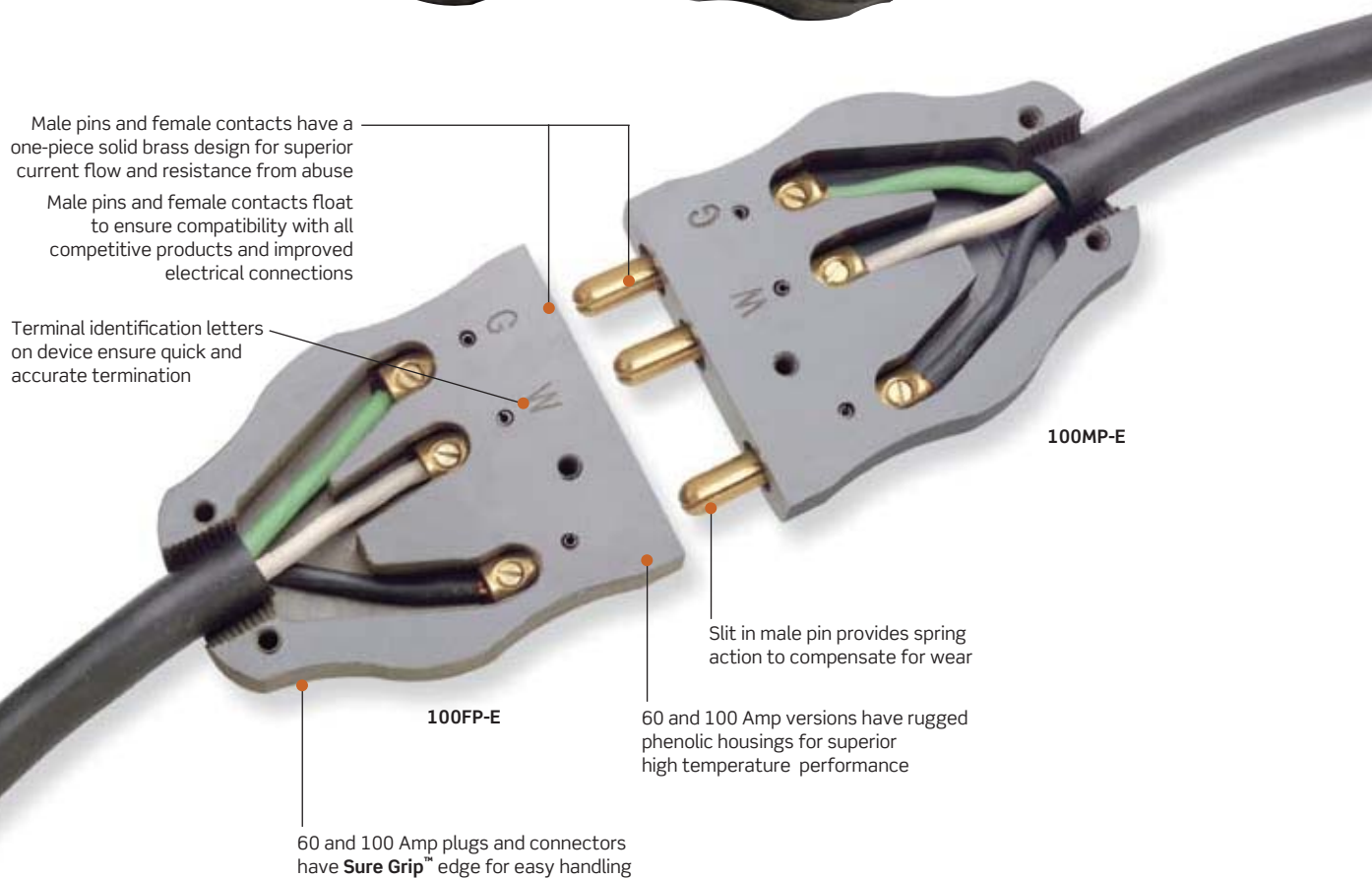
Stage Pin Devices — Conforms to USITT (United States Institute for Theater Technology) S3 Standard for Stage Pin Connectors



Male pins and female contacts have a one-piece solid brass design for superior current flow and resistance from abuse

Male pins and female contacts float to ensure compatibility with all competitive products and improved electrical connections

Terminal identification letters on device ensure quick and accurate termination



60 and 100 Amp plugs and connectors have **Sure Grip™** edge for easy handling

60 and 100 Amp versions have rugged phenolic housings for superior high temperature performance

Slit in male pin provides spring action to compensate for wear

20MP-CL



20 Amp version is available with a clear cover to allow for visual inspection of proper termination of conductors. Other colors available. Consult factory for availability.



Male Plug, Crimp Terminal

### 20, 60 AND 100 AMP 125V STAGE PIN DEVICES 20A 125V, 2-P 3-W, Grounding

Description	Color	Cat. No.
Male Plug-Screw Terminal	Black	20MP-E
Male Plug-Screw Terminal	Black w/ Clear Cover	20MP-CL
Male Plug-Crimp Terminal	Black	20MC-E
Male Plug-Crimp Terminal	Black w/ Clear Cover	20MC-CL
Female Connector-Screw Terminal	Black	20FP-E
Female Connector-Screw Terminal	Black w/ Clear Cover	20FP-CL
Female Connector-Crimp Terminal	Black	20FC-E
Female Connector-Crimp Terminal	Black w/ Clear Cover	20FC-CL
Panel Mount Male Inlet-Set Screw Terminal, Snap-In Mounting	Black	20IS-E
Panel Mount Female Receptacle-Screw Terminal, Snap-In Mounting	Black	20RS-E



20MP-CL



20FP-CL



60MP-E



60FP-E



100MP-E



100FP-E

### 60A 125V, 2-P 3-W, Grounding

Description	Color*	Cat. No.
Male Plug-Set Screw Terminal	Black	60MP-E
Panel Mount Female Receptacle-Set Screw Terminal, Snap-In Mounting	Black	60RS-E
Panel Mount Female Receptacle-Set Screw Terminal, Bolt-On Mounting	Black	60RB-01E
Panel Mount Male Inlet-Set Screw Terminal, Snap-In Mounting	Black	60IS-E
Panel Mount Male Inlet-Set Screw Terminal, Bolt-On Mounting	Black	60IB-01E

### 100A 125V, 2-P 3-W, Grounding

Description	Color	Cat. No.
Male Plug-Set Screw Terminal	Black	100MP-E
Panel Mount Female Receptacle-Set Screw Terminal, Bolt-On Mounting	Black	100RB-01E
Panel Mount Male Inlet-Set Screw Terminal, Bolt-On Mounting	Black	100IB-01E

\*For 20 Amp male plugs and female connectors, other cover colors are available. Consult factory for availability.



Male Panel Mount, Bolt-On



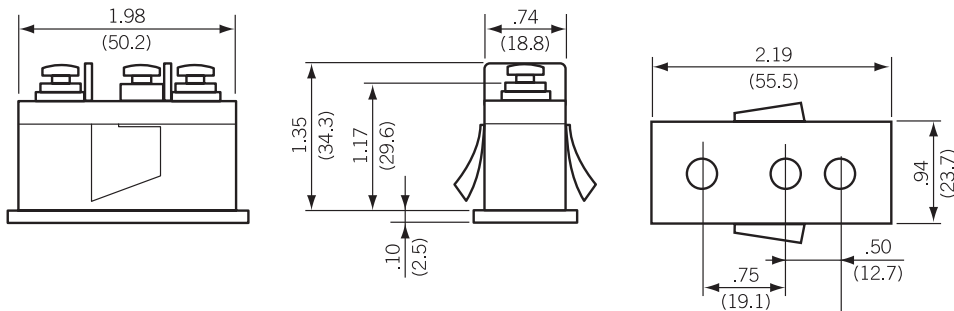
Female Panel Mount, Snap-In

## Commercial Grade

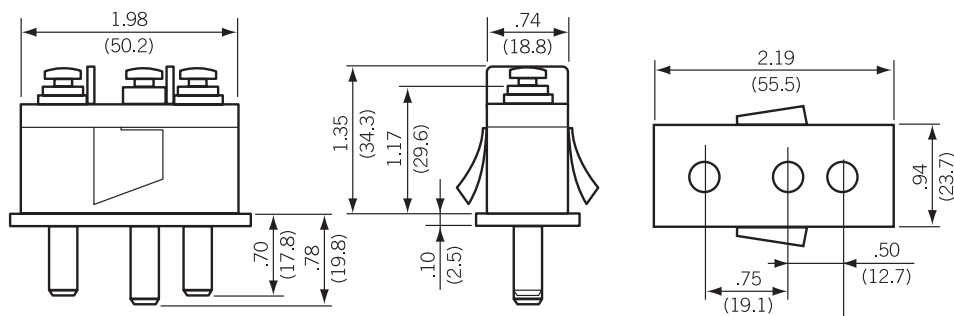
### DIMENSIONS

#### STAGE PIN PANEL MOUNT—20 AMP

##### 20A Female Receptacle, Snap-In

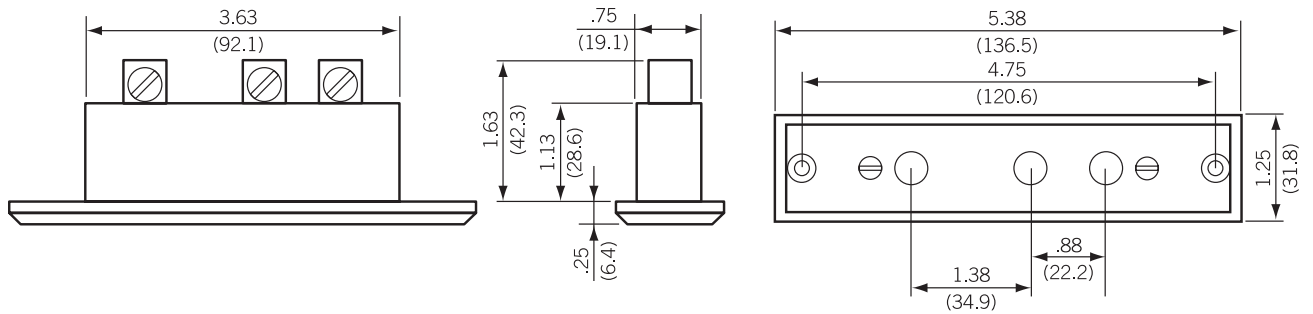


##### 20A Male Inlet, Snap-In

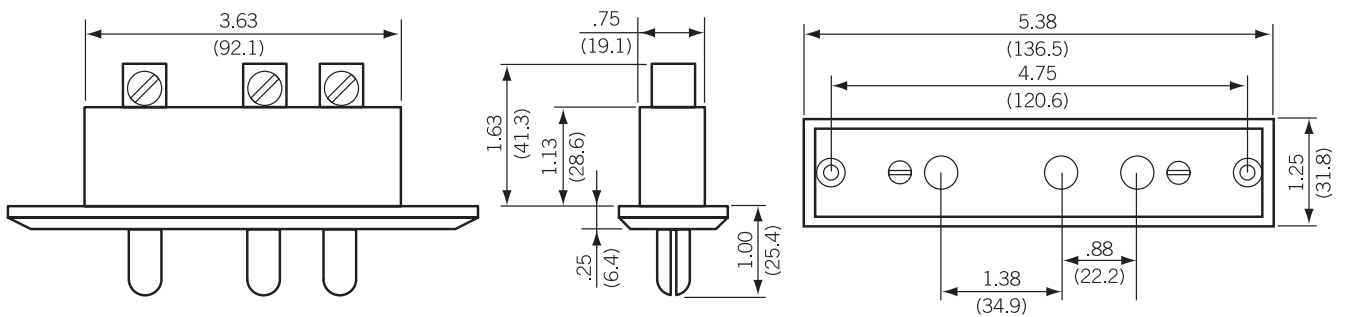


**STAGE PIN PANEL MOUNT—60 AMP**

**60A Female Receptacle, Bolt-On**

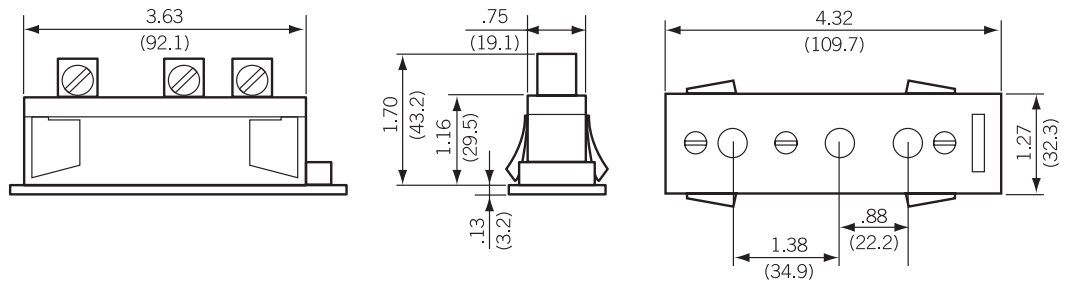


**60A Male Inlet, Bolt-On**

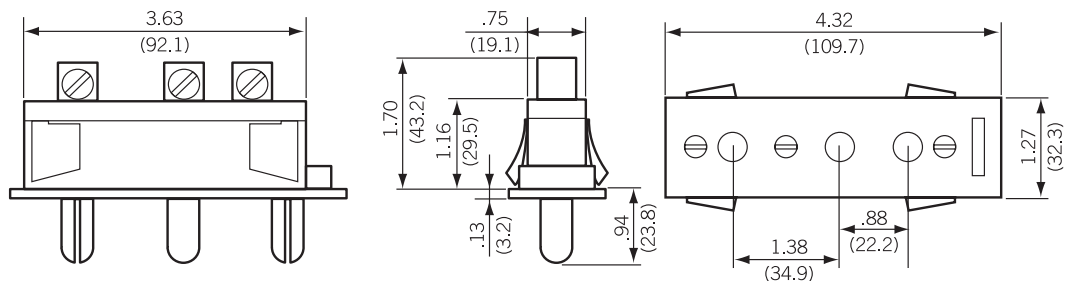


**STAGE PIN PANEL MOUNT—60 AMP**

**60A Female Panel Receptacle, Snap-In**

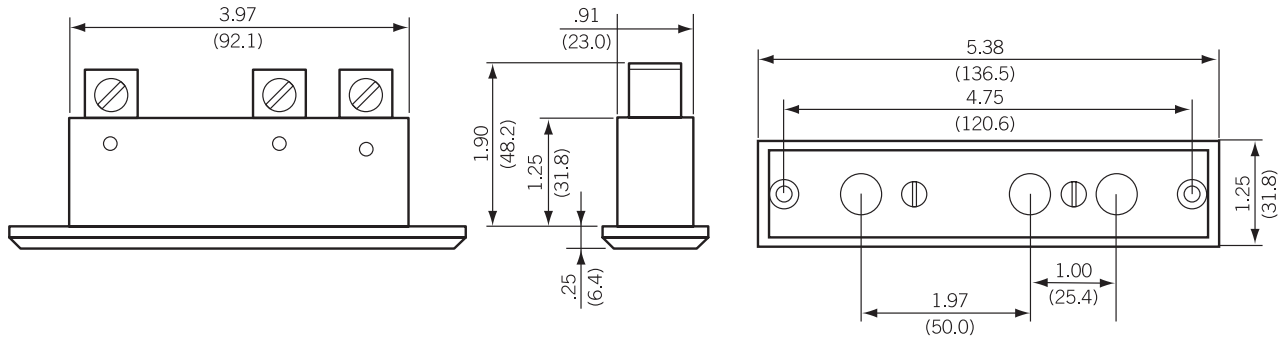


**60A Male Panel Receptacle, Snap-In**



## STAGE PIN PANEL MOUNT—100 AMP

### 100A Female Receptacle, Bolt-On



### 100A Male Inlet, Bolt-On

