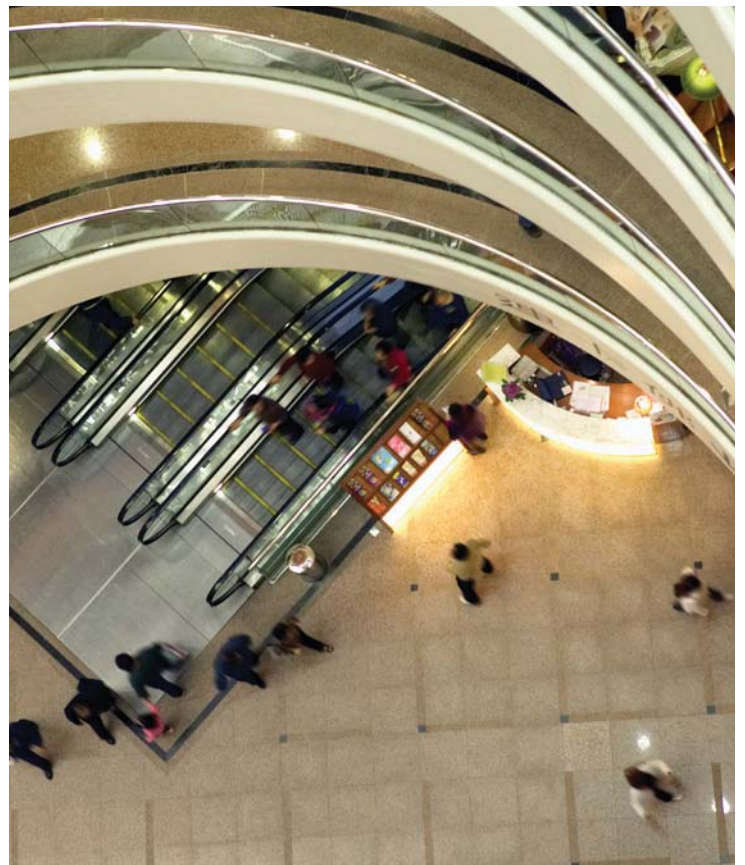
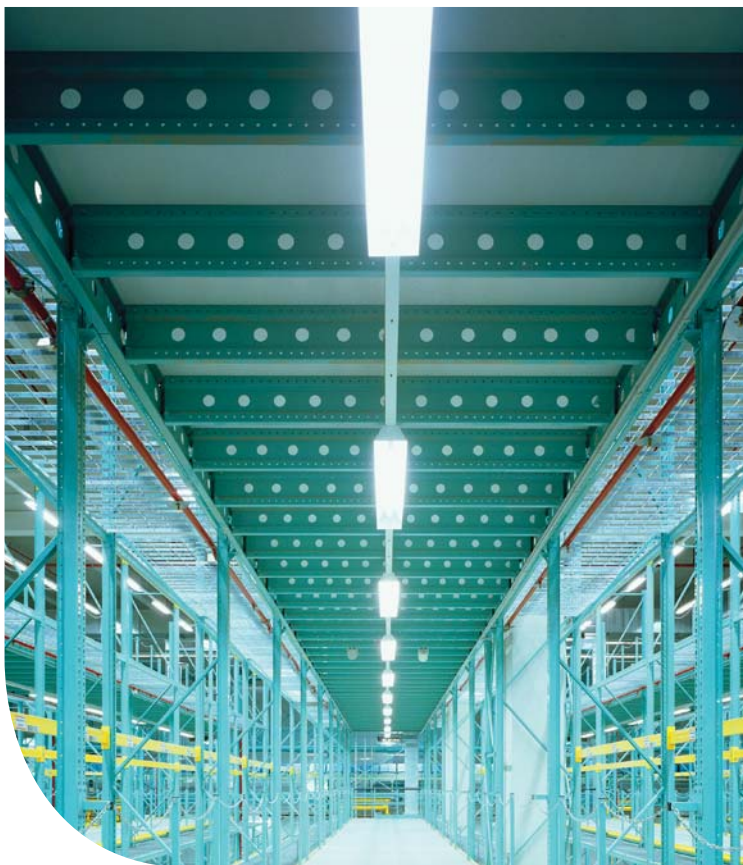
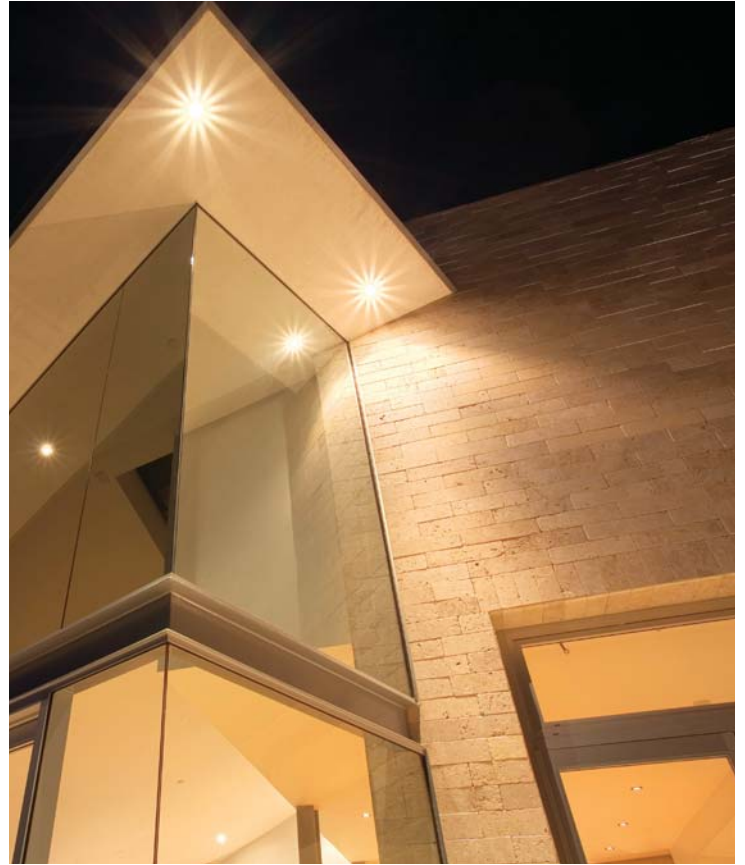


Smart Products. Ingenious Solutions.

Wiring Devices, Energy Management
Solutions and Commercial Data
Infrastructure Products

L-200





Acenti®

INDEX

Residential Grade

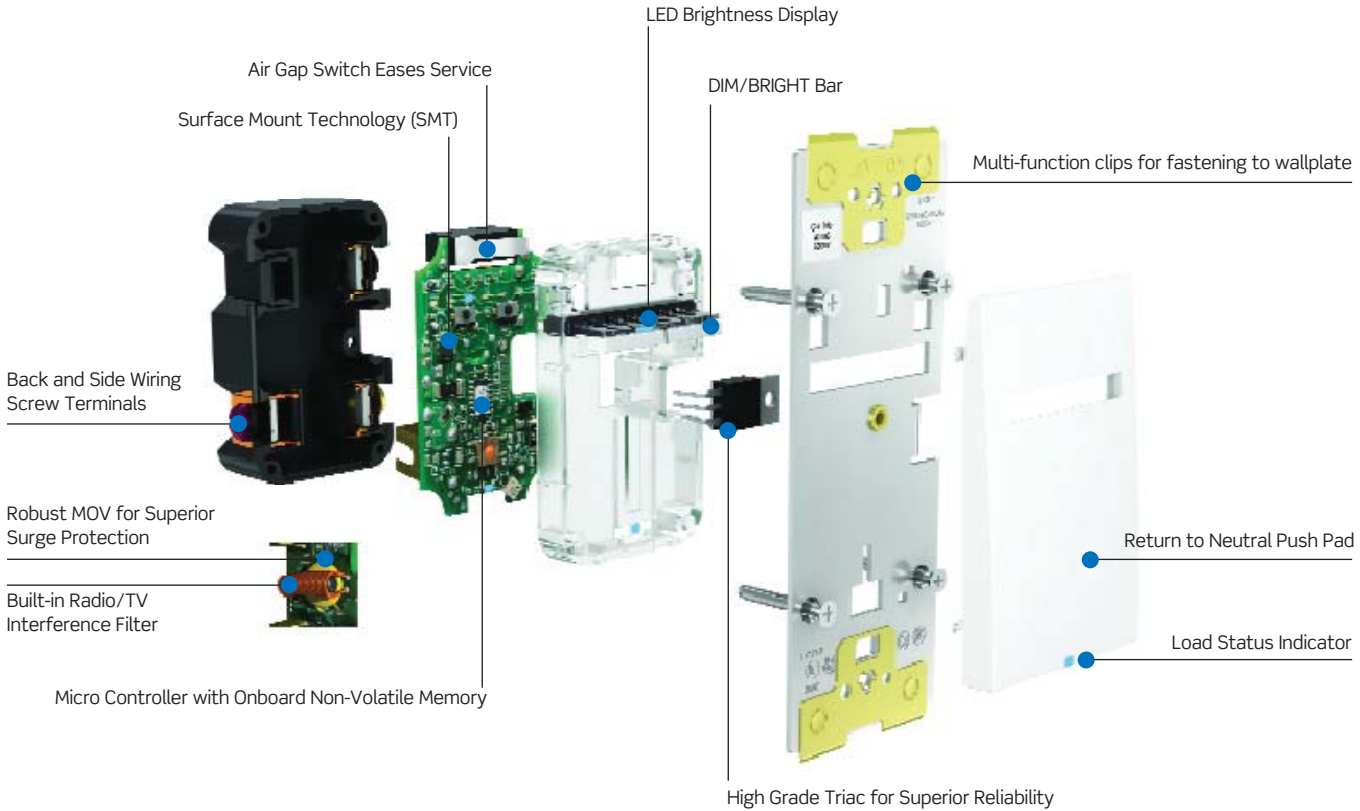
Introduction	14
Controls, Sensors and Timers	15
Switches	20
Receptacles	22
Acenti® Wallplates	25
Inserts and Connectors	27

Residential Grade

The Acenti® Collection

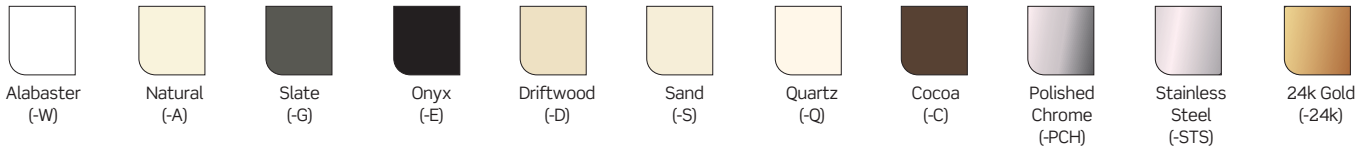
The Acenti Collection is truly in a class by itself. Its accolades are many, including the prestigious Industrial Design Excellence Award (IDEA) as well as the Good Design™ award. There are over 75 Acenti devices in this artful collection; every one is a testament to Leviton's exacting standards, a visual and tactile work of art.

The Acenti Collection has set new standards for style and functionality. Acenti Dimmers and Fan Speed Controls have a "return-to-neutral" feature. This subtle, elegant design enhancement ensures that Acenti always appears at the same attractive position whether on or off and the unique one-touch DIM/BRIGHT bar allows you to set precise lighting levels, then remembers your settings and returns to the same light level when switched back on.



ACENTI® COLORS

Note: Only wallplates are available in metal finishes. To order colors, add suffix to Cat No.



Features and Benefits

- Robust construction with consistent form factor, excellent ergonomic traits and precision feel
- Innovative contoured geometry offers an exclusive aesthetic design*
- Clean multi-gang installation with no dividers between devices
- Devices and wallplates molded from engineering grade polymer with subtle matte finish and flawless color match
- Screwless wallplates snap onto device's TOX® fastened multi-function clips
- Meets all applicable UL, CSA and FCC requirements
- Limited Five-Year Warranty

Visit www.acenti.net for more information

* US and Foreign Patents Pending.
TOX® is a registered trademark of TOX PRESSOTECHNIK, LLC.

Acenti® Controls, Sensors and Timers

All Acenti lighting controls provide single pole (one location), 3-way (multi-location) or more control when used with Acenti remote units.

Specifications and Features

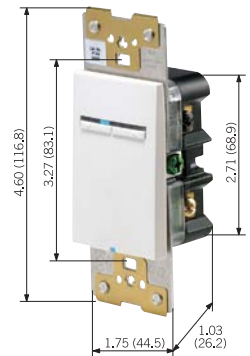
- Universal design provides crisp actuation and excellent tactile feedback
- Push pad always returns to neutral position regardless of load status
- Soothing blue LED locator and brightness display
- Digital circuitry provides soft ON/fade OFF and extends lamp life
- Protected memory and voltage compensation maintain light levels after power outages and during minor power fluctuations
- LEDs on matching remote units track and follow dimmer's LEDs to indicate DIM/BRIGHT level
- Single pole (one location) and 3-way (multi-location) switching with Acenti matching or coordinating remote devices
- Built-in radio/TV interference filter
- Terminal screws (back and side wire) on select models ease installation
- Multi-function self grounding clips snap onto wallplate and ensure proper device alignment
- Air-gap switch completely disconnects power to unit for bulb change and service
- Devices and wallplates molded from engineering grade polymer with subtle matte finish and flawless color match

Advanced Features:

- For maximum flexibility, advanced programming is available for energy save mode, minimum brightness level, preset ON and OFF, fade rates, almost OFF and LED options
- Limited Five-Year Warranty

Acenti Electronic Timer Switch:

- Four preset buttons plus OFF for timed control of lights and appliances
- LEDs indicate time elapsed
- Before turning OFF, bottom LED flashes two-minute warning
- Limited Five-Year Warranty



AT106-1L

ACENTI CONTROLS WITH LED LOCATOR & BRIGHTNESS DISPLAY

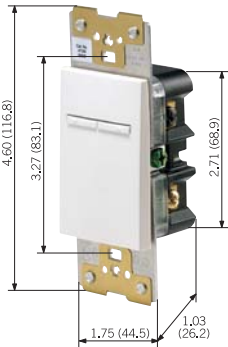
Dimmers U S

Description	Rating	Cat. No.	Color
Incandescent Dimmer	600W-120VAC	AT106-1L	W, A, G, E, D, S, Q, C
Magnetic Low Voltage Dimmer	600VA-120VAC	ATM06-1L	W, A, G, E, D, S, Q, C
Incandescent/ Magnetic Low Voltage Dimmer	1000W-120VAC 1000VA-120VAC	ATM10-1L	W, A, G, E, D, S, Q, C
Electronic Low Voltage Dimmer; neutral required	400W-120VAC	ATE04-1L	W, A, G, E, D, S, Q, C
Electronic Low Voltage Dimmer; neutral required	600W-120VAC	ATE06-1L	W, A, G, E, D, S, Q, C

Continued On Next Page >

Residential Grade

Continued From Previous Page >



AT00R-1L

Description	Rating	Cat. No.	Color
Fluorescent Dimmer for Mark 10® <i>Powerline</i> or <i>Tu-Wire</i> ® Ballasts; neutral required	1000VA-120VAC	ATX10-1L	W, A, G, E, D, S, Q, C
Fluorescent Dimmer for Mark 10® <i>Powerline</i> Ballasts with LED locator and brightness display; neutral required	1200VA-277VAC	ATX12-7L	W, A, G, E, D, S, Q, C
Fluorescent Dimmer for Hi-lume® or Eco-10® (Eco-Series) Ballasts; neutral required	8A-120VAC	ATH08-1L	W, A, G, E, D, S, Q, C
Fluorescent Dimmer for Hi-lume® or Eco-10® (Eco-Series) Ballasts with LED locator and brightness display; neutral required	6A-277VAC	ATH06-7L	W, A, G, E, D, S, Q, C

Remotes

Description	Rating	Cat. No.	Color
Matching Remote to 120VAC Dimmers/Fan Speed Control for 3-way or up to 5 locations; neutral required	No load rating 120VAC	AT00R-1L	W, A, G, E, D, S, Q, C
Coordinating Remote to 120VAC Dimmers/Fan Speed Control for 3-way or up to 10 locations, no LED; neutral required±	No load rating 120VAC	AT00R-10	W, A, G, E, D, S, Q, C
Matching Dimmer Remote to 277VAC Dimmers for 3-way or up to 5 locations, with LED locator and brightness display; neutral required ±	No load rating 277VAC	AT00R-7L	W, A, G, E, D, S, Q, C

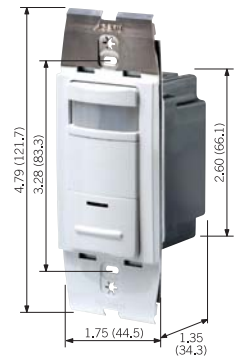
Fan Controls

Description	Rating	Cat. No.	Color
Quiet Fan Speed Control (LED display denotes speed); neutral required	1.5A-120VAC	ATF01-1L	W, A, G, E, D, S, Q, C

± Except when used with incandescent and magnetic low voltage applications.

ACENTI® OCCUPANCY SENSORS AND TIMERS U S

Description	Rating	Cat. No.	Color
Adapted PIR Occupancy Sensor for single pole or 3-way applications, 180° field of view, 900 sq. ft., LED locator light	Incandescent: 800W@120VAC Fluorescent: 1200VA@120VAC 2700VA@277VAC	ACP10	W, A, E
Adapted Manual-On Occupancy Sensor for single pole, 3-way or more applications, neutral required**	1800W/1800VA, 1/2 HP-120VAC	ACP15-CB	W, A, E
Adapted Manual-On Occupancy Sensor Remote to ACP15 or Acenti 120VAC dimmers. Control for 3-way or up to 5 locations, neutral required**	No load rating 120VAC	ACP0R-CB	W, A, E
Adapted Timer Switch with four preset buttons plus OFF for single pole applications. LED locator; neutral required. 10-20-30-60 minute intervals	1000W Incandescent 20A Inductive, 1 HP @ 120VAC	ACT60	W Color Change Kits Available A, E



ACP15-CB

**California Title 24 Compliant.

NOTE: Application notes are available at www.leviton.com/acenti for detailed information about installations and fade rate adjustments. Leviton recommends the use of deep wall boxes for Acenti installations. Some devices require a neutral conductor.

MAXIMUM LOAD PER ACENTI DEVICE

Cat. No.	Single	2-gang	More than 2-gang
ATE04-1L	400W	350W	250W
ATE06-1L	600W	500W	400W
ATF01-1L	1.5A	1.5A	1.5A
ATH08-1L	8A	8A	8A
ATH06-7L	6A	6A	6A
ATI06-1L	600W	600W	500W
ATM06-1L	600VA (450W)	600VA (450W)	500VA (375W)
ATM10-1L Incandescent	1000W	800W	650W
Magnetic Low Voltage	1000VA (800W)	800VA (640W)	650VA (520W)
ATX10-1L	1000VA	800VA	650VA
ATX12-7L	1200VA	1200VA	1200VA



Related Products

Use Leviton Power Extenders to extend the load capacity of box mounted dimmers. Leviton Power Extenders are available for incandescent, magnetic low voltage, electronic low voltage, Mark 10® Powerline fluorescent dimming ballasts or equivalents and 0-10 VDC dimmable fluorescent ballasts such as Mark 7® OSRAM Sylvania Quicktronic® Helios™ or equivalent ballasts.

See page 227 for more information.

Mark 10® Powerline and Mark 7® are registered trademarks of Advance Transformer Co. Tu-Wire®, Eco-10® and Hi-lume® are registered trademarks of Lutron Electronics, Inc. Quicktronic® is a registered trademark and Helios™ is a trademark of OSRAM Sylvania.

Residential Grade

TESTING AND CODE COMPLIANCE

- UL Listed (File #E-31373)
- CSA Certified (File #LR-3413)
- Meets Part 15, Class B FCC Requirements
- ACP15 and ACP0R California Title 24 Energy Code 2005

MATERIAL CHARACTERISTICS

Environmental: Flammability UL-94, V2 Rating
 Operating Temperature: 32°F to 130°F

COLOR

To order colors, add suffix to Cat. No. as follows: Alabaster (-W), Natural (-A), Slate (-G), Onyx (-E), Driftwood (-D), Sand (-S), Quartz (-Q), Cocoa (-C)

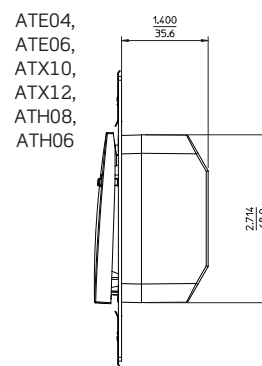
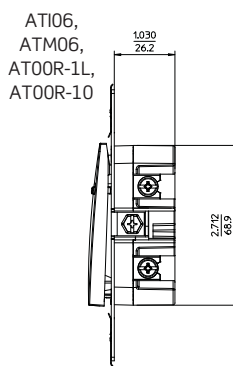
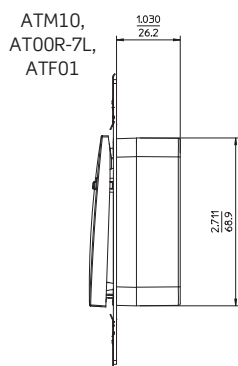
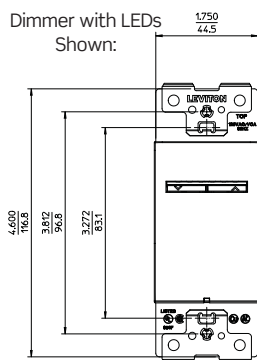
CAUTION ON RETROFITS:

When retrofitting Mark 10® *Powerline* dimming ballasts into fixtures that originally had Instant Start ballasts, the sockets **MUST** be replaced with Rapid Start sockets to allow proper dimmer operation and prevent damage to the dimming ballast. Refer to the instructions provided with the ballast and the Leviton dimmer.

NOTE: Sharing a neutral wire may cause flickering or other anomalies. Connect all dimmers to the same phase or run a separate neutral to each phase. Consult Leviton Technical Support if problems persist.

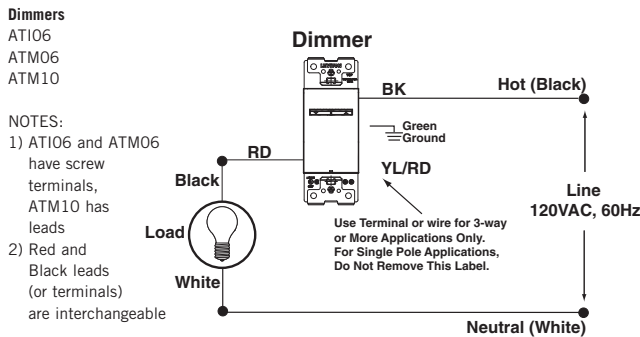
Mark 10® *Powerline* and Mark 7® are registered trademarks of Advance Transformer Co.

DIMENSIONS

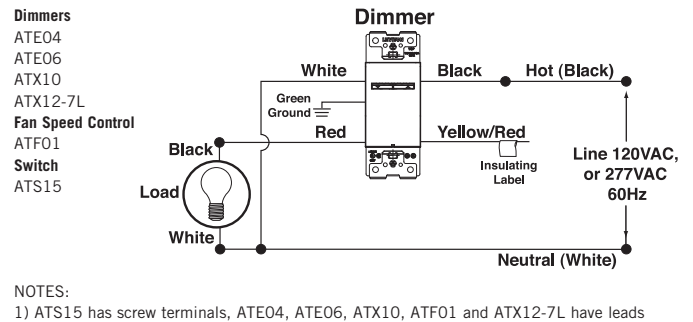


WIRING DIAGRAMS

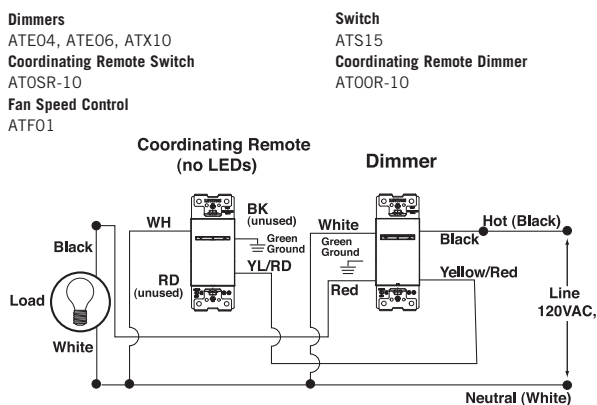
Single pole wiring for incandescent or magnetic low voltage dimmer



Single pole wiring for electronic low voltage dimmers, Mark 10® Powerline dimmers, fan speed control or switch

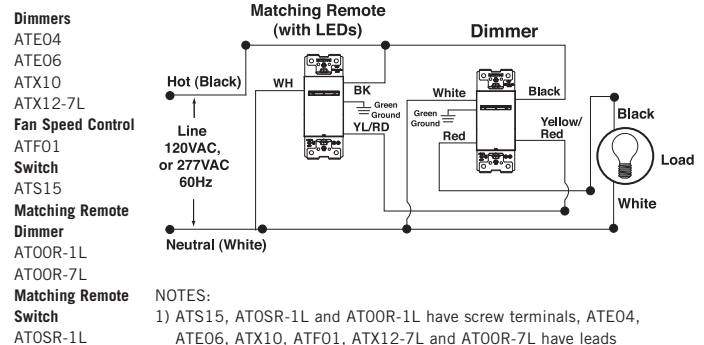


3-way wiring for electronic low voltage dimmer, Mark 10® Powerline dimmer, fan speed control or switch with coordinating remote

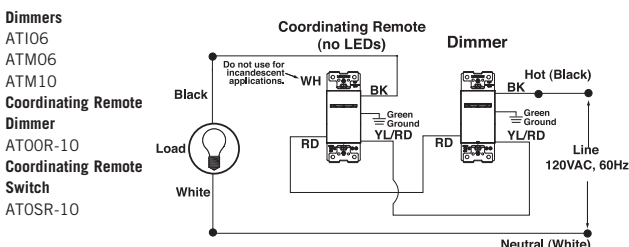


NOTES:
1) ATS15, ATOSR-10 and ATOOR-10 have screw terminals, ATE04, ATE06, ATX10 and ATF01 have leads
2) Black and Red terminals on coordinating remotes are unused

3-way wiring for electronic low voltage dimmer, Mark 10® Powerline dimmer, fan speed control or switch with matching remote

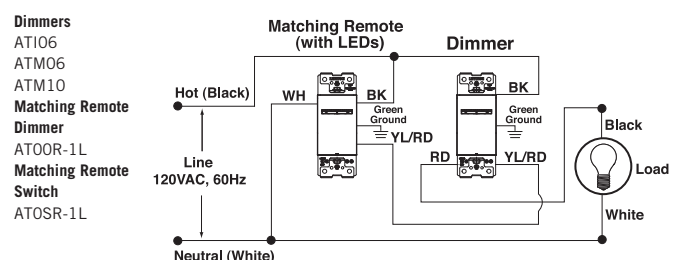


3-way wiring for incandescent or magnetic low voltage dimmers with coordinating remote



NOTES:
1) ATI06, ATM06 and ATOOR-10 have screw terminals, ATM10 has leads
2) Black connections are interchangeable
4) Silver terminal on coordinating remote is unused

3-way wiring for incandescent or magnetic low voltage dimmer with matching remote



NOTES:
1) ATI06, ATM06, ATOOR-1L and ATOSR-1L have screw terminals, ATM10 has leads

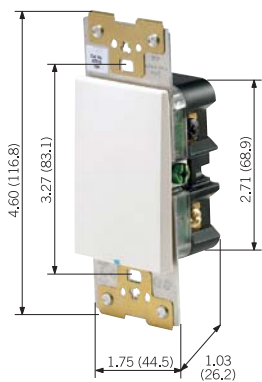
Residential Grade

Acenti® Switches

An Acenti Switch elevates the simple task of turning a light or controlled loads on and off. Each has a “return-to-neutral” feature, an elegant design enhancement that ensures Acenti devices always appear at the same attractive position whether on or off. Acenti Switches feature a signature detail, a blue LED locator light. This soothing light tastefully guides your hand to the switch and makes Acenti Switches beautiful, even in the dark. Acenti satisfies your senses as well as your sense of style.

Specifications and Features

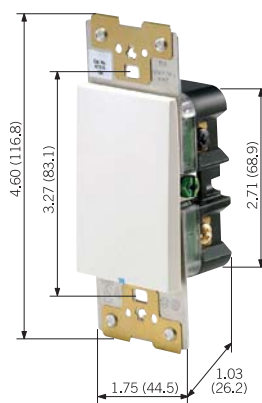
- Universal design provides crisp actuation and excellent tactile feedback
- Push pad always returns to neutral position regardless of load status
- Soothing blue LED locator
- ATS15-1L provides single pole (one location) and multi-location switching with Acenti Switch Remotes
- Terminal screws (back and side wire) ease installation
- Multi-function self-grounding clips snap onto wallplate and ensure proper device alignment
- Devices and wallplates molded from engineering grade polymer with subtle matte finish and flawless color match



ATS15-1L

ELECTRONIC SWITCHES U S

Description	Rating	Cat. No.	Color
Electronic Switch for single pole, 3-way or more applications, with LED locator; neutral required	15A-120VAC	ATS15-1L	W, A, G, E, D, S, Q, C
Matching Remote Switch to ATS15-1L for 3-way or up to 5 locations, with LED locator; neutral required	No load rating 120VAC	ATOSR-1L	W, A, G, E, D, S, Q, C
Coordinating Remote Switch to ATS15-1L for 3-way or up to 10 locations, no LED	No load rating 120VAC	ATOSR-10	W, A, G, E, D, S, Q, C



ATOSR-1L

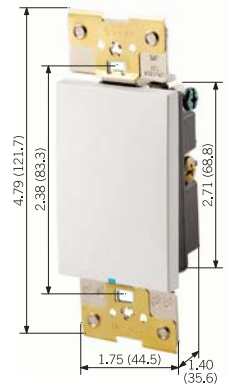
ELECTROMECHANICAL SWITCHES U S

Description	Rating	Cat. No.	Color
Electromechanical Switch for single pole applications, lighting, motor loads or other heavy duty applications, with LED locator	20A-120VAC	AC201-1L	W, A, G, E, D, S, Q, C
Electromechanical Switch for 3-way applications, lighting, motor loads or other heavy duty applications, with LED locator	20A-120VAC	AC203-1L	W, A, G, E, D, S, Q, C
Electromechanical Switch for 4-way applications, lighting, motor loads or other heavy duty applications, with LED locator	20A-120VAC	AC204-1L	W, A, G, E, D, S, Q, C
Electromechanical Switch for single pole applications, lighting, motor loads or other heavy duty applications, with LED locator	20A-277VAC	AC201-7L	W, A, G, E, D, S, Q, C

Residential Grade

Description	Rating	Cat. No.	Color
Electromechanical Switch for 3-way applications, lighting, motor loads or other heavy duty applications, with LED locator	20A-277VAC	AC203-7L	W, A, G, E, D, S, Q, C
Electromechanical Switch for 4-way applications, lighting, motor loads or other heavy duty applications, with LED locator	20A-277VAC	AC204-7L	W, A, G, E, D, S, Q, C

NOTE: Application notes are available at www.leviton.com/acenti for detailed information about installations and fade rate adjustments. Leviton recommends the use of deep wall boxes for Acenti® installations. Some devices require a neutral conductor. AC201/AC203/AC204 are not suitable for Compact Fluorescent loads; use the ATS15 instead.



AC201-1L



Related Products

Use Leviton Power Extenders to extend the load capacity of box mounted dimmers. Leviton Power Extenders are available for incandescent, magnetic low voltage, electronic low voltage, Mark 10® Powerline fluorescent dimming ballasts or equivalents, and 0-10 VDC dimmable fluorescent ballasts such as Mark 7® OSRAM Sylvania Quicktronic® Helios™ or equivalent ballasts.

See page 227 for more information.

Mark 10® Powerline and Mark 7® are registered trademarks of Advance Transformer Co. Tu-Wire®, Eco-10® and Hi-lume® are registered trademarks of Lutron Electronics, Inc. Quicktronic® is a registered trademark and Helios™ is a trademark of OSRAM Sylvania.

TESTING AND CODE COMPLIANCE

- UL Listed (File #E-7458)
- CSA Certified (Switches: File #LR-152105, Timer: File #LR-68679)
- Meets NEMA WD-1 & WD-6 requirements

COLOR

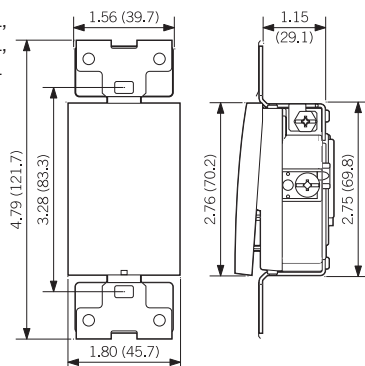
To order colors, add suffix to Cat. No as follows: Alabaster (-W), Natural (-A), Slate (-G), Onyx (-E), Driftwood (-D), Sand (-S), Quartz (-Q), Cocoa (-C)

MATERIAL CHARACTERISTICS

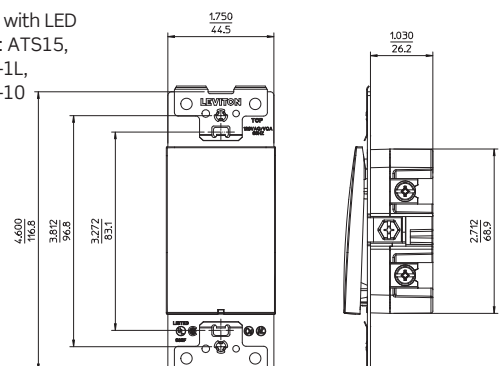
Environmental: Flammability UL-94, V2 Rating
Operating Temperature: 32°F to 130°F

DIMENSIONS

AC201-1L, AC201-7L,
AC203-1L, AC203-7L,
AC204-1L, AC204-7L
Shown: AC201



Switch with LED
Shown: ATS15,
AT0SR-1L,
AT0SR-10



Residential Grade

Receptacles

Acenti® Receptacles grace the most upscale homes with their exquisite combination of design and innovation. In fact, Acenti has the distinction of offering two industry firsts: a Triplex and Sixplex Receptacle. As attractive as it is functional, the Triplex provides three outlets. The Acenti Sixplex has a unique configuration which allows all six outlets to be used at the same time. The Sixplex not only provides six true outlets, it also protects sensitive electronics from power surges and eliminates the need for unsightly power strips. It is perfect for home offices and entertainment centers. Acenti - a statement of elevated standards, right down to the last detail.



Specifications and Features

All Receptacles

- Fit into a standard size wall box†
- Exclusive space saving Triplex Receptacle accommodates three NEMA grounding plugs
- Neat multi-gang installation with no dividers between devices
- Most receptacles feature terminal screws (back and side wire) available for easier installation (Sixplex has pigtail leads)
- Multi-function self-grounding clips snap onto wallplate and ensure proper device alignment
- Devices and wallplates molded from engineering grade polymer with subtle matte finish and flawless color match
- Limited Five-Year Warranty

GFCI Receptacles

- Patented bridge contact provides individual sets of contacts for GFCI receptacle face and downstream receptacles; no power to receptacle face if improperly wired (line-load reversal)
- Patented lockout feature for added safety prevents RESET if GFCI is not operating properly
- TEST and RESET button colors match device face
- Soothing blue LED dual-function indicator light

Tamper-Resistant Receptacles

- Shutter mechanism inside the receptacle blocks access to the contacts unless a two-prong plug is inserted, helping ensure hairpins, keys, etc., will be locked out
- TR symbol on residential receptacles assures they meet the 2008 NEC requirement
- Heavy-duty construction offers long, trouble-free service life

Surge Protective Receptacle

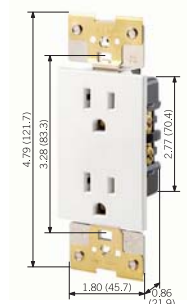
- Protects sensitive electronic equipment against transient voltage surges
- UL 1449 clamping level: 400V
- Audible alarm for protection status
- Soothing blue LED monitor/indicator

†The Sixplex requires a 2-gang wall box.

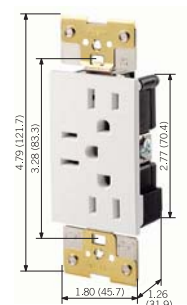
ACENTI® TRIPLEX AND DUPLEX RECEPTACLES U S



Description	Rating	Cat. No.	Color
Triplex Receptacle (NEMA 5-15R)	15A-125VAC	AC315	W, A, G, E, D, S, Q, C
Triplex Receptacle (NEMA 5-20R)	20A-125VAC	AC320	W, A, G, E, D, S, Q, C
Duplex Receptacle (NEMA 5-15R)	15A-125VAC	AC215	W, A, G, E, D, S, Q, C
Duplex Receptacle (NEMA 5-20R)	20A-125VAC	AC220	W, A, G, E, D, S, Q, C

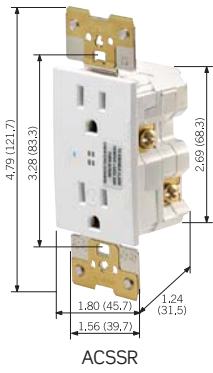


AC215

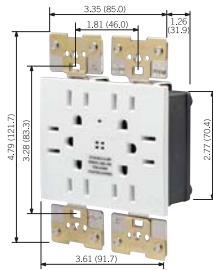


AC315

Residential Grade



ACSSR



ACSR6

ACENTI® GFCI AND SURGE RECEPTACLES U S

Description	Rating	Cat. No.	Color
GFCI Tamper-Resistant Receptacle (NEMA 5-15R)	15A-125VAC	ATGF1	W, A, G, E, D, S, Q
GFCI Receptacle (NEMA 5-15R)	15A-125VAC	ACGF1	W, A, G, E, D, S, Q, C
GFCI Receptacle (NEMA 5-20R)	20A-125VAC	ACGF2	W, A, G, E, D, S, Q, C
Duplex Surge Receptacle (NEMA 5-15R)	15A-125VAC	ACSSR	W, A, G, E, D, S, Q, C
Sixplex Surge Receptacle (NEMA 5-15R)	15A-125VAC	ACSR6	W, A, G, E, D, S, Q, C

TESTING AND CODE COMPLIANCE

- UL Listed (Triplex/Duplex/Surge: File #E-13399, GFCI: File #E-48380)
- CSA Certified (Triplex/Duplex: File #LR-152105, GFCI: File #LR-57811, Surge: File#MC152105/LR-406)
- Meets NEMA WD-1 & WD-6 requirements

MATERIAL CHARACTERISTICS

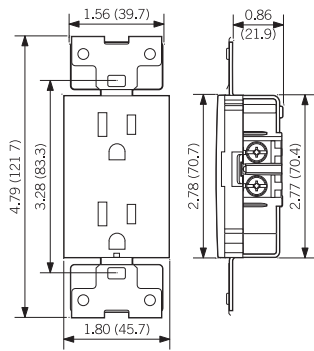
Environmental: Flammability UL-94, V2 Rating
Operating Temperature: 32°F to 130°F

COLOR

To order colors, add suffix to Cat. No. as follows:
Alabaster (-W), Natural (-A), Slate (-G), Onyx (-E), Driftwood (-D), Sand (-S), Quartz (-Q), Cocoa (-C)

DIMENSIONS

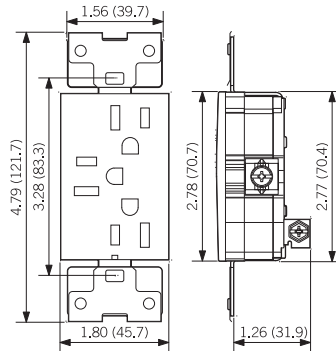
Duplex Receptacle



AC215 Shown

AC215
AC220

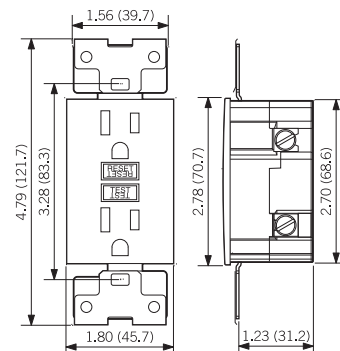
Sixplex Surge Receptacle



AC315 Shown

AC315
AC320

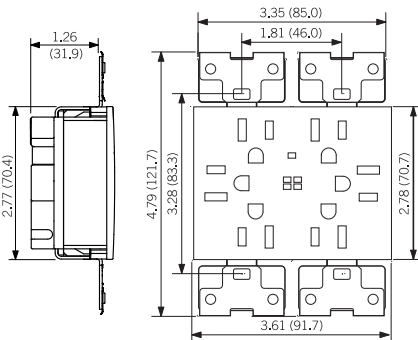
GFCI Receptacle



ACGFI, ATGFI Shown

ACGFI
ATGFI
ACGF2

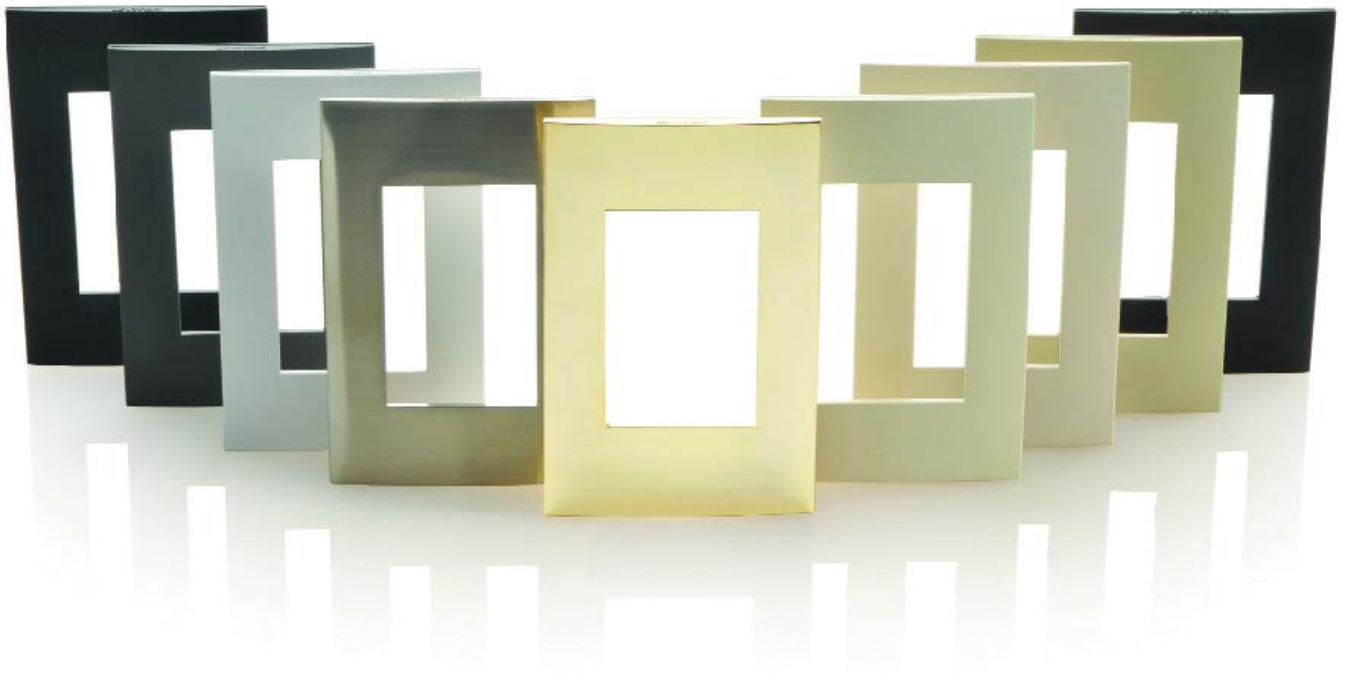
Triplex Receptacle



ACSR6 (Requires 2-gang box)

Acenti® Wallplates

Every aspect of the Acenti collection is finely engineered for a flawless look and equally flawless performance. Leviton's vision for Acenti included a smooth, sleek wallplate whose surface was not marred by screws, culminating in the first screwless metal wallplate. Acenti even eliminates the webbing between switches and up to six Acenti devices can be installed side-by-side in one wallplate and still look trim and uncluttered.



ACENTI COLORS

NOTE: Only wallplates are available in metal finishes. To order colors, add suffix to Cat No.



Specifications and Features

- Exclusive for all Acenti devices
- Screwless, snap-on design provides smooth, clean look
- Subtle, matte finish complements fine décors
- Available in engineering grade polymer, polished chrome, brushed stainless steel and 24k gold finishes
- Unique screwless metal wallplates coordinate with premium-grade appliances and fixtures
- Single opening design of multi-gang wallplates means device frames rest side by side, without extra webbing between them, for an uncluttered appearance
- Alignment plate with positioning pins ensures alignment of device and wallplate
- Snaps easily and directly onto device's multi-function Tox-fastened clips, which also provide self-grounding of device and metal wallplate (when used with a properly grounded metal wall box)
- Limited Five-Year Warranty

Residential Grade



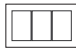
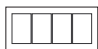
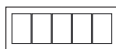
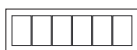

ACENTI® SCREWLESS SNAP-ON WALLPLATES U S



ACWP1



ACWP2

Description	Cat. No. Thermoplastic*	Cat. No. Brushed Stainless Steel	Cat. No. 24k Gold	Cat. No. Polished Chrome
 1-Gang	ACWP1	ACWM1-ST5	ACWM1-24K	ACWM1-PCH
 2-Gang	ACWP2	ACWM2-ST5	ACWM2-24K	ACWM2-PCH
 3-Gang	ACWP3	ACWM3-ST5	ACWM3-24K	ACWM3-PCH
 4-Gang	ACWP4	ACWM4-ST5	ACWM4-24K	ACWM4-PCH
 5-Gang	ACWP5	ACWM5-ST5	ACWM5-24K	ACWM5-PCH
 6-Gang	ACWP6	ACWM6-ST5	ACWM6-24K	ACWM6-PCH
 Blank Wallplate Insert*	ACW14			

* Thermoplastic Blank Wallplate Insert available in the following colors: W, A, G, E, D, S, Q, C.

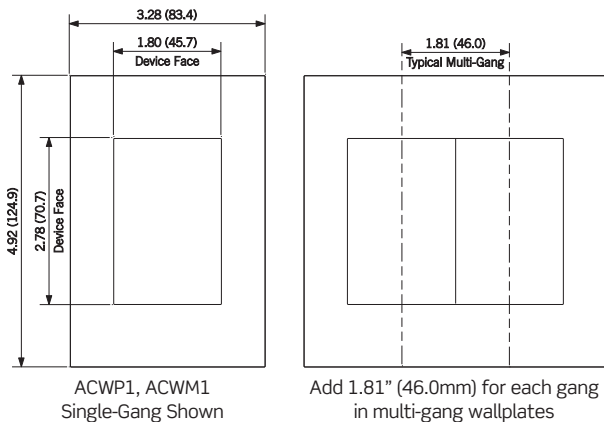
TESTING AND CODE COMPLIANCE

- UL Listed and CSA Certified
- Meets NEMA Standards WD-1, WD-6 (plastic); Meets NEMA and ANSI standards (metal)

COLOR

To order colors, add suffix to Cat. No. as follows: Alabaster (-W), Natural (-A), Slate (-G), Onyx (-E), Driftwood (-D), Sand (-S), Quartz (-Q), Cocoa (-C)

DIMENSIONS



QuickPort® Inserts and Connectors

Leviton QuickPort Snap-In Connectors and Adapters were created to meet the demands of modern technology with a decidedly sophisticated touch. This line of audio, video, voice and data jacks is available in various combinations and can be quickly inserted into an Acenti Wallplate.



Acenti® Inserts and Connectors

Specifications and Features

- QuickPort snap-in inserts and connectors bring voice, data, audio and video together
- Compatible with the complete collection of Acenti devices
- Limited Five-Year Warranty

Residential Grade



AC108

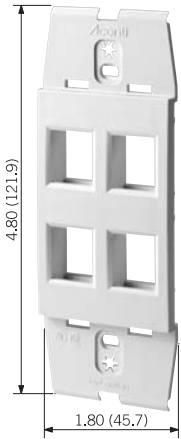
QUICKPORT® ACENTI® MULTIMEDIA WALLPLATE INSERTS AND SNAP-IN CONNECTORS U S

Multimedia Wallplate Inserts

Description	Cat. No.	Color
2-Port QuickPort Insert	AC642	W, A, G, E, D, S, Q
3-Port QuickPort Insert	AC643	W, A, G, E, D, S, Q
4-Port QuickPort Insert	AC644	W, A, G, E, D, S, Q
6-Port QuickPort Insert	AC646	W, A, G, E, D, S, Q

Snap-In Connectors

Description	Cat. No.	Color
Cat 5e Jack	AC108-R*5	W, A, G, E, D, S, Q
RCA Jack w/Red Stripe	AC830-B*R	W, A, G, E, D, S, Q
RCA Jack w/Black Stripe	AC830-B*E	W, A, G, E, D, S, Q
RCA Jack w/Yellow Stripe	AC830-B*Y	W, A, G, E, D, S, Q
RCA 110 Term., Orange Barrel	AC735-RO*	W, A, G, E, D, S, Q
RCA 110 Term., Red Barrel	AC735-RR*	W, A, G, E, D, S, Q
RCA 110 Term., White Barrel	AC735-RW*	W, A, G, E, D, S, Q
RCA 110 Term., Yellow Barrel	AC735-RY*	W, A, G, E, D, S, Q
Banana Jack w/Red Stripe	AC837-B*R	W, A, G, E, D, S, Q
Banana Jack w/Black Stripe	AC837-B*E	W, A, G, E, D, S, Q
Binding Post w/Red Stripe	AC833-B*R	W, A, G, E, D, S, Q
Binding Post w/Black Stripe	AC833-B*E	W, A, G, E, D, S, Q
BNC Adapter, Nickel Plated	AC084-B*F	W, A, G, E, D, S, Q
BNC Adapter, Gold Plated	AC832-0B*	W, A, G, E, D, S, Q
F-Type Adapter, Nickel Plated	AC084-F*F	W, A, G, E, D, S, Q
F-Type Adapter, Gold Plated	AC831-0B*	W, A, G, E, D, S, Q
Blank Insert	AC084-B*B	W, A, G, E, D, S, Q
S-Video Module, 110 Termination	AC734-SV*	W, A, G, E, D, S, Q



AC644

When ordering Voice & Data connectors, insert color description where (*) is indicated.

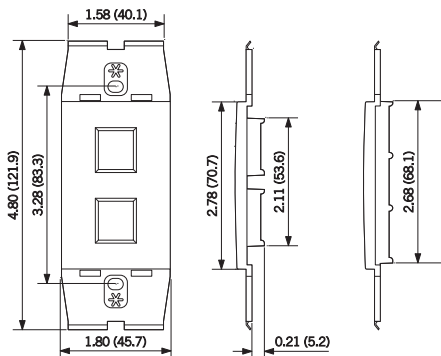
TESTING AND CODE COMPLIANCE

- UL Listed and CSA Certified
- Meets NEMA Standards WD-1, WD-6 (plastic); Meets NEMA and ANSI standards (metal)

COLOR

To order colors, add suffix to Cat. No. as follows: Alabaster (-W), Natural (-A), Slate (-G), Onyx (-E), Driftwood (-D), Sand (-S), Quartz (-Q)

DIMENSIONS



AC642 2-Port shown

AC642 2-Port AC644 4-Port

AC643 3-Port AC646 6-Port