

OsiSense™ XXV18 Ultrasonic Sensors

Cost-effective ultrasonic sensing technology for proximity detection



The OsiSense™ XXV18 ultrasonic sensor from Schneider Electric provides similar proximity sensing capabilities as most inductive sensors, but delivers greater sensing capabilities with respect to target color, shape or composition. These sensors are self-contained, pulse echo, ultrasonic sensing devices that both transmit and receive sonic energy in an 18 mm cylindrical housing.

Ideal for packaging, material handling and metal working assembly machine applications, these sensors are unaffected by changing light conditions, colors or environmental noise. The OsiSense™ XXV18 ultrasonic sensor is designed to perform reliably in harsh industrial environments where other sensing technologies are challenged (e.g., changing light conditions, dust, dirt, powder, humidity, etc.). The OsiSense™ XXV18 sensors have a sensing range from 2.0 mm (0.08 in.) to 50.0 mm (1.97 in) which is a 25 percent to 200 percent increased sensing range compared to traditional inductive sensors.

Offering great value at low costs, this OsiSense™ ultrasonic sensor provides a versatile and powerful ultrasonic sensing solution as an alternative to using inductive sensors in proximity sensing applications.

> Key Features

- **Sensing range** – from 2.0 mm (0.08") up to 50.0 mm (1.97") with virtually no deadband allows for use in multiple proximity detection applications.
- **Senses all materials and colors** – able to sense most types of objects without any sensitivity adjustments, whether glass or plastic, clear or opaque. And, they are unaffected by changing color or light conditions.
- **Cost-effective ultrasonic sensing solution** – introduces ultrasonic technology at a price comparable with less capable inductive sensors.
- **Plug and play alternative** – common 18 mm diameter body style makes for an easy alternative to existing inductive sensors.
- **LED status indicator** – illuminated LED indicates output mode with 4-quadrant visibility (essentially 360°).
- **Fully compliant** – RoHS compliant, UL approved, CE Certified, and rated IP67 and NEMA Type 4 and 13.

Making Sense of SensorsSM



Telemecanique
Sensors

OsiSense™ XXV18 Ultrasonic Sensor

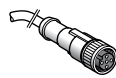




Up to 200%

increase in range
over leading
competitive
inductive sensors

Product Specifications

Supply Voltage	12 to 24 VDC
Sensing Range	2.0 mm up to 50.0 mm (0.08" to 1.97")
Temperature Ratings	Operational 0°C to +60°C (32°F to +140°F)
Output	Discrete, 200mA
Housing Style	18 mm diameter threaded barrel, nickel-plated brass
Housing Dimensions	56.5 mm (2.22") – cable model 66.5 mm (2.62") – connector model
Protection Ratings	NEMA Type 4 and 13, and IP67
Certifications	UL, CE, RoHS Compliant
Max. Switching Frequency	80 Hz

M12 Connection	Pre-Wired Connectors (female)		
	Straight	Elbowed	Elbowed PNP LED
4-pin 2 m	XZCP1141L2	XZCP1241L2	XZCP1340L2
5 m	XZCP1141L5	XZCP1241L5	XZCP1340L5
10 m	XZCP1141L10	XZCP1241L10	XZCP1340L10
			

Format	Output	Function	Supply Voltage	Connection	Part Number
M18 x1	PNP	NO	12-24 VDC	Pre-cabled 2 m	XXV18B1PAL2
				Pre-cabled 5 m	XXV18B1PAL5
				Pre-cabled 10 m	XXV18B1PAL10
		M12 connector		XXV18B1PAM12	
		Pre-cabled 2 m		XXV18B1PBL2	
		Pre-cabled 5 m		XXV18B1PBL5	
	NPN	NO	12-24 VDC	Pre-cabled 10 m	XXV18B1PBL10
				M12 connector	XXV18B1PBM12
				Pre-cabled 2 m	XXV18B1NAL2
		Pre-cabled 5 m		XXV18B1NAL5	
		Pre-cabled 10 m		XXV18B1NAL10	
		M12 connector		XXV18B1NAM12	
	NC		Pre-cabled 2 m	XXV18B1NBL2	
			Pre-cabled 5 m	XXV18B1NBL5	
			Pre-cabled 10 m	XXV18B1NBL10	
	M12 connector		XXV18B1NBM12		

Put our sensing experience to work for you.

For application assistance or more information about Schneider Electric sensing solutions, please contact the Schneider Electric Sensor Competency Center at **1-800-435-2121** or visit www.SESensors.com.

Schneider Electric USA, Inc.

Schneider Electric Sensor Competency Center
1875 Founders Dr.
Dayton, OH 45420-4017
Tel: 937-252-2121
www.SESensors.com

Schneider Electric Canada, Inc.

5985 McLaughlin Road
Mississauga, Ontario L5R 1B8
Tel: 800-435-2121

