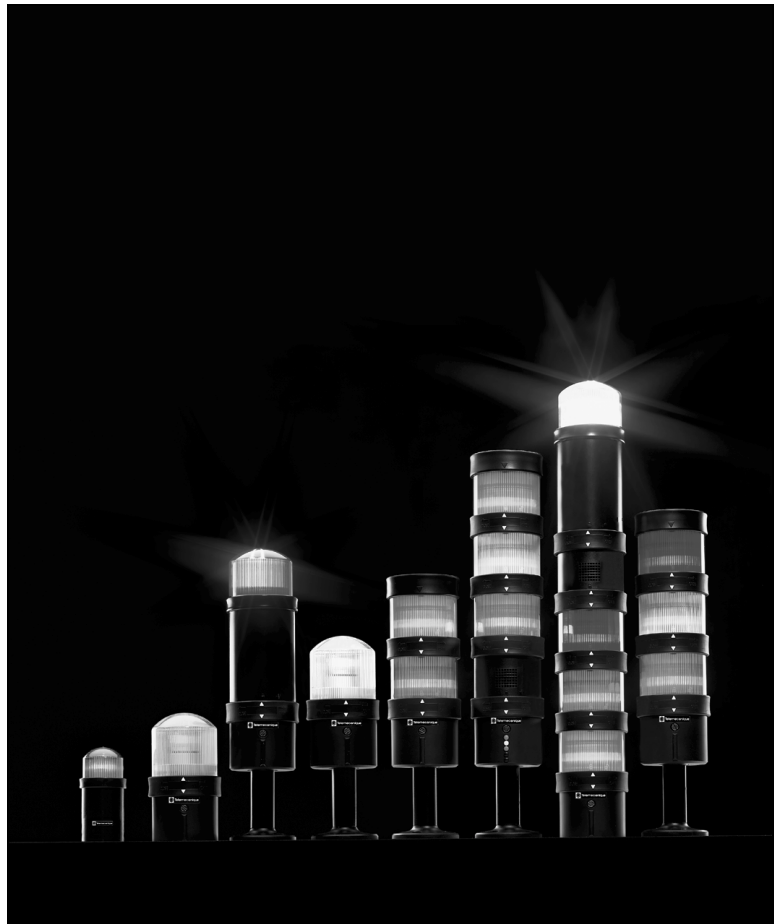


AS-i Interface for XVB Illuminated Beacons and Indicating Banks

Class 8340



-  **Merlin Gerin**
-  **Modicon**
-  **Square D**
-  **Telemecanique**

Schneider Electric Brands

CONTENTS

Description	Page
Product Description.....	3
Assembly with the AS-i Interface Module.....	2
Specifications	4



AS-i Interface for XVB Illuminated Beacons and Indicator Banks Assembly with the AS-i Interface Module

Illuminated Beacons

The complete unit includes the following:

1. A base
2. A colored lens unit

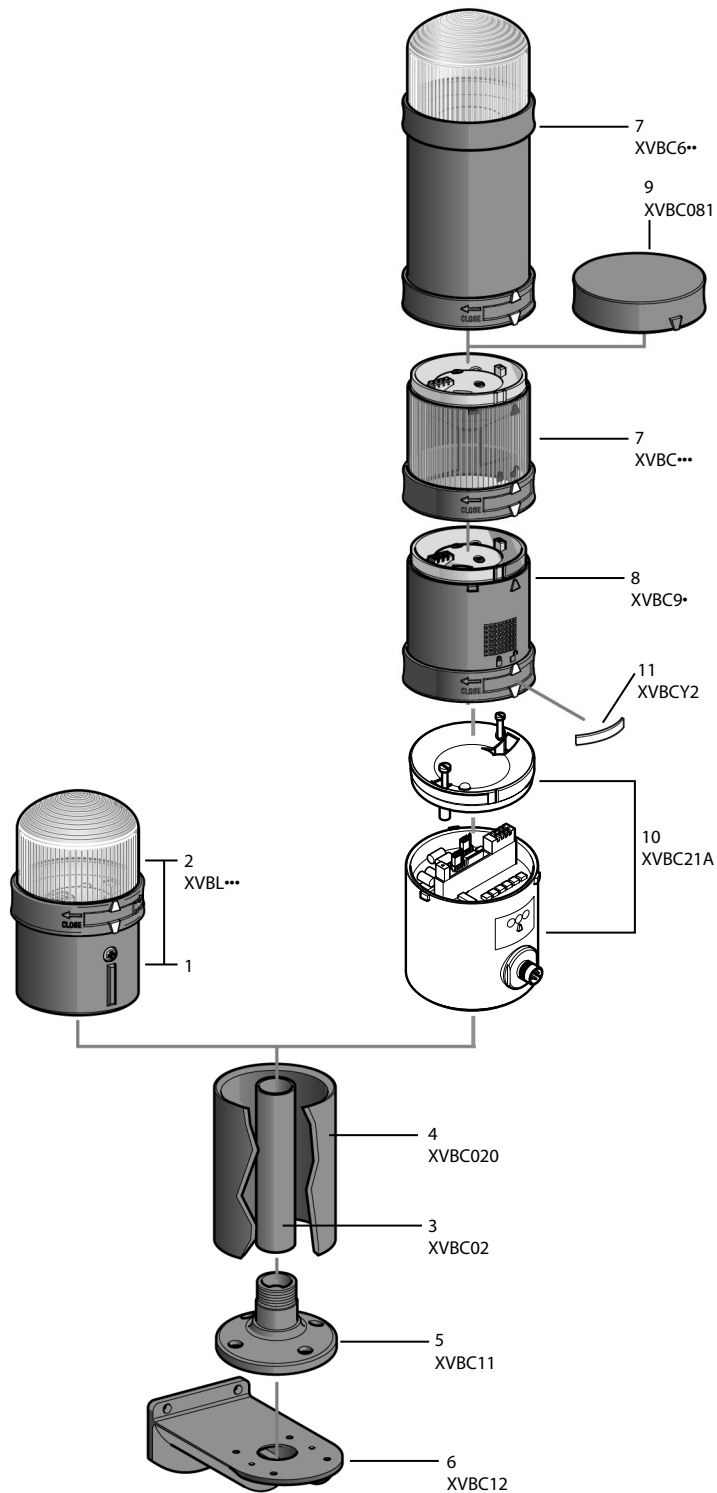
Additional accessories include:

3. A support tube
4. Support tube concealment cover
5. Tulip for use with tube for mounting on a horizontal surface
6. Wall mounting bracket

Stackable Indicating Banks

It may include the following:

3. Support tube
4. Support tube concealment cover
5. Tulip for use with tube for mounting on a horizontal surface
6. Wall mounting bracket
7. One to four colored lens units, and/or
8. An audible sounder unit
9. A top cover, (except with a strobe)
10. AS-i interface module
11. Legends that attach to locking ring of individual signalling units for identification



AS-i Interface for XVB Illuminated Beacons and Indicator Banks

General Information

Illuminated Indicator Bank Interface Module XVBC21A

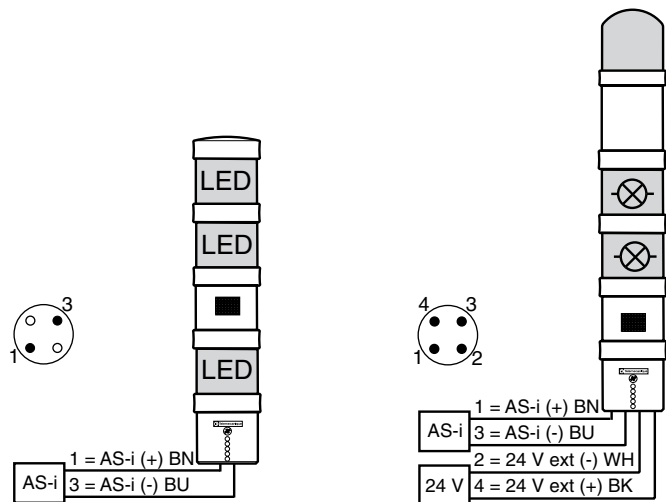
- Illuminated indicator banks are visual or audible signaling units used mainly to indicate machine operation sequences and to check status from a distance. The illuminated units have 360° visibility.
- Application examples include: machine stop–start, no material, call technical staff, fault indication, etc.
- One quick connection to the AS-i control bus via a four-pin M12 connector provides status feedback and control of up to four stack light elements (indicator light, buzzer, etc.).
- For information on the complete offering of XVB stack light components and accessories, ask your local sales office for any of the following documents:
 - Square D Digest
 - Square D Digest Plus
 - Push Buttons and Operator Interface Specifiers Guide (Catalog No. 9001CT0001)
- Diagnostic LED indicators provided for quick system troubleshooting.

Selection

Description	Catalog Number
AS-i adaptor unit for XVB stack lights (the adaptor must be the lowest unit on the column)	XVBC21A

Connections

An internal jumper allows selection between AS-i bus power and an auxiliary power supply (24 V). The AS-i bus power is for LED indicating lamps. Auxiliary power is recommended for incandescent lamps and strobes.



Environment

Product Certifications	AS-i Association
Ambient Air Temperature	
Operating	+14 to 122 °F (-10 to +50 °C)
Storage	-4 to 158 °F (-20 to +70 °C)
Degree of Protection	IP65 (IEC 60529 – NF C 20-010) Type 4X indoor (UL508)
Materials	Glass-reinforced polyamide and polycarbonate
AS-i Bus Connection	M12 connector



AS-i Interface for XVB Illuminated Beacons and Indicator Banks Specifications

Electrical Specifications

Power Supply	From the AS-i bus	AS-i bus power plus 24 Vdc auxiliary supply	
	AS-i 24 V	AS-i 24 V	24 V external (PELV) ¹
Voltage Range	24–31.6 V	24–31.6 V	24–30 V
Lamp Options	LED lamps only	LED and incandescent	
Element Usage	4 elements max. (e.g. 3 LEDs + 1 buzzer)	4 elements max.	
Current Consumption from Bus	30 to 230 mA	30 mA	—
Output Current	200 mA	—	2 A
Short-circuit Protection	200 mA	—	0.7 A
Approvals	UL File E164353, CSA File LR 44087		

¹ Protection extra low voltage, according to IEC 947-5-1

Data Exchange Specifications

AS-i Profile	S 7.F		
Bit Value		0	1
Input Data Bits (Status)	D0 Element 1	Fault	Okay
	D1 Element 2	Fault	Okay
	D2 Element 3	Fault	Okay
	D3 Element 4	Fault	Okay
Output Data Bits (Commands)	D0 Element 1	Off	On
	D1 Element 2	Off	On
	D2 Element 3	Off	On
	D3 Element 4	Off	On
Parameter Bits	P0 Element 1	Blinking when on	Steady when on
	P1 Element 2	Blinking when on	Steady when on
	P2 Element 3	Blinking when on	Steady when on
	P3 Element 4	Blinking when on	Steady when on

To accomplish a flashing function, do not use flashing indicator lens XVBL4*. Instead, use the parameter setting bit.

LED Indicator

Color	State	Indication
green	steady-on	AS-i bus is okay
red	steady-on	Bus communication error
red	blinking-on	Peripheral device error

Square D Company
8001 Highway 64 East
Knightdale, NC 27545
1-888-SquareD
(1-888-778-2733)
www.SquareD.com

Schneider Canada Inc.
19 Waterman Avenue,
M4B 1 Y2
Toronto, Ontario
1-800-565-6699

www.schneider-electric.ca Catalog No. 8340CT0103 July 2001 © 2001 Schneider Electric All Rights Reserved