

# Definite Purpose Control

Class 8910, 8911, 8965, 9998, 9999



## CONTENTS

| Description                     | Page  |
|---------------------------------|-------|
| Types DP, DPA and SYD .....     | 3-8   |
| Dimensions .....                | 6-7   |
| Fusible .....                   | 8     |
| Types DPS and H through M ..... | 9-12  |
| Wiring Diagrams .....           | 12    |
| Reversing Hoist .....           | 13-15 |
| Replacement Parts .....         | 16-18 |



**SQUARE D**  
GROUPE SCHNEIDER



# Definite Purpose Contactors Types DP, DPA and SYD — Class 8910

- Compact Design
- Industry Standard Mounting
- Double Break Contacts
- Low Coil VA
- Straight-Through Wiring
- Low Cost

Definite purpose contactors are ideal for heating, air conditioning, refrigeration, data processing, and food service equipment. New compact 1 and 2 pole contactors are available along with full size 2, 3, and 4-pole devices.

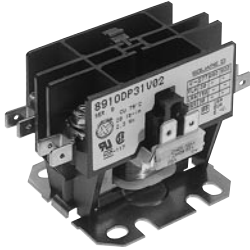
They feature quick connect terminals and binder head screws for easy wiring. Box lugs are standard on 40 ampere contactors and larger. An exclusive DIN track mounting option may reduce installation costs. Coils can be changed on the Type DPA contactors quickly without a tool. Auxiliary contact modules snap on either side of the Type DPA contactors.

### Compact 1-Pole Contactors – 600 Vac Maximum

| Full Load Amperes | Locked Rotor Amperes |       |       | Resistive Load Amperes | Horsepower Ratings |          | N.O. Poles | Type  |
|-------------------|----------------------|-------|-------|------------------------|--------------------|----------|------------|-------|
|                   | 277 V                | 460 V | 575 V |                        | 115 V 1Ø           | 230 V 1Ø |            |       |
| 20                | 100                  | 100   | 80    | 25                     | 1                  | 2        | 1          | DP11* |
| 25                | 125                  | 125   | 100   | 30                     | 2                  | 3        | 1          | DP21* |
| 30                | 150                  | 150   | 120   | 40                     | 2                  | 3        | 1          | DP31* |
| 40                | 240                  | 200   | 160   | 50†                    | 2                  | 5        | 1          | DP41* |

† 50 A Res. limited to 277 V. All others rated 40 A Res. (above 277 V).

\* Voltage code must be specified to order this product. Refer to standard voltage codes listed below.



Type DP31V02  
1-Pole

### Compact 2-Pole Contactors – 600 Vac Maximum ■

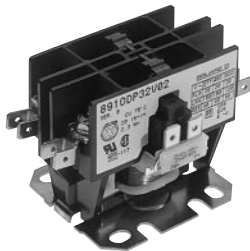
| Full Load Amperes | Locked Rotor Amperes |       |       | Resistive Load Amperes | Horsepower Ratings |          | N.O. Poles | Type  |
|-------------------|----------------------|-------|-------|------------------------|--------------------|----------|------------|-------|
|                   | 277 V                | 460 V | 575 V |                        | 115 V 1Ø           | 230 V 1Ø |            |       |
| 20                | 100                  | 100   | 80    | 30                     | 1                  | 2        | 2          | DP12* |
| 25                | 125                  | 125   | 100   | 35                     | 2                  | 3        | 2          | DP22* |
| 30                | 150                  | 150   | 120   | 40                     | 2                  | 5        | 2          | DP32* |
| 40                | 240                  | 200   | 160   | 50                     | 2                  | 5        | 2          | DP42* |

■ Above 240 volts, all lines must be switched.

### 2, 3, and 4-Pole Contactors – 600 Vac Maximum ■

| Full Load Amperes | Locked Rotor Amperes |       |       | Resistance Load Amperes | Horsepower Ratings |          |          |              | N.O. Poles  | Type                       |
|-------------------|----------------------|-------|-------|-------------------------|--------------------|----------|----------|--------------|-------------|----------------------------|
|                   | 230 V                | 460 V | 575 V |                         | 115 V 1Ø           | 230 V 1Ø | 230 V 3Ø | 460/575 V 3Ø |             |                            |
| 20                | 120                  | 100   | 80    | 25                      | 1                  | 2        | 5        | 7½           | 2<br>3<br>4 | DPA12*<br>DPA13*<br>DPA14* |
| 25                | 150                  | 125   | 100   | 35                      | 2                  | 3        | 7½       | 10           | 2<br>3<br>4 | DPA22*<br>DPA23*<br>DPA24* |
| 30                | 180                  | 150   | 120   | 40                      | 2                  | 5        | 10       | 15           | 2<br>3<br>4 | DPA32*<br>DPA33*<br>DPA34* |
| 40                | 240                  | 200   | 160   | 50                      | 3                  | 7½       | 10       | 20           | 2<br>3<br>4 | DPA42*<br>DPA43*<br>DPA44* |
| 50                | 300                  | 250   | 200   | 62                      | 3                  | 10       | 15       | 30           | 2<br>3      | DPA52*<br>DPA53*           |
| 60                | 360                  | 300   | 240   | 75                      | 5                  | 10       | 25       | 30           | 2<br>3      | DPA62*<br>DPA63*           |
| 75                | 450                  | 375   | 300   | 94                      | 5                  | 15       | 25       | 40           | 2<br>3      | DPA72*<br>DPA73*           |
| 90                | 540                  | 450   | 360   | 120                     | 7½                 | 20       | 30       | 50           | 2<br>3      | DPA92*<br>DPA93*           |
| 120               | 720                  | 600   | 480   | 120                     | 7½                 | 20       | 30       | 50           | 2<br>3      | DPA122*<br>DPA123*         |
| 132               | 800                  | 800   | 520   | 132                     | ....               | ....     | ....     | ....         | 3           | SYD138*                    |
| 220               | 1500                 | 1500  | 1200  | 220                     | ....               | ....     | ....     | ....         | 3           | SYD230*                    |
| 352               | 2200                 | 2200  | 1800  | 352                     | ....               | ....     | ....     | ....         | 3           | SYD368*                    |

■ Above 240 volts, all lines must be switched.



Type DP32V02  
2-Pole



Type DPA33V02  
3-Pole

### Coil Voltage Codes

| Voltage |       | Code Type DP, DPA | Code Type DPA122, DPA123, SYD |
|---------|-------|-------------------|-------------------------------|
| 60 Hz   | 50 Hz |                   |                               |
| 24      | 24    | V14               | V12▲                          |
| 24      | ...   | ...               | V01▼                          |
| 120     | 110   | V02               | V02                           |
| 208     | ...   | ...               | V08                           |
| 208-240 | 220   | V09               | ...                           |
| 230-240 | 220   | ...               | V03                           |
| 277     | ...   | V04               | V04                           |
| 480     | 440   | V06               | V06                           |
| 600     | 550   | V07♦              | V07                           |

▲ 24 V 50 Hz only.

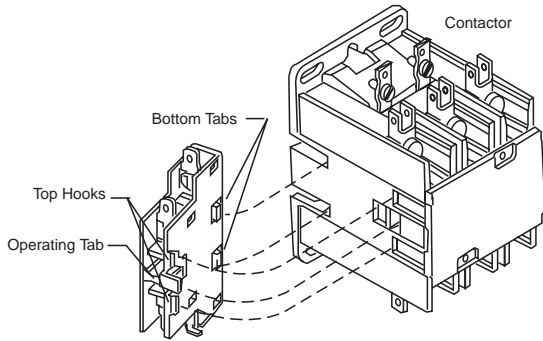
▼ Available on Types DPA122, DPA123, and SYD138 only.

♦ Not available for Type DP one- and two-pole devices.



# Definite Purpose Contactors

## Class 8910 — Types DP, DPA and SYD Application Data



**Auxiliary Contact Installation**

### 2 Normally Open and 2 Normally Closed 4-Pole Contactors – 600 Vac Maximum

| Full Load Amperes | Resistive Load Amperes | N.O. Poles | N.C. Poles★ | Class 8910 |      |
|-------------------|------------------------|------------|-------------|------------|------|
|                   |                        |            |             | Type       | Form |
| 20                | 25                     | 2          | 2           | DPA14*     | Y392 |
| 25                | 35                     | 2          | 2           | DPA24*     | Y392 |
| 30                | 40                     | 2          | 2           | DPA34*     | Y392 |
| 40                | 50                     | 2          | 2           | DPA44*     | Y392 |

\* Voltage code must be specified to order this product. Refer to standard voltage codes listed in Coil Voltage Code Table.

■ Above 240 volts, all lines must be switched.

★ N.C. poles on outside. N.C. poles "open" before N.O. poles "close."

### Auxiliary Contacts

| For Use with Class 8910 Type | Contact Arrangement                           | Class 9999 Type          |
|------------------------------|---|--------------------------|
| DPA                          | 1 N.O.<br>1 N.C.<br>1 N.O. & 1 N.C.<br>2 N.O. | D10<br>D01<br>D11<br>D20 |
| DPA122<br>DPA123<br>SYD      | 1 N.O.<br>1 N.C.<br>1 N.O. & 1 N.C.           | SX6<br>SX7<br>SX8        |

### NEMA Type 1 General Purpose Enclosures for Type DP and DPA Contactors

| Class 8910 Type | Full Load Amperes | Poles      | Class 9991 Type |
|-----------------|-------------------|------------|-----------------|
| DP              | 20-40             | 1 & 2      | DPG1            |
| DPA             | 20-40             | 2 & 3      | DPG1            |
| DPA             | 50<br>20-40       | 2 & 3<br>4 | DPG2            |
| DPA             | 60-75             | 2 & 3      | DPG3            |
| DPA             | 90-120            | 2 & 3      | DPG4            |

### Application Data

Mechanical Life: 500,000 operations

Electrical Life:  
Type DP 100,000 operations  
Type DPA, SYD 200,000 operations

Duty Cycle: Continuous

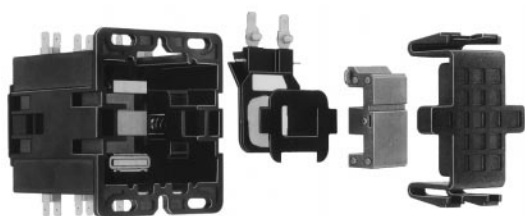
Approvals:  
UL Listed File E42240, CCN NLDX  
CSA Certified File LR25490, Class 3211 04



# Definite Purpose Contactors

## Types DP, DPA and SYD Application Data — Class 8910

### Coil Replacement



No tools required

### Class 8910 Type DPA Replacement Coils

| Full Load Amperes | Poles | Class 9998 Type | Volt Amperes† |        |
|-------------------|-------|-----------------|---------------|--------|
|                   |       |                 | Inrush        | Sealed |
| 20-40 A           | 2 & 3 | DA1V*           | 56            | 6      |
| 20-40 A           | 4     | DA2V*           | 109           | 10     |
| 50-60 A           | 2 & 3 | DA2V*           | 109           | 10     |
| 75-90 A           | 2 & 3 | DA3V*           | 214           | 19     |

\* Replace asterisk with suffix from DPA Coil Table, shown below. Example: Coil for Class 8910 DPA33V02 120 volt 60 Hz would be a Class 9998 Type DA1V02.

† For Types DP11 thru DP32: Inrush 30 VA; Sealed 5 VA. Coils are not replaceable.

### Type DPA Coil Table

| Voltage, 60 Hz | Voltage, 50 Hz | Voltage Code |
|----------------|----------------|--------------|
| 24             | 24             | V14          |
| 120            | 110            | V02          |
| 208-240        | 220            | V09          |
| 277            | ...            | V04          |
| 480            | 440            | V06          |
| 600            | 550            | V07▲         |

▲ Available for Type DPA contactors only.

| Full Load Amperes | Power Terminals |                             |
|-------------------|-----------------|-----------------------------|
|                   | Type of Lug     | Wire Sizes† Minimum-Maximum |
| 20-30 A           | Binder Head     | #14-#8                      |
| 40 A              | Box Lug         | #14-#6                      |
| 50-60 A           | Box Lug         | #14-#2                      |
| 75-90 A           | Box Lug         | #14-#1/O                    |
| 120 A             | Box Lug         | #14-#1/O                    |
| 132 A             | Box Lug         | #8-350 MCM                  |
| 220 A             | Box Lug         | #8-350 MCM                  |
| 352 A             | Box Lug         | #4-500 MCM                  |

† Solid or stranded copper wire only.

### Miscellaneous Parts

| Description                     | Class 9999 Type |
|---------------------------------|-----------------|
| DIN mounting bracket attachment | DMB1            |

### Factory Modifications

Auxiliary contacts can be factory installed along with a DIN mounting bracket option. Special terminations are also available.

| Modification                                | Form |
|---|------|
| Factory installed auxiliary contacts        | ●    |
| Pressure wire connectors (20 - 30 Amp)      | Y122 |
| Box lugs (20 - 30 Amp)                      | Y124 |
| DIN mounting bracket attached (35mm style)■ | Y135 |

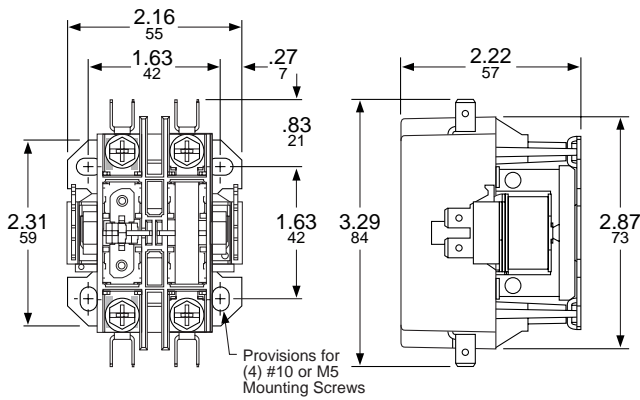
● Contact your local Square D office.

■ Available for 20 through 60 Amp only.

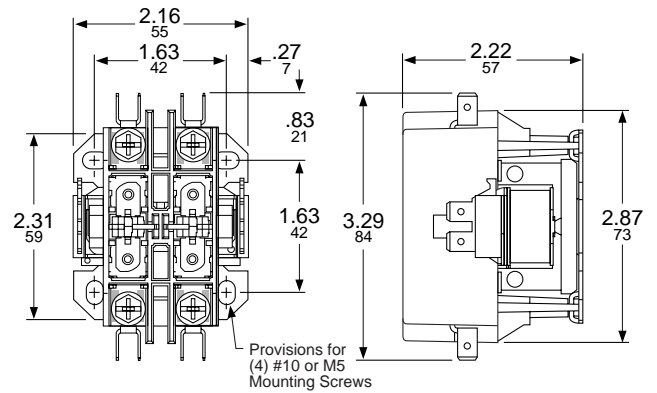


# Definite Purpose Contactors

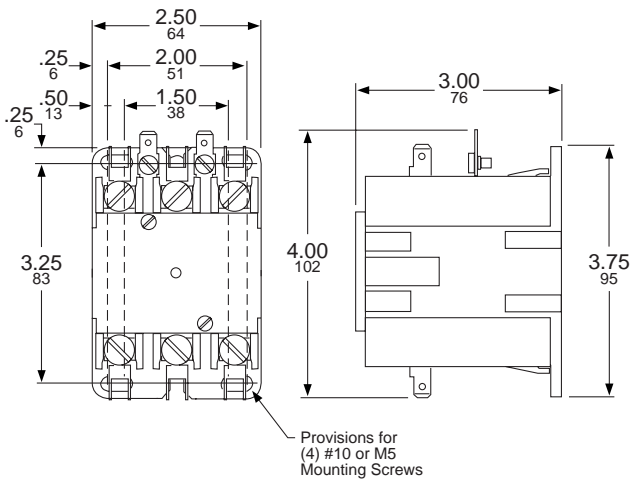
## Class 8910 — Types DP, DPA and SYD Approximate Dimensions



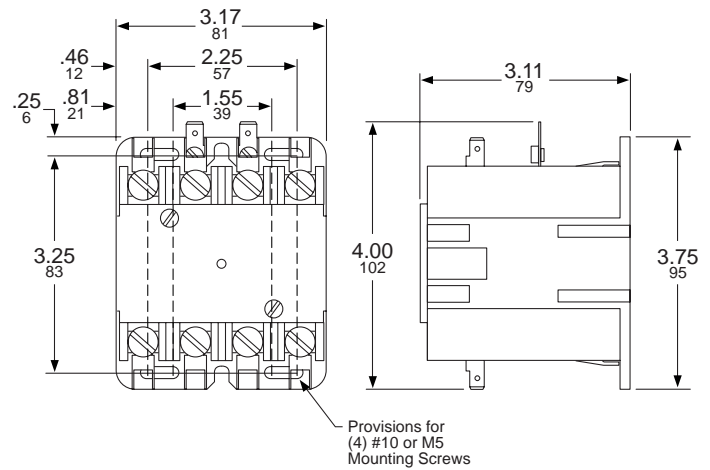
**Type DP — 1-Pole**  
20 thru 30 Full Load Amps



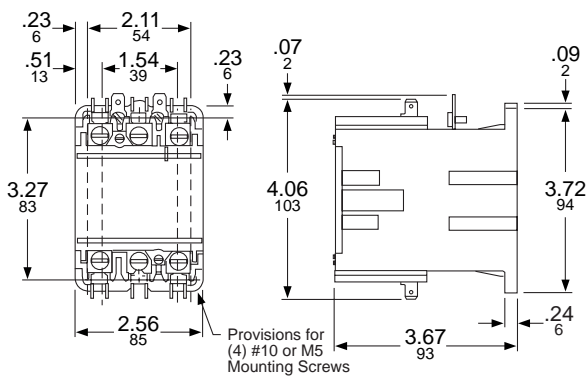
**Type DP — 2-Pole**  
20 thru 40 Full Load Amps



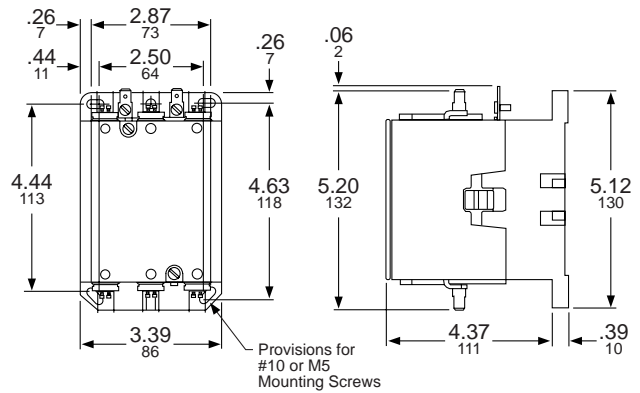
**Type DPA — 2 and 3-Pole**  
20 thru 40 Full Load Amps



**Type DPA — 4-Pole**  
20 thru 40 Full Load Amps



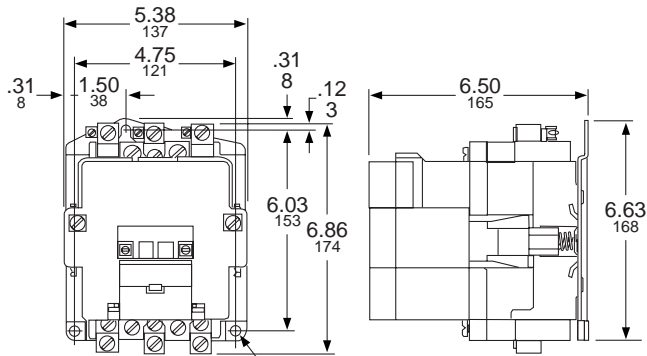
**Type DPA — 2 and 3-Pole**  
50 and 60 Full Load Amps



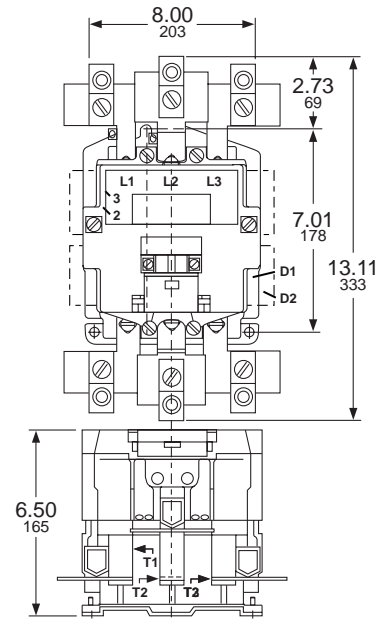
**Type DPA — 2 and 3-Pole**  
75 and 90 Full Load Amps

# Definite Purpose Contactors

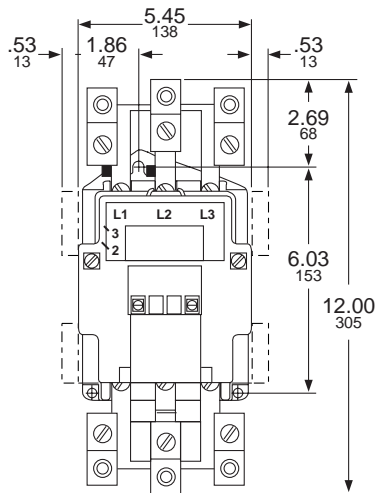
## Types DP, DPA and SYD Approximate Dimensions — Class 8910



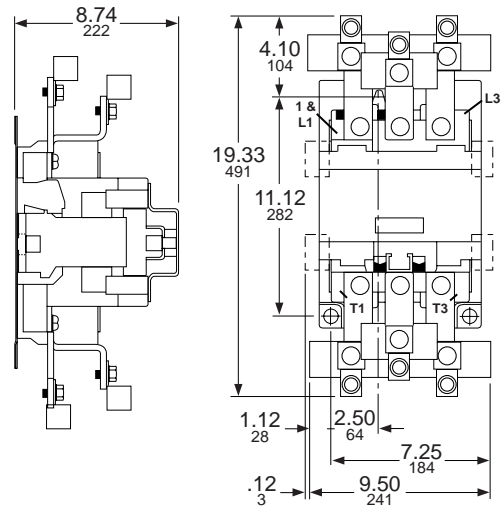
**Type DPA**  
120 Full Load Amps



**Type SYD230**  
220 Full Load Amps



**Type SYD138**  
132 Full Load Amps

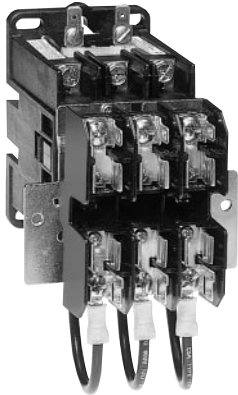


**Type SYD368**  
352 Full Load Amps



# Definite Purpose Contactors

## Class 8910 — Type DPA Fusible



Type DPA23V02  
Form DFM1

The Type DPA fusible contactor provides an integrally mounted fuse block with fuse clips electrically connected to the contactor. This factory assembled unit not only provides space savings but reduces installation cost as well, with only six field connections for a three pole unit and featuring one unit for two functions, i.e., short circuit protection for branch circuits and remote or manual power circuit interruption. The fusible contactor thus meets the provisions of the National Electric Code, Article 424 for overcurrent protection as well as limit controls for fixed electric space heating.

By a unique fuse clip arrangement, these devices can accommodate a variety of fuses for other electrical or electronic applications. This fused cover will accommodate the Type SC 300 volt fuse which is UL approved under Type G as well as the standard 1<sup>3</sup>/<sub>32</sub>" by 1<sup>1</sup>/<sub>2</sub>" fuses.

Only UL Listed, Class G, K, H or J fuses meet branch circuit requirements when applied in accordance with NEC Article 240. Supplementary fuses shown may be used for additional equipment protection as defined in NEC 240-30. Consult manufacturer of selected fuse for proper application.

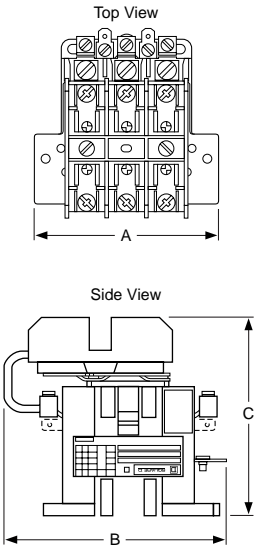
### Selection Process

1. Determine the contactor ampere size required and coil voltage
2. Choose the appropriate fuse block and form from the table below.

Example: Class 8910 Type DPA33V02 Form DFG1

### Fuse Block Selection Table

| Type<br>DPA13, 23, 33, 43<br>Form | Fuse Holder Description   | Approximate Outer Dimensions |     |      |     |      |     |
|-----------------------------------|---|------------------------------|-----|------|-----|------|-----|
|                                   |   | A                            |     | B    |     | C    |     |
|                                   |   | IN                           | mm  | IN   | mm  | IN   | mm  |
| DFC1                              | Class CC, 3 A, 600 V, 1 <sup>3</sup> / <sub>32</sub> x 1 <sup>1</sup> / <sub>2</sub>    | 3.60                         | 91  | 5.90 | 150 | 4.60 | 117 |
| DFG1                              | Class G, 60 A, 480 V, 1 <sup>3</sup> / <sub>32</sub> x 2 <sup>1</sup> / <sub>4</sub>    | 3.60                         | 91  | 6.10 | 155 | 4.70 | 119 |
| DFG2                              | Class G, 25-30 A, 480 V, 1 <sup>3</sup> / <sub>32</sub> x 1 <sup>5</sup> / <sub>8</sub> | 3.60                         | 91  | 5.90 | 150 | 4.50 | 114 |
| DFH1                              | Class H or K, 30 A, 250 V, 9/ <sub>16</sub> x 2   | 3.60                         | 91  | 5.90 | 150 | 4.70 | 119 |
| DFH2                              | Class H or K, 60 A, 250 V, 1 <sup>3</sup> / <sub>16</sub> x 3                           | 4.20                         | 107 | 6.60 | 168 | 5.30 | 135 |
| DFJ1                              | Class J, 30 A, 600 V, 1 <sup>3</sup> / <sub>16</sub> x 2 <sup>1</sup> / <sub>4</sub>    | 3.60                         | 91  | 5.90 | 150 | 5.20 | 132 |
| DFJ2                              | Class J, 60 A, 600 V, 1 <sup>1</sup> / <sub>16</sub> x 2 <sup>3</sup> / <sub>8</sub>    | 4.70                         | 119 | 6.00 | 152 | 5.30 | 135 |
| DFM1                              | Class M, 30 A, 600 V, 1 <sup>3</sup> / <sub>32</sub> x 1 <sup>1</sup> / <sub>2</sub>    | 3.60                         | 91  | 5.90 | 150 | 4.60 | 117 |
| DFR1                              | Class R, 30 A, 250 V, 9/ <sub>16</sub> x 2  | 3.60                         | 91  | 6.00 | 152 | 4.70 | 119 |
| DFR2                              | Class R, 60 A, 250 V, 1 <sup>3</sup> / <sub>16</sub> x 3                                | 4.20                         | 107 | 6.60 | 168 | 5.30 | 135 |
| DFT1                              | Class T, 30 A, 300 V, 9/ <sub>16</sub> x 7/ <sub>8</sub>                                | 3.60                         | 91  | 5.90 | 150 | 4.50 | 114 |
| DFT2                              | Class T, 60 A, 300 V, 9/ <sub>16</sub> x 7/ <sub>8</sub>                                | 3.60                         | 91  | 5.90 | 150 | 4.50 | 114 |
| DFT3                              | Class T, 30 A, 600 V, 9/ <sub>16</sub> x 7/ <sub>8</sub>                                | 4.70                         | 119 | 6.10 | 155 | 4.50 | 114 |
| DFT4                              | Class T, 60 A, 600 V, 1 x 1 <sup>1</sup> / <sub>16</sub>                                | 4.70                         | 119 | 5.90 | 150 | 4.50 | 114 |

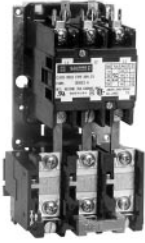


### EBC Conversion to DPA Form DF

| Rowan EBC Option | Fuse Amperes | Max. Volts | Fuse Dimensions  | Fuse Class | Type DPA Form |
|------------------|--------------|------------|--|------------|---------------|
| -20              | 30           | 600        | 1 <sup>3</sup> / <sub>32</sub> x 1 <sup>1</sup> / <sub>2</sub> | M          | DFM1          |
| -21              | 30           | 480        | 1 <sup>3</sup> / <sub>32</sub> x 1 <sup>5</sup> / <sub>8</sub> | G          | DFG2          |
| -22              | 60           | 480        | 1 <sup>3</sup> / <sub>32</sub> x 2 <sup>1</sup> / <sub>4</sub> | G          | DFG1          |
| -23              | 30           | 600        | 1 <sup>3</sup> / <sub>32</sub> x 1 <sup>1</sup> / <sub>2</sub> | M          | DFM1          |
| -24              | 30           | 480        | 1 <sup>3</sup> / <sub>32</sub> x 1 <sup>5</sup> / <sub>8</sub> | G          | DFG2          |
| -25              | 60           | 480        | 1 <sup>3</sup> / <sub>32</sub> x 2 <sup>1</sup> / <sub>4</sub> | G          | DFG1          |
| -70              | 30           | 250        | 9/ <sub>16</sub> x 2   | H, K       | DFH1          |
| -71              | 60           | 250        | 1 <sup>3</sup> / <sub>16</sub> x 3                             | H, K       | DFH2          |
| -72              | 30           | 600        | 1 <sup>3</sup> / <sub>16</sub> x 2 <sup>1</sup> / <sub>4</sub> | J          | DFJ1          |
| -73              | 60           | 600        | 1 <sup>1</sup> / <sub>16</sub> x 2 <sup>3</sup> / <sub>8</sub> | J          | DFJ2          |
| -74              | 30           | 250        | 9/ <sub>16</sub> x 2   | H, K       | DFH1          |
| -75              | 60           | 250        | 1 <sup>3</sup> / <sub>16</sub> x 3                             | H, K       | DFH2          |
| -76              | 30           | 600        | 1 <sup>3</sup> / <sub>16</sub> x 2 <sup>1</sup> / <sub>4</sub> | J          | DFJ1          |
| -77              | 60           | 600        | 1 <sup>1</sup> / <sub>16</sub> x 2 <sup>3</sup> / <sub>8</sub> | J          | DFJ2          |
| -78              | 30           | 600        | 1 <sup>3</sup> / <sub>16</sub> x 5                             | NA         | NA            |
| -79              | 60           | 600        | 1 <sup>1</sup> / <sub>16</sub> x 5 <sup>1</sup> / <sub>2</sub> | NA         | NA            |
| -80              | 30           | 600        | 1 <sup>3</sup> / <sub>16</sub> x 5                             | NA         | NA            |
| -81              | 60           | 600        | 1 <sup>1</sup> / <sub>16</sub> x 5 <sup>1</sup> / <sub>2</sub> | NA         | NA            |



## Definite Purpose Starters Types DPS and H through M — Class 8911



Type DPSO23V02



Type DPSG23V02

Class 8911 definite purpose starters are inexpensive starters for applications with relatively low duty cycles. Typical applications include air compressors, agricultural equipment, pumps and HVAC equipment. Definite purpose starters offer:

- Low Cost
- Small Size
- Melting Alloy Overload Block
- Trip Free Reset Mechanism
- Open Type or Enclosed
- 500,000 Mechanical Operations

### 2, 3, and 4-Pole Starters – 600 Vac Maximum

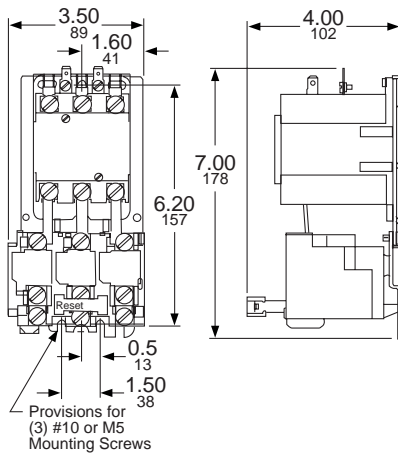
| Number of Poles             | Full Load Amperes | Horsepower Ratings |          |          |              | Locked Rotor Amperes |       |         | Open Type | NEMA Type 1 Enclosed | Number of Thermal Units▲ |
|-----------------------------|-------------------|--------------------|----------|----------|--------------|----------------------|-------|---------|-----------|----------------------|--------------------------|
|                             |                   | 115 V 1Ø           | 230 V 1Ø | 230 V 3Ø | 460/575 V 3Ø | 230 V                | 460 V | 575 V   | Type◆     | Type◆                |                          |
| Compact 2-Pole Single Phase | 20                | 1                  | 2        | .....    | .....        | 120                  | 100   | 80      | DSO12*    | DSG12*               | 1                        |
|                             | 25                | 2                  | 3        | .....    | .....        | 150                  | 125   | 100     | DSO22*    | DSG22*               |                          |
|                             | 30                | 2                  | 5        | .....    | .....        | 180                  | 150   | 120     | DSO32*    | DSG32*               |                          |
| 2-Pole Single Phase         | 20                | 1                  | 2        | .....    | .....        | 120                  | 100   | 80      | DPSO12*   | DPSG12*              | 1                        |
|                             | 25                | 2                  | 3        | .....    | .....        | 150                  | 125   | 100     | DPSO22*   | DPSG22*              |                          |
|                             | 30                | 2                  | 5        | .....    | .....        | 180                  | 150   | 120     | DPSO32*   | DPSG32*              |                          |
|                             | 40                | 3                  | 7½       | .....    | .....        | 240                  | 200   | 160     | DPSO42*   | DPSG42*              |                          |
|                             | 50                | 3                  | 10       | .....    | .....        | 300                  | 250   | 200     | DPSO52*   | DPSG52*              |                          |
| 3-Pole Poly-Phase           | 20                | 1                  | 2        | 5        | 7½           | 120                  | 100   | 80      | DPSO13*   | DPSG13*              | 3                        |
|                             | 25                | 2                  | 3        | 7½       | 10           | 150                  | 125   | 100     | DPSO23*   | DPSG23*              |                          |
|                             | 30                | 2                  | 5        | 10       | 15           | 180                  | 150   | 120     | DPSO33*   | DPSG33*              |                          |
|                             | 40                | 3                  | 7½       | 10       | 20           | 240                  | 200   | 160     | DPSO43*   | DPSG43*              |                          |
|                             | 50                | 3                  | 10       | 15       | 30           | 300                  | 250   | 200     | DPSO53*   | DPSG53*              |                          |
|                             | 60                | 5                  | 10       | 20       | 40           | 360                  | 300   | 240     | DPSO63*   | DPSG63*              |                          |
|                             | 75                | 5                  | 15       | 25       | 50           | 450                  | 375   | 300     | DPSO73*   | DPSG73*              |                          |
| 90                          | 7½                | 15                 | 30       | 60       | 540          | 450                  | 360   | DPSO93* | DPSG93*   |                      |                          |

▲ See instruction sheet for selection information.

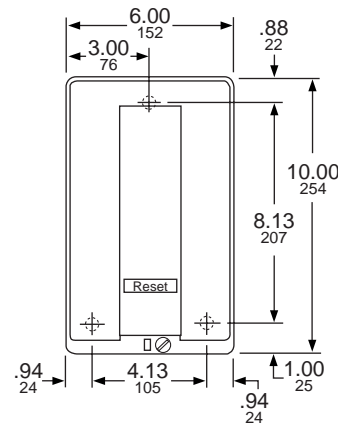
◆ Holding circuit contacts are not provided as standard; refer to table on Page 9.

\* Voltage code must be specified to order this product. Refer to standard voltage codes listed below.

### Approximate Dimensions



**Type DPSO – 2 and 3-Pole  
20 - 50 Full Load Amps**



**Type DPSG – 2 and 3-Pole  
20 - 40 Full Load Amps**



## Definite Purpose Starters Class 8911 — Types DPS and H through M

### Cross Reference Existing/Replacement Class 8911

| Existing Device | Replacement Device |
|-----------------|--------------------|
| HO33            | DPSO13             |
| HG33            | DPSG13             |
| JO33            | DPSO23             |
| JG33            | DPSG23             |
| KO33            | DPSO33             |
| KG33            | DPSG33             |
| KO43            | •                  |
| KG43            | •                  |
| LO33            | DPSO43             |
| LG33            | DPSG43             |
| MO33            | DPSO53             |
| MG33            | DPSG53             |
| MO43            | •                  |
| MG43            | •                  |

• Type DPS 4-Pole starter not available. Suggest 3-Pole device with auxiliary contact.

### Miscellaneous Parts and Kits

| Description  | Class & Type |
|--|--------------|
| Start-Stop push button kit♦                          | 8911 DPB1    |
| Hand-Off-Auto selector switch kit♦                   | 8911 DSS1    |
| Standard N.C. overload relay contact                 | 9998 SO1     |
| N.C. and N.O. isolated overload relay alarm contacts | 9999 SO4     |
| Overload relay jumper strap                          | 9998 SO31    |

♦ Use for 20 to 40 amp starters; for larger sizes, contact your local Square D office.

### Class 8911 Replacement Coils

| Full Load Amperes | Poles | Class 9998 Type | Volt Amperes |        |
|-------------------|-------|-----------------|--------------|--------|
|                   |       |                 | Inrush       | Sealed |
| 20-40 A           | 2 & 3 | DA1*            | 56           | 6      |
| 50-60 A           | 2 & 3 | DA2*            | 109          | 10     |
| 75-90 A           | 2 & 3 | DA3*            | 214          | 19     |

\* Replace asterisk with Voltage Code from the Coil Table shown below.

### Coil Table

| Voltage, 60 Hz | Voltage, 50 Hz | Voltage Code |
|----------------|----------------|--------------|
| 24             | 24             | V14          |
| 120            | 110            | V02          |
| 208-240        | 220            | V09          |
| 277            | ...            | V04          |
| 480            | 440            | V06          |
| 600            | 550            | V07          |

### Auxiliary Contacts For Type DPS Starters■

| Description   | Class 9999 |
|---------------|------------|
| 1 N.O.        | D10        |
| 1 N.C.        | D01        |
| 1 N.O./1 N.C. | D11        |
| 2 N.O.        | D20        |

■ Auxiliary contacts are available factory installed. Consult local Square D Field Sales Office.

### Ratings – Overload Contacts and Auxiliary Contacts

| Device  | Volts AC    | Pilot Duty – AC Only (35% Power Factor) |               | Continuous Current Rating |
|---|-------------|---|---------------|---------------------------|
|   |             | Make                                    | Carry & Break |                           |
| 9998 SO1<br>9999 SO4                          | 120 or Less | 30 Amps                                 | 3 Amps        | 5 Amps                    |
| 9999 R20 & R21<br>9999 D10, D01,<br>D11 & D20 | 120-600     | 3600 VA                                 | 360 VA        | 5 Amps                    |



# Definite Purpose Starters

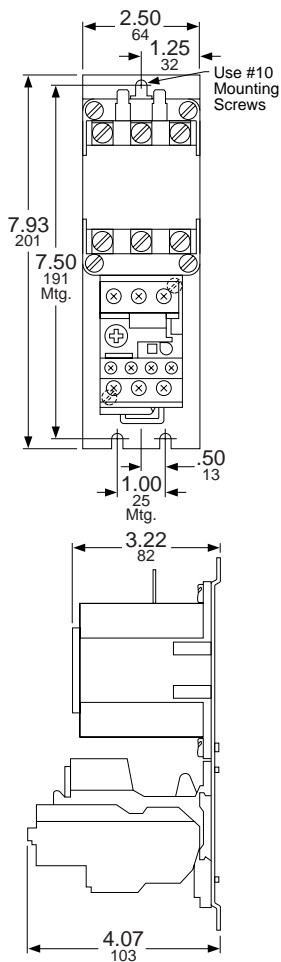
## Types DPS with Adjustable Bimetallic Overload Relays — Class 8911

Class 8911 definite purpose starters are inexpensive starters for applications with relatively low duty cycles. Typical applications include air compressors, agricultural equipment, pumps, and HVAC equipment. Definite purpose starters offer:

- Ambient Temperature Compensated
- Adjustable Current Setting
- Class 10 or Class 20 Trip Rating
- Hand or Automatic Reset
- Single Phase Sensitivity
- No Separate Heaters Required
- 500,000 Mechanical Operations
- Open Type Only



**Type DPS033V02  
Form DB18**



### 2 and 3-Pole Starters – 600 Vac Maximum

| Number of Poles     | Full Load Amperes | Horsepower Ratings |          |          |              | Locked Rotor Amperes |       |       | Open Type |
|---------------------|-------------------|--------------------|----------|----------|--------------|----------------------|-------|-------|-----------|
|                     |                   | 115 V 1Ø           | 230 V 1Ø | 230 V 3Ø | 460/575 V 3Ø | 230 V                | 460 V | 575 V |           |
| 2-Pole Single Phase | 20                | 1                  | 2        | –        | –            | 120                  | 100   | 80    | DPSO12▲   |
|                     | 25                | 2                  | 3        | –        | –            | 150                  | 125   | 100   | DPSO22▲   |
|                     | 30                | 2                  | 5        | –        | –            | 180                  | 150   | 120   | DPSO32▲   |
|                     | 40                | 3                  | 5        | –        | –            | 240                  | 200   | 160   | DPSO42▲   |
|                     | 50                | 3                  | 7½       | –        | –            | 300                  | 250   | 200   | DPSO52▲   |
|                     | 60                | 5                  | 10       | –        | –            | 360                  | 300   | 240   | DPSO62▲   |
| 3-Pole Polyphase    | 20                | 1                  | 2        | 5        | ½            | 120                  | 100   | 80    | DPSO13▲   |
|                     | 25                | 2                  | 3        | 7½       | 10           | 150                  | 125   | 100   | DPSO23▲   |
|                     | 30                | 2                  | 5        | 10       | 15           | 180                  | 150   | 120   | DPSO33▲   |
|                     | 40                | 3                  | 5        | 10       | 20           | 240                  | 200   | 160   | DPSO43▲   |
|                     | 50                | 3                  | 7½       | 15       | 30           | 300                  | 250   | 200   | DPSO53▲   |
|                     | 60                | 5                  | 10       | 20       | 30           | 360                  | 300   | 240   | DPSO63▲   |

▲ Voltage code and overload relay form must be specified to order this product  
Refer to standard voltage codes and overload relay forms listed below and insert as shown in HOW TO ORDER block.

### Overload Relays Forms for Definite Purpose Starters

| Motor Full Load Current Range (A) | For Use with Starter Type DPSO | For Class 10 Overload |                | For Class 20 Overload |                | Minimum Enclosure Size■ |   |
|-----------------------------------|--------------------------------|-----------------------|----------------|-----------------------|----------------|-------------------------|---|
|                                   |                                | Form                  | Overload Relay | Form                  | Overload Relay |                         |   |
| 0.1-0.16                          | 20 A-40 A                      | DB.16F                | LR2D1301       | –                     | NA             | A                       |   |
| 0.16-0.25                         |                                | DB.25F                | LR2D1302       | –                     | NA             | A                       |   |
| 0.25-0.40                         |                                | DB.40F                | LR2D1303       | –                     | NA             | A                       |   |
| 0.40-0.63                         |                                | DB.63F                | LR2D1304       | –                     | NA             | A                       |   |
| 0.63-1                            |                                | DB1F                  | LR2D1305       | –                     | NA             | A                       |   |
| 1-1.6                             |                                | DB1.6F                | LR2D1306       | –                     | NA             | A                       |   |
| 1.6-2.5                           |                                | DB2.5F                | LR2D1307       | –                     | NA             | A                       |   |
| 2.5-4                             |                                | DB4F                  | LR2D1308       | DB4                   | LR2D1508       | A                       |   |
| 4-6                               |                                | DB6F                  | LR2D1310       | DB6                   | LR2D1510       | A                       |   |
| 5.5-8                             |                                | DB8F                  | LR2D1312       | DB8                   | LR2D1512       | A                       |   |
| 7-10                              |                                | DB10F                 | LR2D1314       | DB10                  | LR2D1514       | A                       |   |
| 9-13                              |                                | DB13F                 | LR2D1316       | DB13                  | LR2D1516       | A                       |   |
| 12-18                             |                                | DB18F                 | LR2D1321       | DB18                  | LR2D1521       | A                       |   |
| 17-25                             |                                | 25 A-40 A             | DB25F          | LR2D1322              | DB25           | LR2D1522                | A |
| 23-30                             |                                | 40 A                  | DB30F          | LR2D2353              | DB30           | LR2D2553                | A |
| 28-36                             |                                |                       | DB36F          | LR2D2355              | –              | NA                      | A |
| 30-37                             | DB37F                          |                       | LR2D3355       | DB37                  | LR2D3555       | B                       |   |
| 37-48                             | 50 A                           |                       | DB48F          | LR2D3357              | DB48           | LR2D3557                | B |
| 48-60                             | 60 A                           | DB60F                 | LR2D3359       | DB60                  | LR2D3559       | B                       |   |

■ Minimum recommended enclosure dimensions: A=10"H x 6.75"W x 6.25"D, B=14"H x 10.5"W x 7.25"D.



# Definite Purpose Starters

## Class 8911 — Types DPS with Adjustable Bimetallic Overload Relays

### Auxiliary Contacts for Type DPS Starters

| Description   | Factory Installed FORM | Class 9999 Type |
|---------------|------------------------|-----------------|
| 1 N.O.        | X10                    | D10             |
| 1 N.C.        | X01                    | D01             |
| 1 N.O./1 N.C. | X11                    | D11             |
| 2 N.O.        | X20                    | D20             |

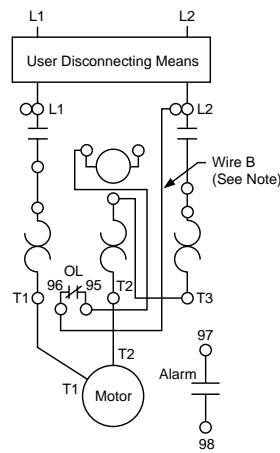
### How to Order:

| To Order Specify:   |       | Catalog Number |                   |           |
|---|-------|----------------|-------------------|-----------|
| <ul style="list-style-type: none"> <li>● Class Number</li> <li>● Type Number</li> <li>● Voltage Code or Voltage</li> <li>● Forms</li> </ul> | Class | Type           | Coil Voltage Code | Form(s)   |
|   | 8911  | DPS012         | V02               | DB1.6FX10 |

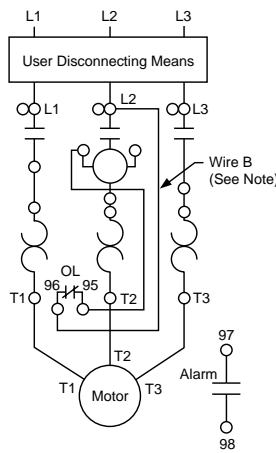
### Coil Voltage Codes

| Volts   |       | Voltage Code |
|---------|-------|--------------|
| 60 Hz   | 50 Hz |              |
| 24      | 24    | V14          |
| 120     | 110   | V02          |
| 208-240 | 220   | V09          |
| 277     | -     | V04          |
| 480     | 440   | V06          |
| 600     | 550   | V07          |

Single-Phase 2-Wire System

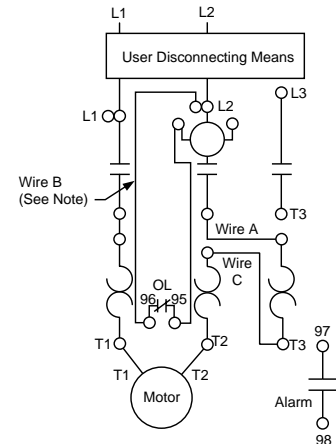


Three-Phase 3-Wire System



NOTE: Wire "B" is omitted on starters with coils of 120 V or less.

Three-Phase Starter Wired to Control a Single-Phase Motor



Remove power jumpers connecting contactor T2 and T3 to overload L2 and L3. Install power wires "A" and "C" (provided by user).

# Definite Purpose Contactors

## Reversing Hoist, Type DPR — Class 8965



Type DPR23V02

Class 8965 Type DPR reversing/hoist contactors are designed for the control of motors in hoists, overhead doors, small elevators, commercial laundry equipment, and other related products which use reversing motors. They are rated to perform in the short periods of jogging experienced in hoist service.

The coils are designed to operate on line voltages of 85% to 110% of rated voltage, and are for applications at 50 or 60 Hz only. Coils are easily replaced with external base removed.

Auxiliary contacts may be easily field-added to any Class 8965 reversing contactor. Type DPR contactors accept one auxiliary contact module with up to two isolated circuits per side (two modules per device). When auxiliary contacts are ordered separately, two modules are normally used for each device; one for forward, one for reverse.

Approvals: UL Listed – File E42240, CCN NLDX  
CSA Certified – File LR25490, Class 3211 04

### Reversing/Hoist Contactors – 600 Volts AC Maximum

| No. of Poles      | Horsepower Ratings▲ |          |          |              | Open Type Type | Replacement Coil♦ |
|-------------------|---------------------|----------|----------|--------------|----------------|-------------------|
|                   | 115 V 1Ø            | 230 V 1Ø | 230 V 3Ø | 460/575 V 3Ø |                |                   |
| 3-Pole Poly-Phase | 1                   | 2        | 3        | 5            | DPR13*         | DA1*              |
|                   | 2                   | 3        | 7½       | 10           | DPR23*         | DA1*              |
|                   | 2                   | 5        | 10       | 15           | DPR33*         | DA1*              |
|                   | 3                   | 7½       | 15       | 20           | DPR43*         | DA1*              |
|                   | 3                   | 10       | 15       | 30           | DPR53*         | DA2*              |
| 4-Pole Poly-Phase | 2                   | 3        | 7½       | 10           | DPR34*         | DA2*              |
|                   | 3                   | 7½       | 10       | 20           | DPR44*         | DA2*              |
|                   |                     |          |          |              |                |                   |

### Coil Voltage Codes

| Volts, 60 Hz | Volts, 50 Hz | Voltage Code |
|--------------|--------------|--------------|
| 24           | 24           | V14          |
| 120          | 110          | V02          |
| 208-240      | 220          | V09          |
| 277          | –            | V04          |
| 480          | 440          | V06          |
| 600          | 550          | V07          |

- ▲ For rapid operation (jogging duty), use the next larger size contactor.
- ♦ Order two replacement coils for reversing contactors.
- \* Voltage code must be specified to order this product. Refer to standard voltage codes listed to the left.

### Auxiliary Contacts Separate Module†

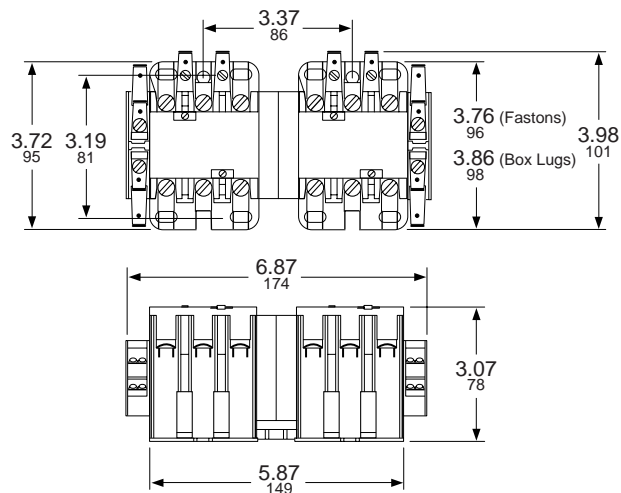
| Description   | Class 9999 Type |
|---------------|-----------------|
| 1 N.O.        | D10             |
| 1 N.C.        | D01             |
| 1 N.O.-1 N.C. | D11             |
| 2 N.O.        | D20             |

† Order two modules for Type DPR, one for each side.

### Factory Installed

| Description             | Form  |
|-------------------------|-------|
| 1 N.O. Each Side        | X1010 |
| 1 N.C. Each Side        | X0101 |
| 1 N.O.-1 N.C. Each Side | X1111 |
| 2 N.O. Each Side        | X2020 |

### Approximate Dimensions



# Definite Purpose Contactors

## Class 8965 — Reversing Hoist, Type R



Type RO10V02

Class 8965 Reversing Hoist Contactors meet the small space requirements found in electrical hoists, light duty cranes, door operators, and related products. They are designed to perform in the short periods of jogging experienced in hoist service. Note that these contactors must be mounted upright on the vertical plane; the contactors will not operate properly when mounted in any other position.

### Application Data

Coils           Duty: Hoist Duty-H4 Intermittent  
                   Voltage Range: AC coils only +10%, -15% of nominal

Burden         Inrush 76 VA, Sealed 27 VA

### Approvals

UL Component Recognized ..... File E78351, CCN NLDX2  
 CSA Certified .....File LR60905, Class 3211 04

### AC Reversing/Hoist Contactors – 600 Volts AC Maximum

| Number of Poles  | Horsepower Ratings |          |          |              | Power Terminals | With▲ Jumper Straps | Without▲ Jumper Straps |
|------------------|--------------------|----------|----------|--------------|-----------------|---------------------|------------------------|
|                  | 115 V 1Ø           | 230 V 1Ø | 230 V 3Ø | 460/575 V 3Ø |                 | Open Type           | Open Type              |
| 3-Pole Polyphase | 1                  | 1-1/2    | 3        | 3            | Quick Connect   | RO10*               | RO11*                  |
|                  |                    |          |          |              | Pressure Wire■  | RO12*               | RO13*                  |

▲ Jumper straps connect the line side power terminals of the same phase between the forward (up) and reverse (down) contactors in common; ie L1 to L1, L2 to L2 and L3 to L3.

■ Coils rated 120 Vac or less are supplied with quick connect terminals only.

\* Voltage code must be specified to order this product. Refer to standard voltage codes shown in the Coil Table below.

### Miscellaneous Hoist Contactor Kits

| For Use with Class 8965      |       | Description     | Class                             | Type |
|------------------------------|-------|-----------------|-----------------------------------|------|
| Type                         | Forms |                 |                                   |      |
| RO10<br>RO11<br>RO12<br>RO13 | All   | Armature Kit    | 9998                              | RP1  |
|                              |       | Contact Carrier | Order as Part Number 31002-060-50 |      |

★ CP10 Discount Schedule.

### Auxiliary Contacts Separate Module

| Description      | Terminals     | Class 9999 Type |
|------------------|---------------|-----------------|
| 1 N.O. Each Side | Quick Connect | R10             |
|                  | Screw         | R12             |
| 1 N.C. Each Side | Quick Connect | R11             |
|                  | Screw         | R13             |

### Coil Table

| Voltage 60 Hz | Voltage 50 Hz | Voltage Code | Replacement Part Number |
|---------------|---------------|--------------|-------------------------|
| 24            | —             | V01          | 31002-403-19●           |
| 120           | 110           | V02          | 31002-403-40●           |
| 208/220       | —             | V21          | 31002-400-47†           |
| 240           | 220           | V03          | 31002-400-49†           |
| 480           | —             | V28          | 31002-400-58†           |
| 600           | 550           | V07          | 31002-400-60†           |

● Tape wound coils, 2 per package.

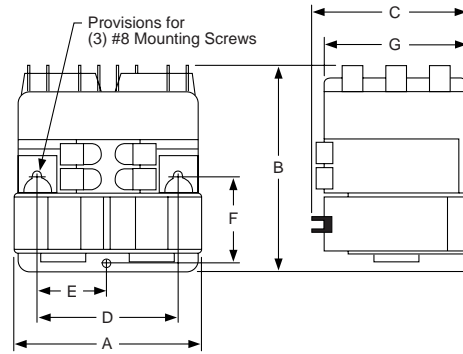
† Molded coil, 1 per package.



## Definite Purpose Contactors Reversing Hoist, Type R — Class 8965

### Approximate Dimensions (3-Poles per Contactor)

| Type     | A    |    | B    |    | C    |    | D    |    | E    |    | F    |    | G    |    |
|----------|------|----|------|----|------|----|------|----|------|----|------|----|------|----|
|          | IN   | mm | IN   | mm | IN   | mm | IN   | mm | IN   | mm | IN   | mm | IN   | mm |
| RO10, 11 | 3.31 | 84 | 3.31 | 84 | 3.03 | 77 | 2.69 | 68 | 1.34 | 34 | 1.56 | 40 | 2.66 | 68 |
| RO12, 13 | 3.31 | 84 | 3.69 | 94 | 2.69 | 68 | 2.69 | 68 | 1.34 | 34 | 1.56 | 40 | 2.66 | 68 |



### Cross Reference – Obsolete Devices

| Obsolete Device    |       | Replacement Device |      | Auxiliary Contact Required |      | Obsolete Device |       | Replacement Device |      | Auxiliary Contact Required |      |
|--------------------|-------|--------------------|------|----------------------------|------|-----------------|-------|--------------------|------|----------------------------|------|
| Class              | Type  | Class              | Type | Class                      | Type | Class           | Type  | Class              | Type | Class                      | Type |
| 8702<br>or<br>8965 | HO3   | 8965               | RO12 | —                          | —    | 8965            | RO2   | 8965               | RO10 | 9999                       | R10  |
|                    | HO4   |                    | RO12 | 9999                       | R12  |                 | RO11  |                    | 9999 | R10                        |      |
|                    | HO6   |                    | RO12 | —                          | —    |                 | RO2S1 |                    | RO10 | 9999                       | R10  |
|                    | HO7   |                    | RO12 | 9999                       | R12  |                 | RO2S2 |                    | RO10 | 9999                       | R11  |
|                    | HO8   |                    | RO12 | 9999                       | R13  |                 | RO3   |                    | RO10 | 9999                       | R11  |
|                    |       |                    | RO12 | 9999                       | R13  |                 | RO3S1 |                    | RO11 | 9999                       | R11  |
| 8965               | RG2S1 | 8965               | RO10 | 9999                       | R10  | RO3S2           | RO10  | 9999               | R11  |                            |      |
|                    | RG5S1 |                    | RO12 | 9999                       | R12  | RO3S3           | RO10  | 9999               | R11  |                            |      |
|                    | RG5S2 |                    | RO12 | 9999                       | R12  | RO4             | RO12  | —                  | —    |                            |      |
|                    | RO1   |                    | RO10 | —                          | —    | RO4S1           | RO13  | —                  | —    |                            |      |
|                    | RO1S1 |                    | RO11 | —                          | —    | RO5             | RO12  | 9999               | R12  |                            |      |
|                    | RO1S2 |                    | RO10 | —                          | —    | RO5S1           | RO13  | 9999               | R12  |                            |      |
|                    | RO1S3 |                    | RO11 | —                          | —    | RO5S2           | RO12  | 9999               | R12  |                            |      |
|                    | RO1S4 |                    | RO10 | —                          | —    | RO6             | RO12  | 9999               | R13  |                            |      |
|                    | RO1S5 |                    | RO10 | —                          | —    | RO6S1           | RO13  | 9999               | R13  |                            |      |
|                    | RO1S6 |                    | RO10 | —                          | —    | RO6S2           | RO12  | 9999               | R13  |                            |      |



## Replacement Parts Kits

### Class 9998 — Contact Kits



Class 9998 replacement parts kits are available for servicing Square D contactors. Each kit contains the necessary movable and stationary contacts, contact springs and additional hardware required to service the devices listed below. When servicing devices having more poles than contained in the corresponding kit, it may be necessary to order an additional kit.

#### Class 8965 Replacement Contact Kits

| Equipment to Be Serviced |        | Class 9998 Parts Kit<br>Type Number |
|--------------------------|--------|-------------------------------------|
| Type                     | Series |                                     |
| DPR13                    | B      | DRC1                                |
| DPR23                    | B      | DRC2                                |
| DPR33                    | B      | DRC3                                |
| DPR43                    | B      | DRC4                                |
| DPR53                    | B      | DRC5                                |
| DPR63                    | B      | DRC6                                |
| RO1-RO6                  | All    | RA88                                |
| RO10                     | All    | RA10                                |
| RO11                     | All    | RA11                                |
| RO12                     | All    | RA12                                |

#### Class 8910 Replacement Contact Kits

| Device to Be Serviced |        | 1-Pole<br>Type Number | 3-Pole<br>Type Number |
|-----------------------|--------|-----------------------|-----------------------|
| Type                  | Series |                       |                       |
| SYD138                |        | —                     | SL27                  |
| SYD230                |        | —                     | SL28                  |
| SYD368                |        | —                     | SL29                  |
| DPA1                  | B      | DRC1                  | —                     |
| DPA2                  | B      | DRC2                  | —                     |
| DPA3                  | B      | DRC3                  | —                     |
| DPA4                  | B      | DRC4                  | —                     |
| DPA5                  | A, B   | DRC5                  | —                     |
| DPA6                  | A, B   | DRC6                  | —                     |
| DPA7                  | A      | DRC7                  | —                     |
| DPA9                  | A      | DRC9                  | —                     |
| DPA123                | A      | DRC12                 | —                     |







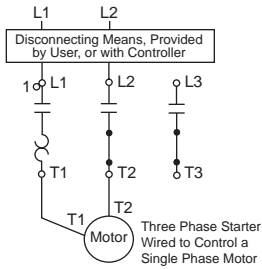
**Class 9998 Type SO1**

**Contact Units for Melting Alloy Type Overload Relays**

One normally closed contact, Class 9998 Type SO1, is provided in each overload relay block on Class 8911 Type DPS starters. Contact modules can be easily replaced and are identified in the table below. Isolated overload relay alarm circuit contacts are available as an optional feature. A pilot light or alarm bell can be wired in series with this contact to indicate that the overload relay has tripped.

| Magnetic Starter  |      | Description▲   | Parts Kit Number    |
|-------------------|------|--|---------------------|
| Ampere Size       | Type |  |                     |
| 20 A through 90 A | DPS  | Standard N.C. contact unit .....                                     | Class 9998 Type SO1 |
|                   |      | N.O. isolated alarm contact and standard N.C. overload contact ..... | Class 9998 Type SO4 |

▲ Refer to Page 11-131 for contact ratings.



**Melting Alloy Overload Relay Jumper Strap Kits**

**Melting Alloy Overload Relay Jumper Strap Kits**

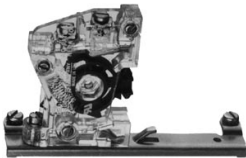
Jumper strap kits are for use on three-phase magnetic starters with melting alloy overload relays only, where a three-phase starter is used to control a single-phase motor. These kits will include two jumper straps, a wiring diagram showing how to wire a three-phase starter to control a single-phase motor, and single-phase (one thermal unit) selection tables.

| Class | For Starter       |      | Class 9998 Kit Type Number |
|-------|-------------------|------|----------------------------|
|       | Ampere Size       | Type |                            |
| ALL   | 20 A through 50 A | DPS  | SO31                       |
|       | 60 A through 90 A | DPS  | SO32                       |



# Replacement Parts Kits

## Class 9999 — Auxiliary Contacts



External  
Single Circuit  
Auxiliary Contact

### External Contacts

Class 9999 Type SX6 through Type SX10 external auxiliary contacts can be added to Type DPA123 and SYD devices. These contacts mount on either side of the basic contactor and are available with convertible or non-convertible contacts. The contacts of the convertible version can be changed from N.O. to N.C. or vice versa in the field.

See table below for electrical ratings.

### Class 8910 and 8911 Definite Purpose Contactors and Starters – Auxiliary Contacts

| Device to be Serviced<br>Class 8910 or 8911 Type | Auxiliary Contact Kit |                 |
|--|-----------------------|-----------------|
|  | Contact Arrangement   | Class 9999 Type |
| DPA*<br>DPS                                      | 1 N.O.                | D10             |
|  | 1 N.C.                | D01             |
|  | 1 N.O./1 N.C.         | D11             |
|  | 2 N.O.                | D20             |

\* Type DPA122 and DPA123 use same auxiliary contacts shown below. (Example: Class 9999 Type SX6).

| For Use With<br>Class 8910<br>Type | Kit Description                          | Class 9999<br>Type |
|------------------------------------|--|--------------------|
| DPA 123<br>SYD                     | External Field Convertible               |                    |
|                                    | 1-N.O. Contact.....                      | SX6                |
|                                    | 1-N.C. Contact.....                      | SX7                |
|                                    | 1-N.O. and 1-N.C. Isolated Contacts..... | SX8                |
|                                    | 1-N.O. Overlapping Contact.....          | SX9#               |
|                                    | 1-N.C. Overlapping Contact.....          | SX10#              |

### Class 8965 Reversing/Hoist Contactors – Auxiliary Contacts


| Device to be Serviced<br>Class 8965 Type  | Auxiliary Contact Kit |                   |                 |
|---|-----------------------|-------------------|-----------------|
|   | Contact Arrangement   | Type of Connector | Class 9999 Type |
| DPR                                       | 1 N.O.                | Screw/<br>Q. C.   | D10             |
|   | 1 N.C.                |                   | D01             |
|   | 1 N.O./1 N.C.         |                   | D11             |
|   | 2 N.O.                |                   | D20             |
| RO2 & RG2<br>RO10 Form X1<br>RO11 Form X1 | 1 N.O. each side      | Slip-on           | R10             |
| RO3 & RG3<br>RO10 Form X2<br>RO11 Form X2 | 1 N.C. each side      |                   | R11             |
| RO5 & RG5<br>RO12 Form X1<br>RO13 Form X1 | 1 N.O. each side      | Screw             | R12             |
| RO6 & RG6<br>RO12 Form X2<br>RO13 Form X2 | 1 N.C. each side      |                   | R13             |

### Maximum Ratings For Auxiliary Contacts

| Class 9999 Type | Contact Ratings |                            |        |            |
|-----------------|-----------------|----------------------------|--------|------------|
|                 | Volts AC        | AC Only (35% Power Factor) |        | Continuous |
|                 |                 | Make                       | Break  |            |
| SX6-SX10        | 120 or Less     | 60 Amps                    | 6 Amps | 10 Amps    |



Square D Company  
8001 Highway 64 East  
Knightdale, NC 27545-9023  
(919) 266-3671

Square D and  are registered trademarks of Square D Company.

Catalog No. 8910CT9301R6/97 May 1998 © 1998 Square D All Rights Reserved.  
Replaces 8910CT9301