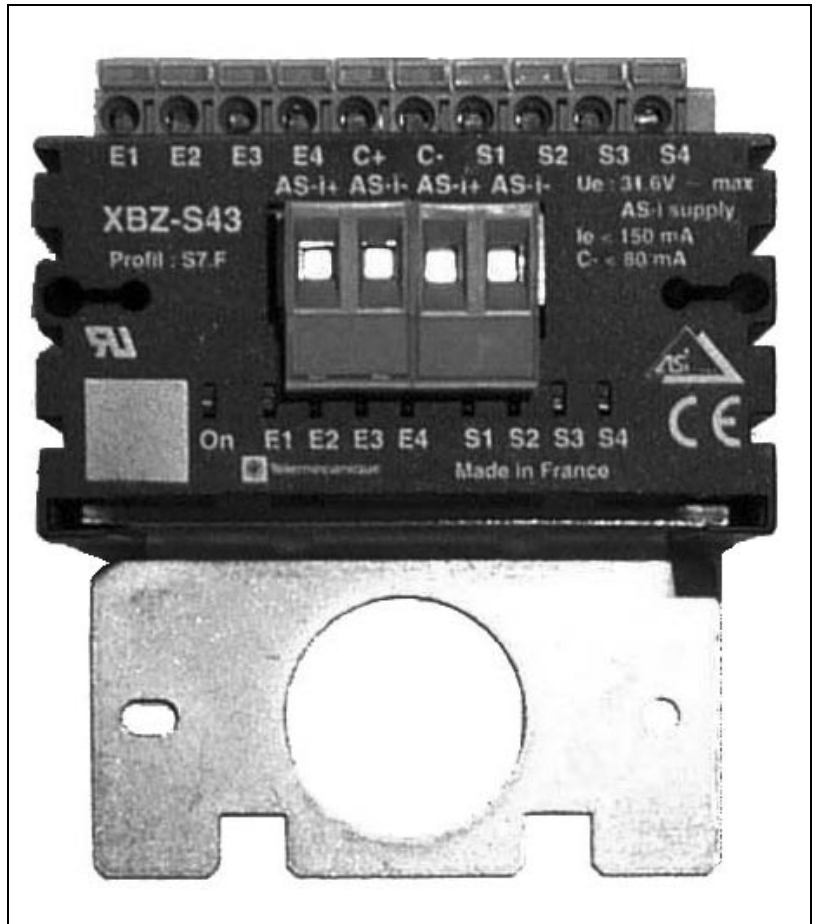


XBZS4 AS-i Interface for Push Buttons

Class 8340



CONTENTS

Description	Page
Product Description and Dimensions	2
Specifications and Environment	3



Schneider Electric Brands



XBZS4 AS-i Interface for Push Buttons

Product Information and Dimensions

Four Channel IP20 I/O Module (for 16 mm and 22 mm Push Buttons):

- IP20 rated I/O module can handle up to four push button input signals
- The module can drive up to four illuminated push button lamps or pilot light lamps
- Compact design 1.3 x 2.4 x 1.9 in. (34 x 62 x 47 mm) saves space
- LED indicators are provided for power on, each input status, and each output status
- Watchdog timeout for outputs
- Spring loaded terminal blocks for I/O simplifies the wiring
- Pluggable bus connectors allow easy bus connection and quick component changeout
- A reversible bracket is provided with each module. This bracket is suitable for mounting either one 22 mm push button or three 16 mm push buttons.
- For information on the complete offering of 16 mm and 22 mm push button components and accessories, ask your local sales office for any of the following documents:

- Square D Digest
- Square D Digest Plus
- Push Buttons and Operator Interface Specifiers Guide (Catalog No. 9001CT0001)
-



XBZS4*

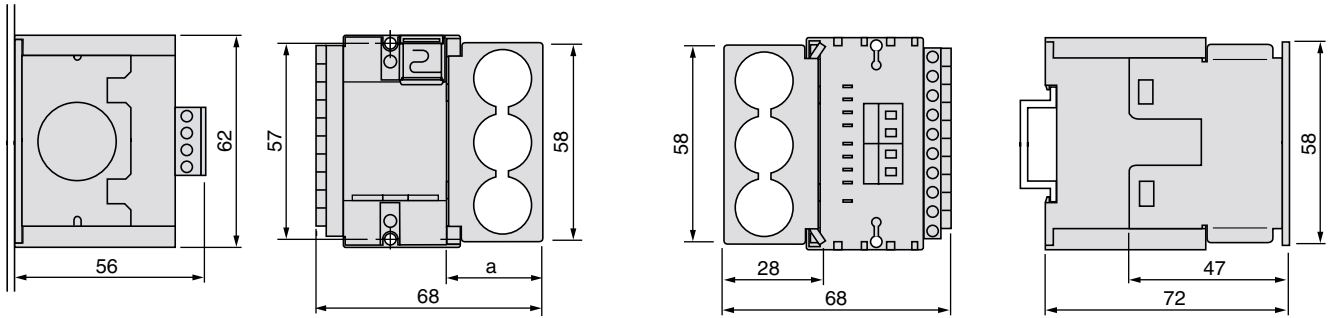


ZBZS6

Selection

Description	Signalling Mode of Illuminated Indicator	Catalog Number
IP20 I/O module, four inputs/four outputs	Steady	XBZS43
IP20 I/O module, four inputs/four outputs	Steady or flashing, depending on parameter setting	XBZS44
Accessory bracket: allows for use of three 16 mm push buttons when the XBZS4* module is DIN rail mounted (see the picture below)	—	ZBZS6

Dimensions

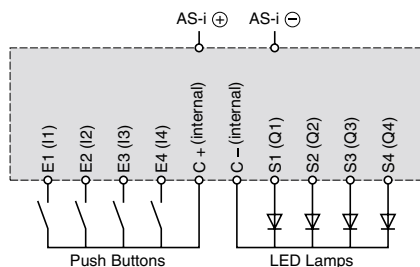


Panel Mounting with the Standard Bracket

	a
Ø 16	27
Ø 22	30

DIN Rail Mounting with the ZBZS6 Bracket

Connections



NOTE: Point C+ must only be connected to push buttons linked to inputs E1/E2/E3/E4.

NOTE: Point C- must only be connected to LED lamps linked to outputs S1/S2/S3/S4.



XBZS4 AS-i Interface for Push Buttons Specifications and Environment

Environment

Product Certifications	AS-i Association
Ambient Air Temperature	
Operating	+14 to 131 °F (–10 to +55 °C)
Storage	–40 to 158 °F (–40 to +70 °C)
Degree of Protection	IP20 (IEC 60529)
AS-i Bus Connection	Phoenix-style pluggable screw connector

Electrical Specifications

Power Supply	From the AS-i bus
Voltage Range	24–31.6 V
Current Consumption from Bus	150 mA max.
Input Contact Switching Current	2 mA at 24 Vdc
Maximum Total Output Current	80 mA
Short-Circuit Protection	80 mA
Watchdog Timeout	Outputs turn to off if no master/slave data is exchanged within 30 ms
Approvals / Markings	UL Recognized, CE

Data Exchange Specifications

AS-i Profile	S 7.F			
	Bit Designation	Module Marking		
Bit Value			0	1
Input Data Bits (Status)	D0	E1	Input contacts open	Input contacts closed
	D1	E2	Input contacts open	Input contacts closed
	D2	E3	Input contacts open	Input contacts closed
	D3	E4	Input contacts open	Input contacts closed
Output Data Bits (Commands)	D0	S1	Off	On
	D1	S2	Off	On
	D2	S3	Off	On
	D3	S4	Off	On
Parameter Bits ¹	P0	S1	Blinking when on ²	Steady when on
	P1	S2	Blinking when on ²	Steady when on
	P2	S3	Blinking when on ²	Steady when on
	P3	S4	Blinking when on ²	Steady when on

¹ The parameter bits are unused for the XBZS43 module only.

² Blinking function available on XBZS44 module only.

LED Indicator

Color	Quantity	Module Markings	Indication when Illuminated
green	1	AS-i	AS-i bus is okay
yellow	4	E1, E2, E3, E4	Inputs are on
yellow	4	S1, S2, S3, S4	Outputs are on



Square D Company
8001 Highway 64 East
Knightdale, NC 27545
1-888-SquareD
(1-888-778-2733)
www.SquareD.com

Schneider Canada Inc.
19 Waterman Avenue,
M4B 1 Y2
Toronto, Ontario
1-800-565-6699
www.schneider-electric.ca

Catalog No. 8340CT0102 July 2001 © 2001 Schneider Electric All Rights Reserved