

# XR Series SPDs

## Square D Type 1 Surge Protective Devices

Square D™ brand Surgelogic™ XR series products are compact and affordable Surge Protective Devices (SPDs). XR series SPDs offer a simple means to bring down initial surges to manageable levels and can offer additional value in a cascaded SPD system. Their compact design allows surge suppression to be installed adjacent to power panels or directly on sensitive equipment.



by Schneider Electric

# XR Series SPDs

## Features

### Superior Performance

Square D brand SurgeLogic XR series SPDs utilize high-energy suppression circuitry that can be located at any point in the electrical system. They have the flexibility to be used with or without an Overcurrent Protection Device (OCPD).

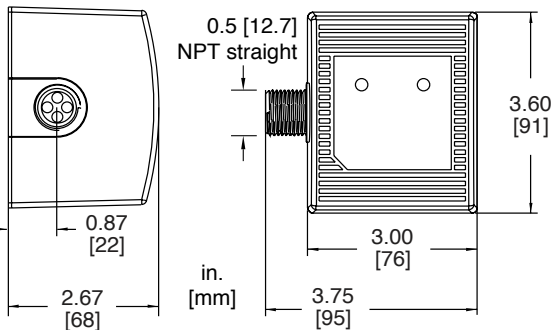
XR series SPDs provide surge suppression for equipment from severe transient activity. Each MOV is individually fused and the products carry a NEMA Type 4X rating suitable for installing indoors, outdoors, or in other harsh environments.

### Easy Installation

SurgeLogic XR series SPDs are some of the most versatile, yet compact devices available on the market today. This compact package can be mounted on an electrical panel, meter socket, or inside electrical control cabinets.

### Warranty

The XR series products warranty is 10 years.



### XR SPDs



### Mechanical Description

Enclosure	Plastic
NEMA Rating	Type 4X
Connection Method	#12 AWG, Solid
Mounting Method	Close Nipped, Side Mounted
Thermal Fusing	Yes
Overcurrent Fusing	Yes
Operating Frequency	50/60 Hz
Operating Altitude	Sea Level-12,000' (3,658 m)
Storage Temperature	-40° F to +149° F (-40° C to +65° C)
Operating Temperature	-40° F to +149° F (-40° C to +65° C)

### Diagnostics

Green status LED

### Listings and Performance

cULus Listed to 1449 3rd edition Type 1 SPD, CSA C22.2 No. 8-M1986, C233.1-87

The XR series provides high-quality surge suppression in a compact and versatile package. This product is ideal for panel builders as well as manufacturers and integrators of instrumentation cabinets for industrial, commercial, and residential applications for single-phase power systems.

Voltage	Surge Current	Configuration	Model Number	MCOV	SCCR	I <sub>n</sub>	VPR		
							L-N	L-G	L-L
120/240 V	50kA	1 Ø, 3-wire+G, side mounted	TVS120XR50S	150V L-N, L-G 300V L-L	25kA	10kA	700V	800V	1200V
120/240 V	80kA	1 Ø, 3-wire+G, side mounted	TVS120XR80S	150V L-N, L-G 300V L-L	25kA	10kA	700V	800V	1200V
120/240 V	100kA	1 Ø, 3-wire+G, side mounted	TVS120XR100S	150V L-N, L-G 300V L-L	25kA	10kA	700V	800V	1200V
120/240 V	120kA	1 Ø, 3-wire+G, side mounted	TVS120XR120S	150V L-N, L-G 300V L-L	25kA	10kA	700V	800V	1200V

Square D and SurgeLogic are trademarks or registered trademarks of Schneider Electric and/or its affiliates in the United States and/or other countries. Other marks used herein may be the property of their respective owners.

Schneider Electric USA, Inc. 1751 S. 4800 W., Salt Lake City, UT 84104, USA Telephone: (801)-977-9009 Fax: (801)-977-0200 www.surgeLogic.com

Document Number 9990-0121A

February 2011 bt

This document provided by Barr-Thorp Electric Co., Inc. 800-473-9123 www.barr-thorp.com