

# SPD II 1 Surge Protectors for Power

–Best in Class

Models for LV AC Distribution  
or DC Photovoltaic Applications

Innovative design increases the  
MOV life and operating reliability

Remote Signaling  
Options

Quick replacement with spare pluggable,  
replaceable arresters

Maximum Surge Current  
(I<sub>max</sub>) 50kA

Simpler  
Installation

No discharge  
path fuse needed  
(SCCR 200kA)

UL1449 Ed3 Approved | Type 2 protectors




Let's Connect

[www.weidmuller.com](http://www.weidmuller.com)

**Weidmüller** 

## Competitive Comparisons

Parameter/Model	Weidmüller  SPDII 1	Phoenix Valvetrab CP	Merlin Gerin Multi9	Citel DS40S	C-Bussmann BSP
Nom. Volts Range (VAC)	120-480	120-480	120-400	120-480	120-600
I <sub>max</sub> (kA)	50	40	40	40	40
Fuse needed / SCCR	No / 200kA	Yes	Yes	Yes	Yes
UL 1449 Ed 3	Yes	Yes	Yes	Yes	Yes
Width on rail (mm)	18	17.7	18	18	18
Signal range	Yes	Yes	Yes	Yes	Yes

## Availability

### LV Distribution (AC) Models

Type	Description	Part Number
SPD II 0 150V/40kA	Spare arrester 120V nom.	<b>1348330000</b>
SPD II 1 150V/40kA	SPD assembly, 1 Pole 120V nom. w/o relay	<b>1348340000</b>
SPD II 1 R 150V/40kA	SPD assembly, 1 Pole 120V nom. with relay	<b>1348350000</b>
SPD II 0 280V/40kA	Spare arrester 230V nom.	<b>1348370000</b>
SPD II 1 280V/40kA	SPD assembly, 1 Pole 230V nom. w/o relay	<b>1348380000</b>
SPD II 1 R 280V/40kA	SPD assembly, 1 Pole 230V nom. with relay	<b>1348390000</b>
SPD II 0 400V/40kA	Spare arrester 277V nom.	<b>1348400000</b>
SPD II 1 400V/40kA	SPD assembly, 1 Pole 277V nom. w/o relay	<b>1348420000</b>
SPD II 1 R 400V/40kA	SPD assembly, 1 Pole 277V nom. with relay	<b>1348430000</b>
SPD II 0 550V/40kA	Spare arrester 480V nom.	<b>1348440000</b>
SPD II 1 550V/40kA	SPD assembly, 1 Pole 480V nom. w/o relay	<b>1348450000</b>
SPD II 1 R 550V/40kA	SPD assembly, 1 Pole 480V nom. with relay	<b>1348470000</b>
QB 18-2	2P Ground Link	<b>8877540000</b>
QB 18-3	3P Ground Link	<b>8877500000</b>
QB 18-4	4P Ground Link	<b>8877520000</b>

## Information

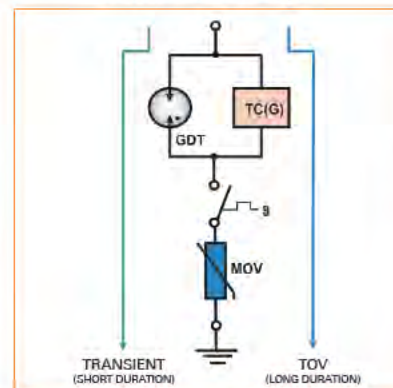
Information is available for download on the web at [www.weidmuller.com](http://www.weidmuller.com). Printed catalog versions are also available and can be ordered online.

Ref. No.	Description
LIT1308	Data sheet SPDII 1 Series

### Photovoltaic (DC) Models

Type	Description	Part Number
SPD II 0 PV 600VDC	PV Spare arrester 600V max.	<b>1348520000</b>
SPD II 2 PV 600VDC	PV SPD assembly, 2 Pole 600V max. w/o relay	<b>1348530000</b>
SPD II 2 R PV 600VDC	PV SPD assembly, 2 Pole 600V max. with relay	<b>1348540000</b>
SPD II 0 PV 1000VDC	PV Spare arrester 1000V max.	<b>1348480000</b>
SPD II 2 PV 1000VDC	PV SPD assembly, 2 Pole 1000V max. w/o relay	<b>1348490000</b>
SPD II 2 R PV 1000VDC	PV SPD assembly, 2 Pole 1000V max. with relay	<b>1348500000</b>
SPD II 0 PV 1200VDC	PV Spare arrester 1200V max.	<b>1348550000</b>
SPD II 3 PV 1200VDC	PV SPD assembly, 2 Pole 1200V max. w/o relay	<b>1348570000</b>
SPD II 3 R PV 1200VDC	PV SPD assembly, 2 Pole 1200V max. with relay	<b>1348580000</b>

## Protection Principle



GDT - gas discharge tube  
MOV - metal-oxide varistor  
TC(G) - control circuit  
9 - thermal disconnecter

For non-transient over-voltages the TC(G) circuit limits the current (to mA) and thereby isolates and protects the MOV.

### Weidmüller, Canada

10 Spy Court  
Markham, Ontario L3R 5H6  
Telephone: (800) 268-4080  
Facsimile: (877) 300-5635  
Email: [info1@weidmuller.ca](mailto:info1@weidmuller.ca)  
Website: [www.weidmuller.ca](http://www.weidmuller.ca)

### Weidmüller, Mexico

Bldv. Hermanos Serdán 698,  
Col. San Rafael Oriente  
Puebla, Puebla, Mexico  
C.P. 72029  
Telephone: 01 222 2686267  
Facsimile: 01 222 2686219  
Email: [clientes@weidmuller.com.mx](mailto:clientes@weidmuller.com.mx)  
Website: [www.weidmuller.com.mx](http://www.weidmuller.com.mx)

### Weidmüller, United States

821 Southlake Blvd.  
Richmond, Virginia 23236  
Telephone: (800) 849-9343  
Facsimile: (804) 379-2593  
Email: [info@weidmuller.com](mailto:info@weidmuller.com)  
Website: [www.weidmuller.com](http://www.weidmuller.com)